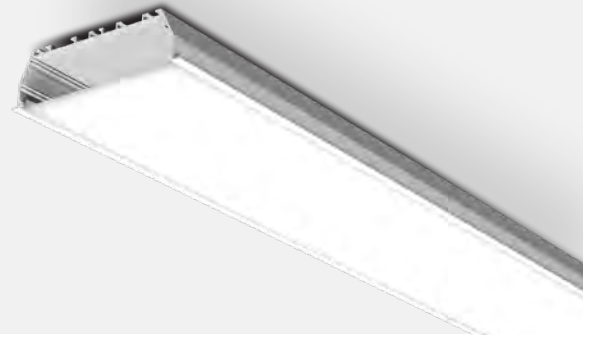




# Recessed Mounted DR45162



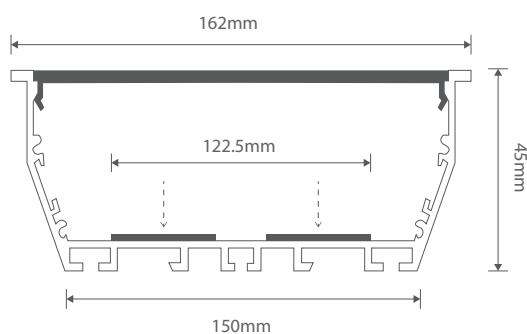
## Description

DR45162 is a Recessed Mounted LED Extrusion Profile, designed for LED strips up to 50mm width. It is made from high-quality Aluminum. These Extrusions provide superior thermal management for higher wattage LED strips. They also prolong the lifespan of the lighting system. The End caps protect the LED Aluminum Extrusion from dust and other undesirable elements.

## Technical details

Model	Power	Luminous flux	Luminous efficacy
	25.92W/m	3110 lm/m	
DR45162	37.44W/m	4492 lm/m	120 lm/W
	38.88W/m	4665 lm/m	

## Technical drawing



## Accessories



Profile



Endcaps



Clips

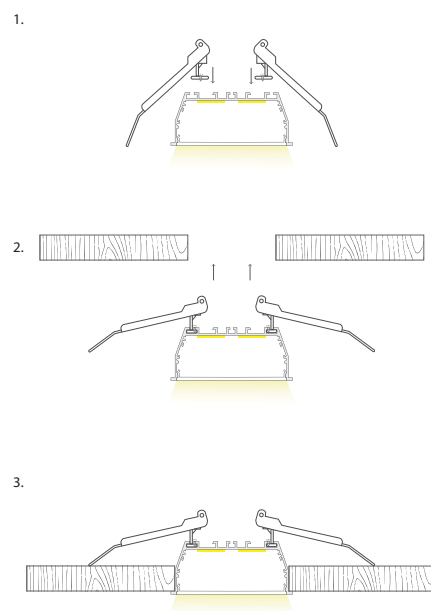
## Finish colors



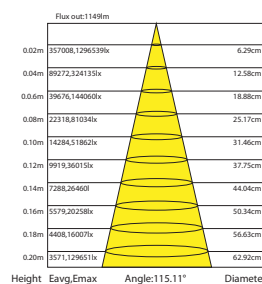
## Product Features

- Polycarbonate diffuser provides uniform light distribution
- Wide lighting angle and easy maintenance
- Suitable for higher power LED strips
- Available in white, gold, black and silver color
- 0-1/10, dali dimming, tunable white (optional)
- Length : 1250mm / 2500mm (standard)
- IP rating : IP20 / IP40

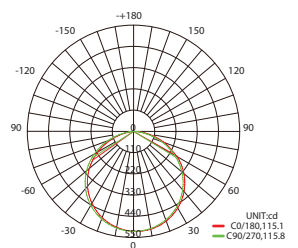
## Installation



## Diagrams



Light distribution curve



Photometric Diagram