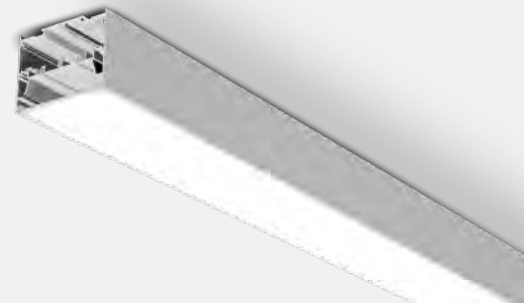




Suspended/Surface Mounted DP75100



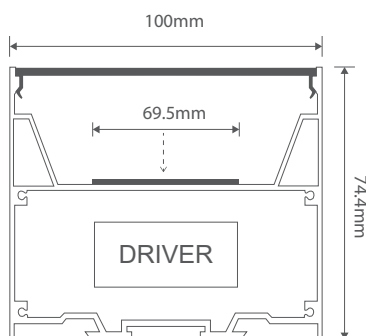
Description

DP75100 is a Suspended / Surface Mounted LED Extrusion profile, designed for LED strips up to 50mm width. It is made from high-quality Aluminum. These Extrusions provide superior thermal management for higher wattage LED strips. They also prolong the lifespan of the lighting system. The internal part of the DP75100 has an isolated space chamber to conceal the LED power supplies and cables from sight.

Technical details

Model	Power	Luminous flux	Luminous efficacy
DP75100	21.6W/m	2592 lm/m	120 lm/W
	25.92W/m	3110 lm/m	
	37.44W/m	4492 lm/m	
	38.88W/m	4665 lm/m	

Technical drawing



Accessories



Profile



Pendant kit



Endcaps



Clips

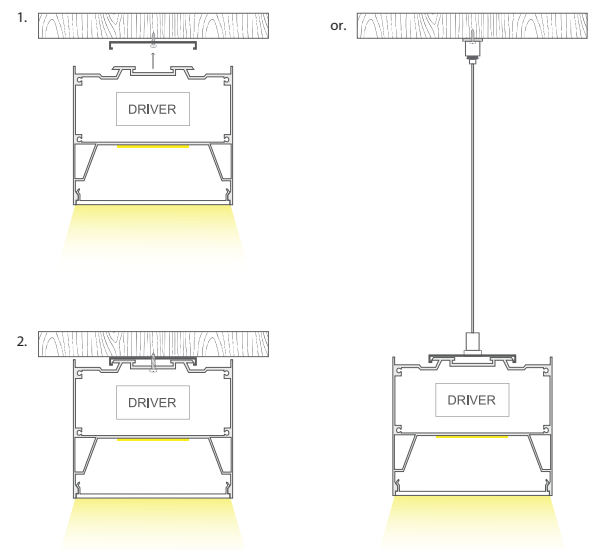
Finish colors



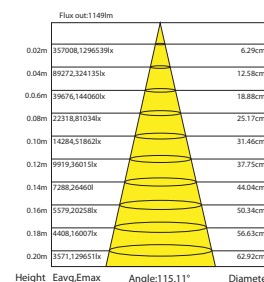
Product Features

- Polycarbonate diffuser provides uniform light distribution
- Wide lighting angle and easy maintenance
- Suitable for higher power LED strips
- Contemporary design, Suspended or Surface mounted
- Available in white, gold, black and silver color
- 0-1/10V dimming, dali dimming, tunable white (optional)
- Length : 1200mm / 2400mm (standard)
- IP rating : IP20 / IP40

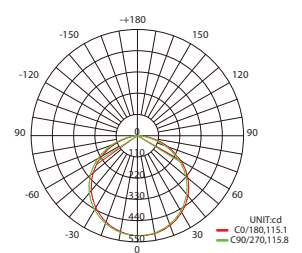
Installation



Diagrams



Light distribution curve



Photometric Diagram