



Apricum® LP

FLOODLIGHTS



Also Available in RGB CCT

Description

Apricum LP, LED Floodlight, uses SMD LEDs for outdoor applications. Housing is made of Die-Casted Aluminum with powder coating. Luminaire uses tempered glass with high transparency rate.

Product Features

- SMD LEDs
- Built-in LED driver
- High purity aluminum reflector
- 180° adjustable steel bracket
- Available in RGB and RGB/RGBW DMX as well
- Working temperature: -40°C to 55°C
- IP rating: IP65
- Life-span: 50,000 hours

Electrical Specifications

- Rated Supply Voltage: 220-240V/24VDC
- Frequency: 50/60Hz

Applications



Facade Lighting



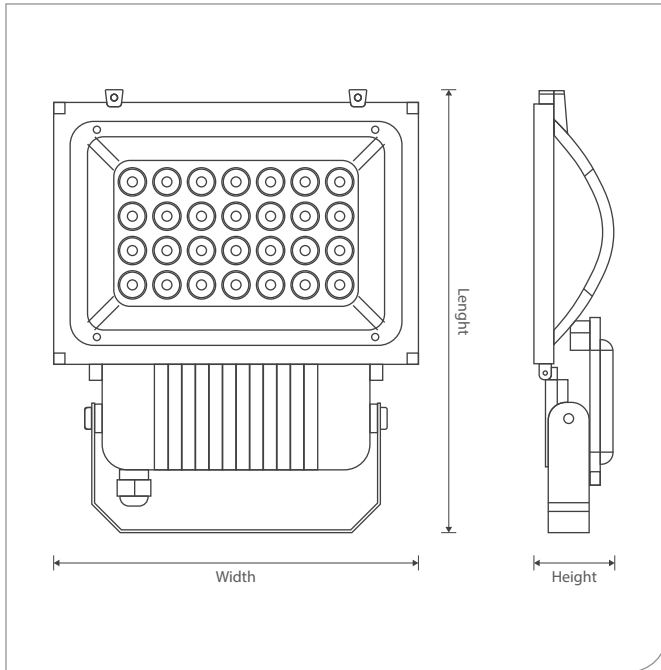
Sign Boards



Gardens



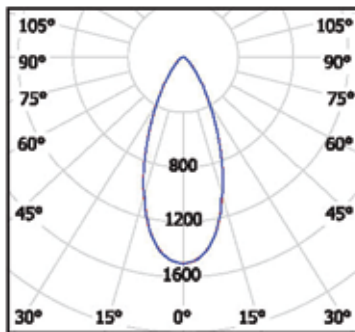
Technical Drawing



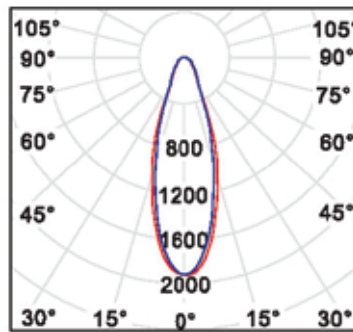
Dimensions

Model	Length	Width	Height
DUAPLP-20	338mm	156mm	59mm
DUAPLP-30	338mm	156mm	59mm
DUAPLP-50	338mm	280mm	59mm
DUAPLP-80	444mm	353mm	66mm
DUAPLP-100	444mm	353mm	66mm
DUAPLP-160	515mm	420mm	87mm
DUAPLP-180	515mm	420mm	87mm
DUAPLP-200	515mm	420mm	87mm

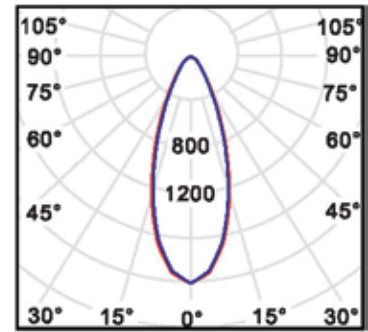
Photometric Diagrams



DUAPLP-50



DUAPLP-80 / 100



DUAPLP-160 / 180 / 200

Technical Specifications

Model	Power [W]	LED type	Luminous flux [lm]	Luminous efficacy [lm/W]	CCT [K]	Beam angle	CRI [Ra]
DUAPLP-20	20W	High Power SMD LEDs	1840 lm	92 lm/W	3000K 4500K 6500K RGB RGBW	60°	>75
DUAPLP-30	30W		2800 lm	93 lm/W			
DUAPLP-50	50W		4750 lm	95 lm/W			
DUAPLP-80	80W		7745 lm	96 lm/W			
DUAPLP-100	100W		9700 lm	97 lm/W			
DUAPLP-160	160W		16320 lm	102 lm/W			
DUAPLP-180	180W		18715 lm	104 lm/W			
DUAPLP-200	200W		20685 lm	104 lm/W			