

Du<sup>o</sup>  
Light دولایت

*Redefining light*

Duo<sup>®</sup>  
Light دولایت

*Redefining light*

[www.dulights.com](http://www.dulights.com)

# HISTORY

---

It all began when we started providing high-quality lighting solutions that meet the market's requirements in 1998. In that same year, we started selling all sorts of lighting products and accessories to our clients, by consulting and guiding them to choose the most optimal lighting solution that fits their needs and wants.

Due to our cooperation with OSRAM in 2004; we started providing energy-efficient and high-performance luminaries, HIDs, LEDs and Control Gears to Iraq's market. Our company became the exclusive distributor of high branded lighting system solutions and wiring accessories in Iraq. Moreover, our company has also become the exclusive distributor for TRIDONIC products, which includes; control gears, ballasts and transformers.

After 15 years of experience throughout Iraq and Dubai; we have decided to establish a factory in Jebel Ali Freezone (JAFZA) in order to manufacture lighting display systems. Soon after the establishment; Dulight FZE started to focus on creating high-quality LED products that are environmentally friendly and efficient. During this time, we employed more than 50 employees throughout our branches in Iraq, UAE and the Far East.

The company is manufacturing all sorts of LED products. Its usage ranges from residential and retail to commercial and industrial applications. Our product portfolio includes a wide variety of Floodlights, Streetlights, Highbays, Spotlights, Downlights, Grid lamps, Track lights, Panel lights, Led Strips, LED decorative luminaries, Weatherproof fittings, LED Linear Profiles and many more. We support our clients with lighting Dialux design & Lux calculations. We will continue to support, train and develop our distribution network to deliver the best sales and service advice to our customers in the farthest corners of the region.

Furthermore, we have successfully took over many prestigious projects in UAE, Bahrain, Kuwait, KSA, Tanzania, Oman, Kenya, Saudi & Iraq; we have also gained customer confidence and loyalty in a short span of time.





### **Environmental focus**

With the world shifting more towards sustainability and efficiency; we have decided to raise awareness to this aspect by supplying LED products that are effective but efficient at the same time in terms of money and energy consumption. This is shown mainly through our smart solutions.



### **Adaptability**

We develop our products in a way where it can adapt under all kinds of unstable weather conditions. They are well tailored to the Middle East's weather conditions and work well in extreme heat, dust, rain and humid environments.



### **Quality & Guarantee**

We tend to focus mainly on the product's quality throughout all of the product life cycle; starting from the development phase all the way to the maturity stage. Thus, we produce; high-quality light products, cost effective solutions, and offer three years standard warranty.



### **An actual manufacturer**

Being a part of the production industry, gives us great control over our supply chain as we are responsible for our products from beginning to end. Thus, this makes us a real manufacturer as we are the ones who are exporting.

# Contents

003-165	Linear Lighting System
167-186	Spotlights
189-218	Downlights
221-228	Tracklights
231-234	Panel Lights
237-248	Floodlights
251-252	Highbays
255-268	Streetlights
271-274	Canopy Lights
277-281	Bulkheads
283-288	Weatherproof Lights
291-330	Landscape Lights
333-338	Emergency and Exit Light
341-344	Decorative Lights
347-350	Gypsum Lights
353-362	Grow Light
365-390	Smart Solutions
393-425	Switches
427-429	Certificates



SWITCHES

SMART SOLUTIONS

GROW LIGHT

GYPSON LIGHTS

DECORATIVE LIGHTS

EMERGENCY LIGHT

LANDSCAPE LIGHTS

WEATHERPROOF LIGHTS

BULKHEADS

CANDORY LIGHTS

STREET LIGHTS

HIGHWAYS

FLOODLIGHTS

PANEL LIGHTS

TRACKLIGHTS

DOWNLIGHTS

SPOTLIGHTS

LINEAR LIGHTING SYSTEM



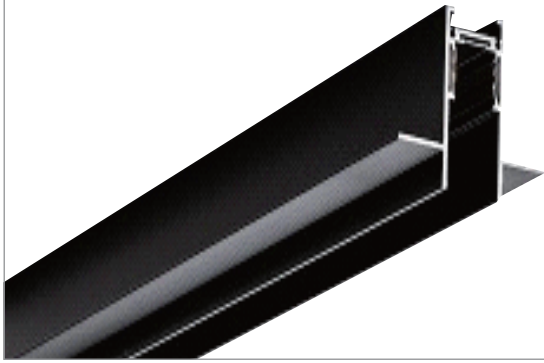
# LINEAR LIGHTING SYSTEM



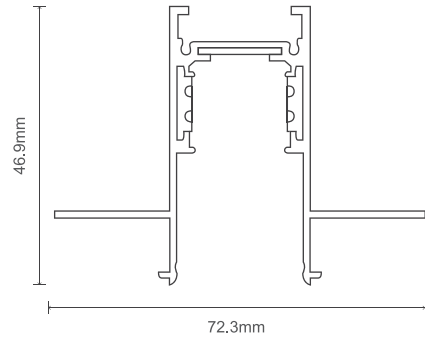
# MAGNETIC TRACK SYSTEM

The Magnetic Track System is a low voltage, multi-purpose system with various lighting solutions, including, Spot Lights, Track Lights, Pendant Lights and Linear Lights. It can be installed both vertically and horizontally; recessed, surfaced and hanging.

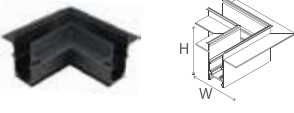


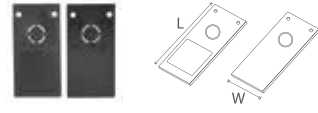
# Recessed Track



DU-MG-TR-RM



## Accessories

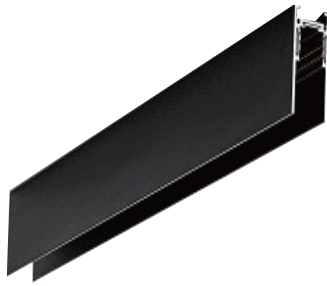
 <p><b>DU-TR-RM-CC</b> Corner Connector (W) 72.3mm x (H) 46.9mm</p>	 <p><b>DU-TR-RM-WC</b> Wall to Ceiling Corner Connector (W) 72.3mm x (H) 46.9mm</p>	 <p><b>DU-TR-RM-TC</b> T Connector (W) 72.3mm x (H) 46.9mm</p>	 <p><b>DU-TR-RM-EC</b> End Cap (L) 52.1mm x (W) 27.5mm</p>
--	--	--	---

## Connectors

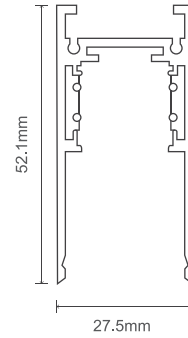
 <p><b>DU-TR-RM-C01</b> Mechanical Connector</p>	 <p><b>DU-TR-RM-E00</b> Electrical Power Connector (L) 125mm x (W) 16.3mm x (H) 18.2mm</p>	 <p><b>DU-TR-RM-E01</b> Electrical Joint Connector (L) 138mm x (W) 16mm x (H) 17.8mm</p>	 <p><b>DU-TR-RM-E02</b> Electrical Joint Corner Connector (L) 125mm x (W) 16.3mm x (H) 18.2mm</p>	 <p><b>DU-TR-RM-E03</b> Electrical Multiple Joint Connector (L) 125mm x (W) 16.3mm x (H) 18.2mm</p>
---	---	---	---	--

## Installation

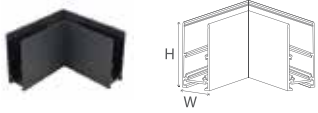

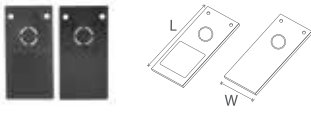
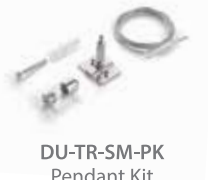
# Surface Track



DU-MG-TR-SM



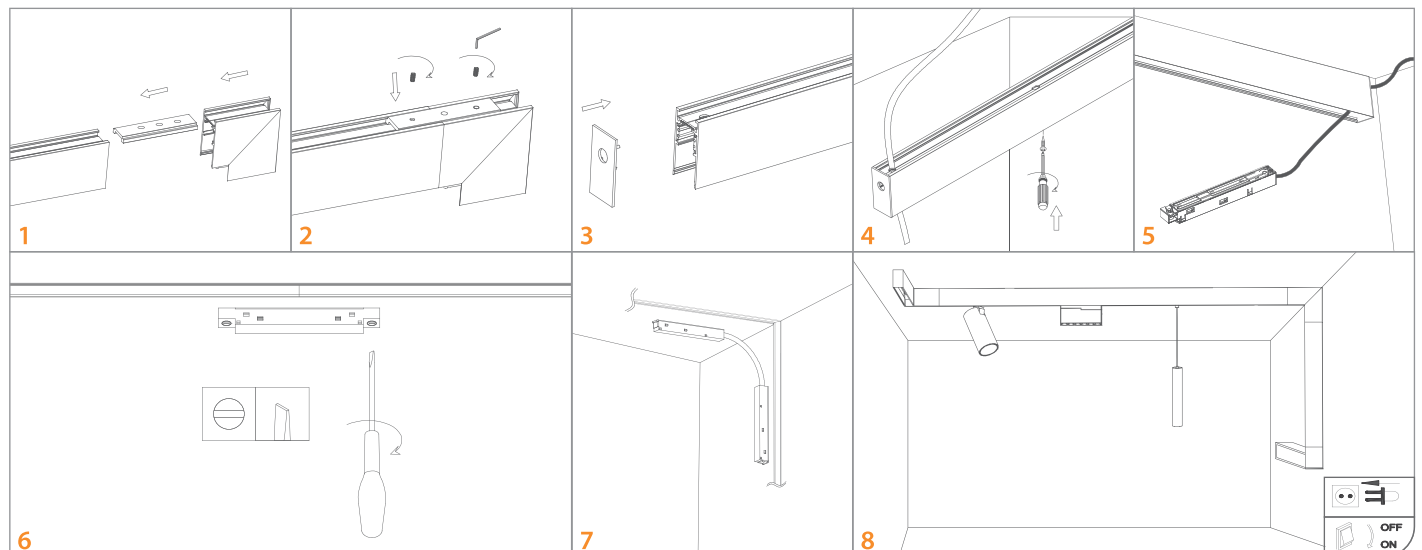
## Accessories

 <p><b>DU-TR-SM-CC</b> Corner Connector (W) 27.5mm x (H) 52.1mm</p>	 <p><b>DU-TR-SM-WC</b> Wall to Ceiling Corner Connector (W) 27.5mm x (H) 52.1mm</p>	 <p><b>DU-TR-SM-EC</b> Endcap (L) 46.9mm x (W) 27.5mm</p>	 <p><b>DU-TR-SM-PK</b> Pendant Kit</p>
---	--	---	---

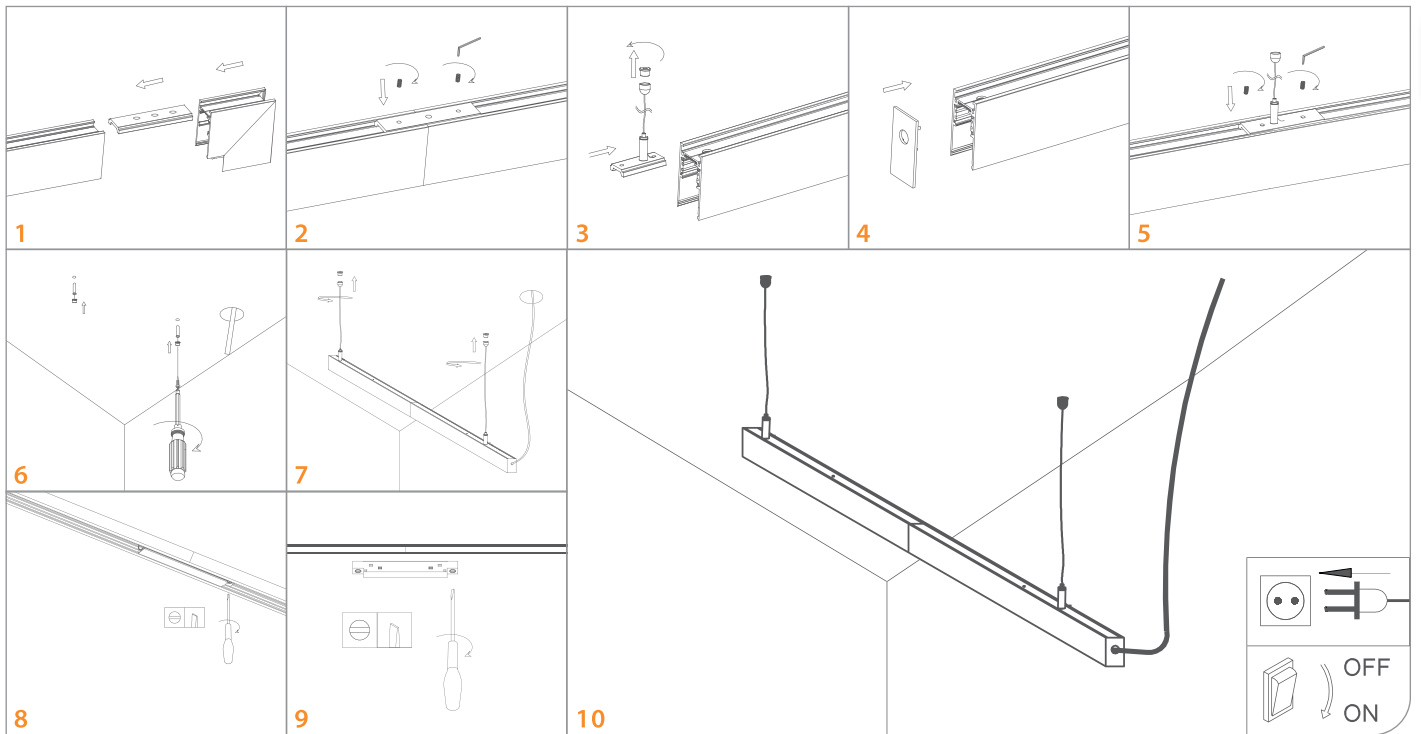
## Connectors

 <p><b>DU-TR-SM-C01</b> Mechanical Connector</p>	 <p><b>DU-TR-SM-E00</b> Electrical Power Connector (L) 125mm x (W) 16.3mm x (H) 18.2mm</p>	 <p><b>DU-TR-SM-E01</b> Electrical Joint Connector (L) 138mm x (W) 16mm x (H) 17.8mm</p>	 <p><b>DU-TR-SM-E02</b> Electrical Joint Corner Connector (L) 125mm x (W) 16.3mm x (H) 18.2mm</p>	 <p><b>DU-TR-SM-E03</b> Electrical Multiple Joint Connector (L) 125mm x (W) 16.3mm x (H) 18.2mm</p>
---	---	---	---	--

## Surface Installation



## Pendant Installation



### Magnetic LED driver

DuLight Magnetic LED driver has integrated power, silence and worry-free on complicated locks. The installation process is fast and easy.

#### Product Features

- Safe and durable
- Material: Die-cast aluminum
- IP Rating: IP20
- Life Span: 50,000 hours
- Finish : Black



#### Technical Specifications

Model	Power	Input	Length	Width	Height
DU-DR-MG-100	100W	220-240V	230mm	20mm	50mm
DU-DR-MG-200	200W	220-240V	300mm	20mm	50mm



Model	Power [W]	Luminous Flux (lm)	Dimension [LxWxH]
DU-MG-LN-10W-300	10W	900 lm	300 x 22 x 25mm
DU-MG-LN-15W-450	15W	1350 lm	450 x 22 x 25mm
DU-MG-LN-20W-600	20W	1800 lm	600 x 22 x 25mm
DU-MG-LN-30W-900	30W	2700 lm	900 x 22 x 25mm

### Magnetic LED Linear Light

Magnetic LED Linear Light uses SMD LEDs for indoor applications. Housing is made of Die-cast aluminum material.

#### Product Features

- SMD LEDs
- Installation: Track Mounted
- Material: Die-cast aluminum
- IP Rating: IP20
- Life Span: 50,000 hours

90lm/W Luminous Efficacy	OPTIONAL	OPTIONAL
48VDC Input	100° Beam Angle	3000K 4000K 6500K CCT



Model	Power [W]	Luminous Flux (lm)	Dimension [LxWxH]
DU-MG-SP-6W-112	6W	540 lm	112 x 22 x 25mm
DU-MG-SP-12W-220	12W	1080 lm	220 x 22 x 25mm
DU-MG-SP-18W-330	18W	1620 lm	330 x 22 x 25mm
DU-MG-SP-24W-440	24W	2160 lm	440 x 22 x 25mm

### Magnetic LED Spot Light

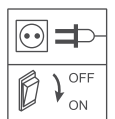
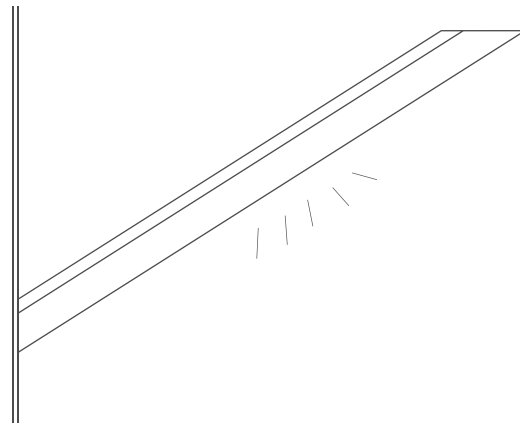
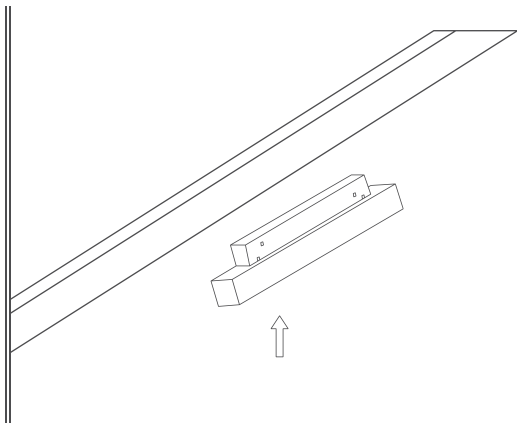
Magnetic LED Spot Light uses SMD LEDs for indoor applications. Housing is made of Die-cast aluminum material.

#### Product Features

- SMD LEDs
- Installation: Track Mounted
- Material: Die-cast aluminum
- IP Rating: IP20
- Life Span: 50,000 hours

90lm/W Luminous Efficacy	OPTIONAL	OPTIONAL
48VDC Input	24°/40° Beam Angle	3000K 4000K 6500K CCT

### Installation



Model	Power [W]	Luminous Flux (lm)	Dimension [D x H]
DU-MG-PN-6W	6W	540 lm	Ø30 x 300mm
DU-MG-PN-10W	10W	900 lm	Ø40 x 300mm

### Magnetic LED Pendant Light

Magnetic LED Pendant Light uses COB LED for indoor applications. Housing is made of Die-cast aluminum material.

#### Product Features

- COB LED
- Installation: Track Mounted
- Material: Die-cast aluminum
- IP Rating: IP20
- Life Span: 50,000 hours

90lm/W Luminous Efficacy	OPTIONAL	OPTIONAL
48VDC Input	15°/24°/36° Beam Angle	3000K 4000K 6500K CCT



Model	Power [W]	Luminous Flux (lm)	Dimension [LxWxH]
DU-MG-SPAJ-6W-112	6W	540 lm	112 x 22 x 110mm
DU-MG-SPAJ-12W-220	12W	1080 lm	220 x 22 x 110mm

### Magnetic Adjustable LED Spot Light

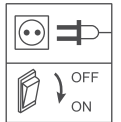
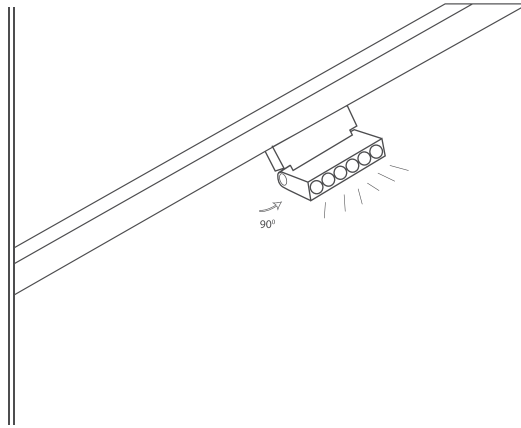
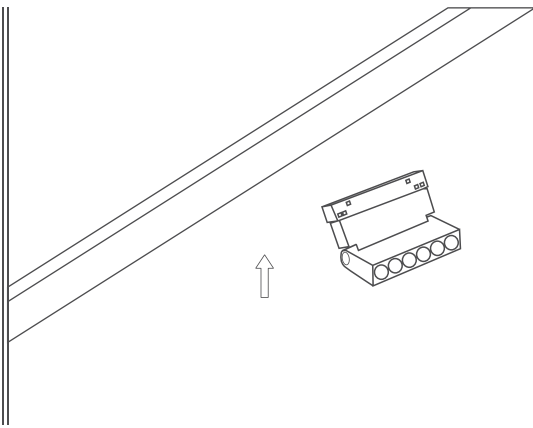
Magnetic Adjustable LED Spot Light uses SMD LEDs for indoor applications. Housing is made of Die-cast aluminum material.

#### Product Features

- SMD LEDs
- Installation: Track Mounted
- Material: Die-cast aluminum
- IP Rating: IP20
- Life Span: 50,000 hours

<p>90lm/W Luminous Efficacy</p>	<p>OPTIONAL</p>	<p>OPTIONAL</p>
<p>48VDC Input</p>	<p>24°/40° Beam Angle</p>	<p>3000K 4000K 6500K CCT</p>

#### Installation



Model	Power [W]	Luminous Flux (lm)	Dimension [LxWxH]
DU-MG-LNSP-6W-120	6W	540 lm	120 x 22 x 60mm
DU-MG-LNSP-12W-220	12W	1080 lm	220 x 22 x 60mm
DU-MG-LNSP-18W-320	18W	1620 lm	320 x 22 x 60mm

### Magnetic Linear LED Spot Light

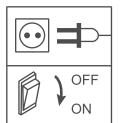
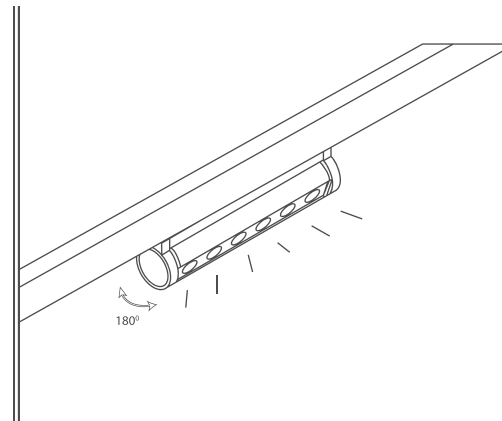
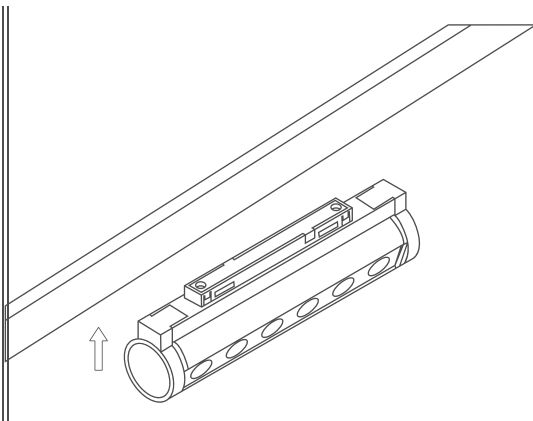
Magnetic Linear LED Spot Light uses SMD LEDs for indoor applications. Housing is made of Die-cast aluminum material.

#### Product Features

- SMD LEDs
- Installation: Track Mounted
- Material: Die-cast aluminum
- IP Rating: IP20
- Life Span: 50,000 hours

<p>90lm/W Luminous Efficacy</p>	<p>OPTIONAL</p>	<p>OPTIONAL</p>
<p>48VDC Input</p>	<p>24°/40° Beam Angle</p>	<p>3000K 4000K 6500K CCT</p>

#### Installation





Model	Power [W]	Luminous Flux (lm)	Dimension [Diameter]
DU-MG-TR-7W	7W	630 lm	Ø35mm
DU-MG-TR-12W	12W	1080 lm	Ø45mm
DU-MG-TR-18W	18W	1620 lm	Ø60mm
DU-MG-TR-24W	24W	2160 lm	Ø80mm

## Magnetic LED Track Light

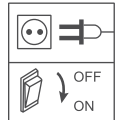
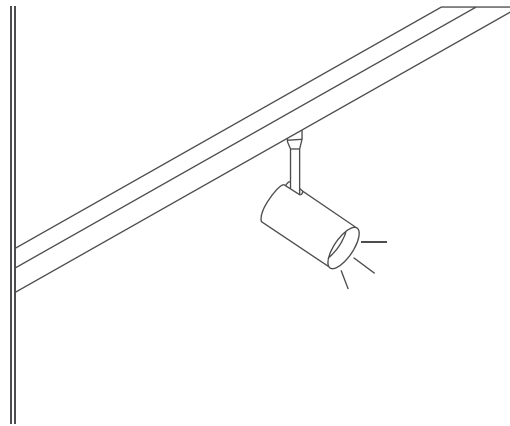
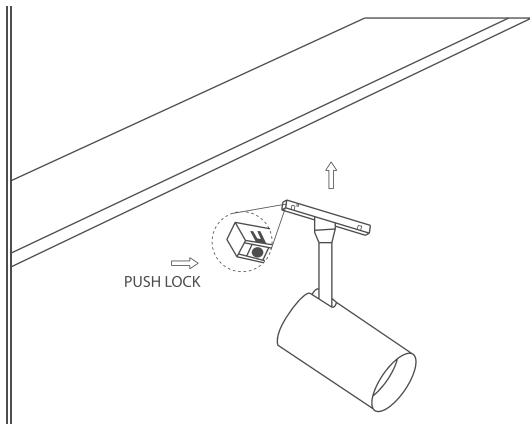
Magnetic LED Track Light uses COB LED for indoor applications. Housing is made of Die-cast aluminum material.

### Product Features

- COB LED
- Installation: Track Mounted
- Material: Die-cast aluminum
- IP Rating: IP20
- Life Span: 50,000 hours

 90lm/W Luminous Efficacy	 OPTIONAL	 OPTIONAL
 48VDC Input	 15°/24°/36° Beam Angle	 3000K 4000K 6500K CCT

### Installation



Model	Power [W]	Luminous Flux (lm)	Dimension [Diameter]
DU-MG-PNDeco-7W-201	7W	630 lm	Ø80mm
DU-MG-PNDeco-7W-202	7W	630 lm	Ø105mm
DU-MG-PNDeco-7W-301	7W	630 lm	Ø60mm
DU-MG-PNDeco-7W-401	7W	630 lm	Ø300mm

## Magnetic Decorative LED Pendant Light

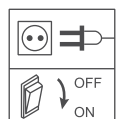
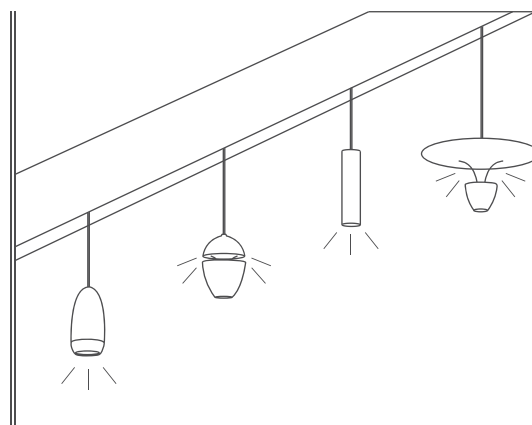
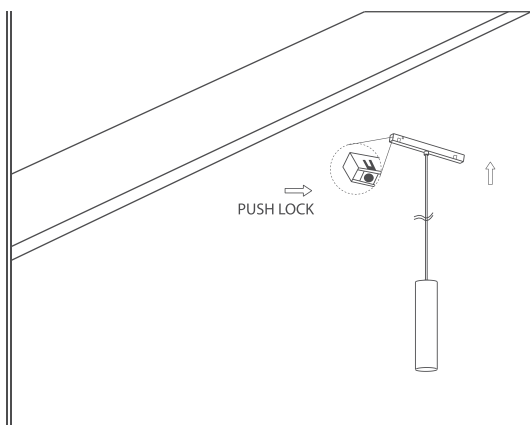
Magnetic Decorative LED Pendant Light uses COB LED for indoor applications. Housing is made of Die-cast aluminum material.

### Product Features

- COB LED
- Installation: Track Mounted
- Material: Die-cast aluminum
- IP Rating: IP20
- Life Span: 50,000 hours

 90lm/W Luminous Efficacy	 OPTIONAL	 OPTIONAL
 48VDC Input	 15°/24°/36° Beam Angle	 3000K 4000K 6500K CCT

### Installation







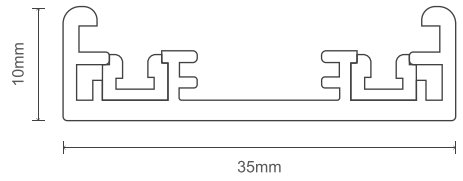
# MAGNETIC T35 TRACK SYSTEM

Magnetic T35 Track System is a low voltage track with aluminum housing; no tools are required, as the adapters of the light fixture are installed using magnets; which gives the user flexibility to combine them in a variety of ways. This will then be powered by an DC48V transformer for the whole track system.

# Recessed / Surface Track



DU-TR-T35-1m  
DU-TR-T35-2m  
DU-TR-T35-3m



## Accessories

**DU-TR-T35-END**  
Side Cover  
(L) 35mm x (W) 10mm x (H) 6.8mm

**DU-TR-T35-E01**  
External Drive Conductor  
(L) 77mm x (W) 35mm x (H) 20mm

**DU-TR-T35-T01**  
Linear Link Connector  
(L) 32mm x (W) 40mm x (H) 12mm

**DU-TR-T35-L01**  
Corner Connector  
(L) 62mm x (W) 62mm x (H) 18mm

**DU-TR-35-J01**  
Vertical Corner Connector  
(L) 45mm x (W) 32mm x (H) 12mm

**DU-TR-35-E02B**  
Track Cover  
(L) 62mm x (W) 34mm x (H) 31mm

## Magnetic LED driver



## Technical Specifications

Model	Power	Input	Length	Width	Height
DU-DR-MG35-100	100W	220-240V	230mm	20mm	50mm
DU-DR-MG35-200	200W	220-240V	300mm	20mm	50mm



Model	Power [W]	Beam Angle	Dimension [DxH]
DU-MGT35-PNDeco-7W-101	7W	15°/24°/36°	Ø80mm x 90mm
DU-MGT35-PNDeco-7W-102	7W	40°	Ø80mm x 98mm
DU-MGT35-PNDeco-7W-201	7W	15°/24°/36°	Ø75mm x 79mm
DU-MGT35-PNDeco-7W-202	7W	40°	Ø75mm x 90mm
DU-MGT35-PNDeco-7W-301	7W	15°/24°/36°	Ø75mm x 89mm

### Magnetic T35 Decorative LED Pendant Light

Magnetic T35 LED Pendant Light uses COB LED for indoor applications. Housing is made of Die-cast aluminum material.

#### Product Features

- COB LED
- Installation: Track Mounted
- Material: Die-cast aluminum
- IP Rating: IP20
- Life Span: 50,000 hours

 90lm/W Luminous Efficacy	 OPTIONAL	 OPTIONAL
 48VDC Input	 630lm Luminous Flux	 3000K 4000K 6500K CCT



Model	Power [W]	Luminous Flux (lm)	Dimension [DxH]
DU-MGT35-TR-6W	6W	540 lm	Ø35 x 80mm
DU-MGT35-TR-12W	12W	1080 lm	Ø45 x 100mm
DU-MGT35-TR-18W	18W	1620 lm	Ø60 x 120mm
DU-MGT35-TR-24W	24W	2160 lm	Ø80 x 130mm

### Magnetic T35 LED Track Light

Magnetic LED Track Light uses COB LEDs for indoor applications. Housing is made of Die-cast aluminum material.

#### Product Features

- COB LED
- Installation: Track Mounted
- Material: Die-cast aluminum
- IP Rating: IP20
- Life Span: 50,000 hours

 90lm/W Luminous Efficacy	 OPTIONAL	 OPTIONAL
 48VDC Input	 15°/24°/36° Beam Angle	 3000K 4000K 6500K CCT



Model	Power [W]	Luminous Flux (lm)	Dimension [LxWxH]
DU-MGT35-10W	10W	900 lm	332 x 35 x 24mm
DU-MGT35-20W	20W	1800 lm	597 x 35 x 24mm
DU-MGT35-30W	30W	2700 lm	864 x 35 x 24mm

### Magnetic T35 LED Spot Light

Magnetic LED Spot Light uses SMD LEDs for indoor applications. Housing is made of Die-cast aluminum material.

#### Product Features

- SMD LEDs
- Installation: Track Mounted
- Material: Die-cast aluminum
- IP Rating: IP20
- Life Span: 50,000 hours

 90lm/W Luminous Efficacy	 OPTIONAL	 OPTIONAL
 48VDC Input	 15°/24°/36° Beam Angle	 3000K 4000K 6500K CCT



Model	Power [W]	Luminous Flux (lm)	Dimension [DxH]
DU-MGT35-SPAJ-6W-128	6W	540 lm	128 x 35 x 59mm
DU-MGT35-SPAJ-12W-236	12W	1080 lm	236 x 34 x 59mm
DU-MGT35-SPAJ-18W-343	18W	1620 lm	343 x 34 x 59mm
DU-MGT35-SPAJ-24W-452	24W	2160 lm	452 x 34 x 59mm

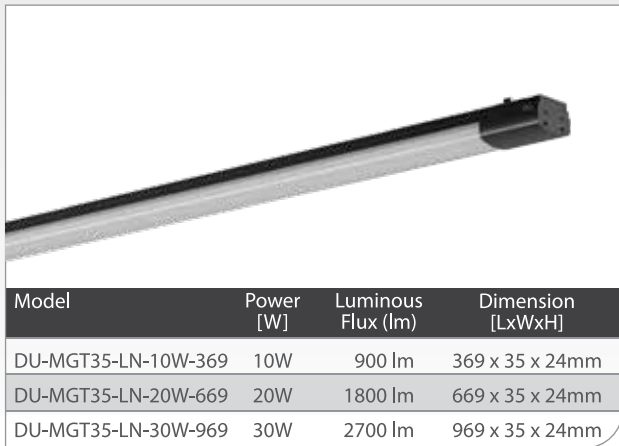
### Magnetic T35 Adjustable LED Spot Light

Magnetic T35 Adjustable LED Spot Light uses SMD LEDs for indoor applications. Housing is made of Die-cast aluminum material.

#### Product Features

- SMD LEDs
- Installation: Track Mounted
- Material: Die-cast aluminum
- IP Rating: IP20
- Life Span: 50,000 hours

 90lm/W Luminous Efficacy	 OPTIONAL	 OPTIONAL
 48VDC Input	 15°/24°/36° Beam Angle	 3000K 4000K 6500K CCT



### Magnetic T35 LED Linear Light

Magnetic T35 LED Linear Light uses SMD LEDs for indoor applications. Housing is made of Die-cast aluminum material.

#### Product Features

- SMD LEDs
- Installation: Track Mounted
- Material: Die-cast aluminum
- IP Rating: IP20
- Life Span: 50,000 hours

<p>90lm/W Luminous Efficacy</p>	<p>OPTIONAL</p>	<p>OPTIONAL</p>
<p>48VDC Input</p>	<p>100° Beam Angle</p>	<p>3000K 4000K 6500K CCT</p>



### Magnetic T35 LED Pendant Light

Magnetic T35 LED Pendant Light uses COB LED for indoor applications. Housing is made of Die-cast aluminum material.

#### Product Features

- COB LED
- Installation: Track Mounted
- Material: Die-cast aluminum
- IP Rating: IP20
- Life Span: 50,000 hours

<p>90lm/W Luminous Efficacy</p>	<p>OPTIONAL</p>	<p>OPTIONAL</p>
<p>48VDC Input</p>	<p>15°/24°/36° Beam Angle</p>	<p>3000K 4000K 6500K CCT</p>



# DP

Pendant Linear Lighting Series



# DR

Recessed Linear Lighting Series



# DS

Surface Linear Lighting Series



# DSP

Special Application Linear Lighting Series



High-quality Extruded Aluminum



High-quality PC diffuser with light transmittance up to 85%



End caps & Screws Providing easy installation



0-1/10V Dimming



IP20/ IP40



50,000 hours

## 017-056 Linear Lighting System

Linear Lighting Systems are designed in a linear form factor and can be used for various lighting applications, such as Architectural Lighting; Task Lighting, Accent Lighting and more. Linear Lighting Systems offer benefits, such as energy efficiency; long lifespan, low maintenance costs and versatility in the design. They are also highly customizable, with the option to choose from different color temperatures, beam angles and dimming options

## 057-086 Slim Linear Profile

Slim Linear Profiles are a type of Linear Lighting Systems that are characterized by their slim and compact design. They are typically narrow in width, making them suitable for installations in tight spaces or in areas where a low profile is desired. Slim Linear Profiles can be used for a variety of lighting applications, such as Under-Cabinet Lighting; Display Case and Cove Lighting. Slim Linear Profiles are a popular choice for both residential and commercial lighting projects, due to their sleek and unobtrusive design.

## 087-116 Special Application

Special Application Profiles are engineered to meet the unique requirements of a particular lighting project, such as waterproofing for outdoor use; heat resistance for high-temperature environments, or increased durability for industrial settings. Special Application Profiles are customized to deliver optimal performance in a specific environment and may present additional features or protective coatings to enhance their durability and longevity.

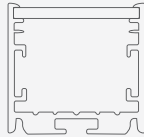


# Linear Lighting System

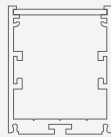
## Suspended



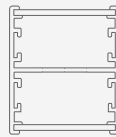
DP2525



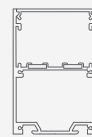
DP3535



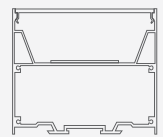
DP5543



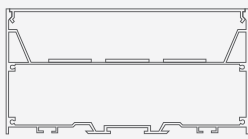
DP6051



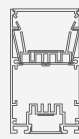
DP7550



DP75100



DP75100



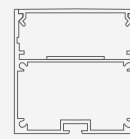
DP9050



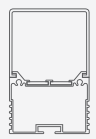
DPT6060



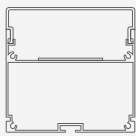
DPT10086



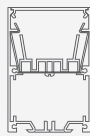
DP5050



DP6038



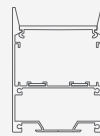
DP6565



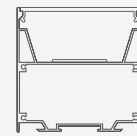
DP7525



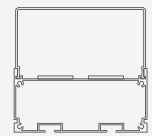
DP7534



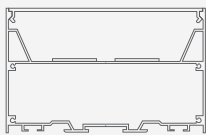
DP7555



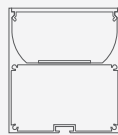
DP7575



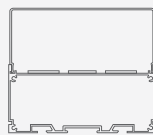
DP7580



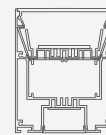
DP75120



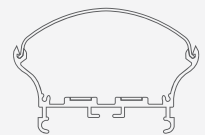
DP8070



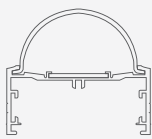
DP80100



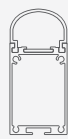
DP9575



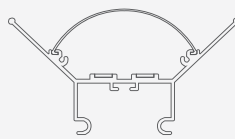
DP5672



DP5260



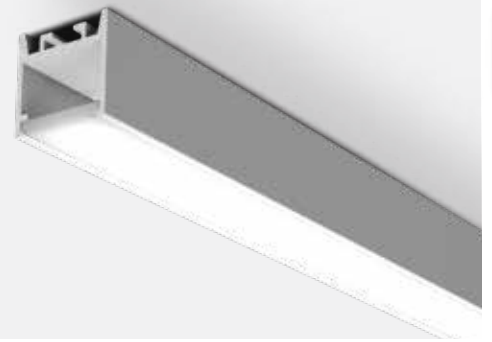
DP5525



DP60110



# Suspended DP2525



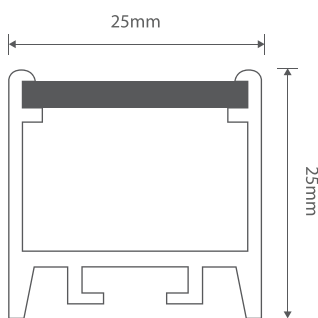
## Description

DP2525 is a Suspended LED Extrusion Profile, designed for LED strips up to 22mm width. It is made from high-quality Aluminum. These extrusions provide a prolonged lifespan of the lighting system. DP2525 LED Profile can be used for many different purposes; one of these purposes is the need to use Flexible Profiles that can adapt to certain bends and irregular shapes in a certain lighting scenario.

## Technical details

Model	Power	Luminous flux	Luminous efficacy
DP2525	4.8W/m	480 lm/m	100 lm/W
	9.6W/m	960 lm/m	
	14.4W/m	1440 lm/m	120 lm/W
	21.6W/m	2592 lm/m	
	25.92W/m	3110 lm/m	

## Technical drawing



## Accessories



Profile

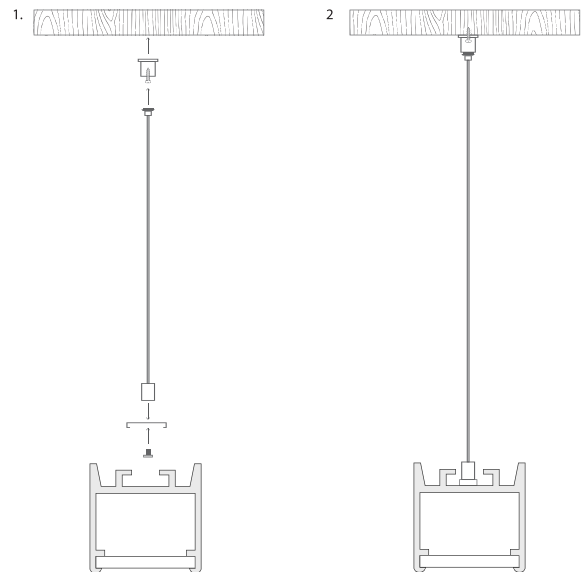
## Finish colors



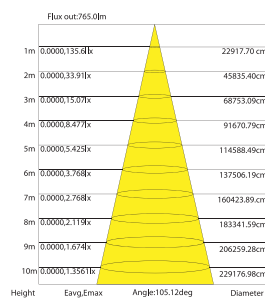
## Product Features

- Polycarbonate diffuser provides uniform light distribution
- Wide lighting angle and easy maintenance
- Available in white, gold, black and silver color
- 0-1/10V dimming, dali dimming, tunable white (optional)
- Length : 1000mm / 2000mm (standard)
- IP rating : IP20 / IP40

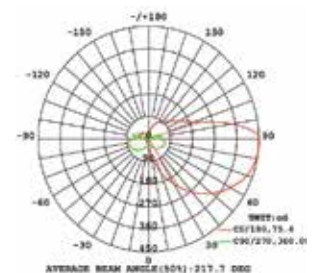
## Installation



## Diagrams



Light distribution curve



Photometric Diagram

# Suspended DP3535



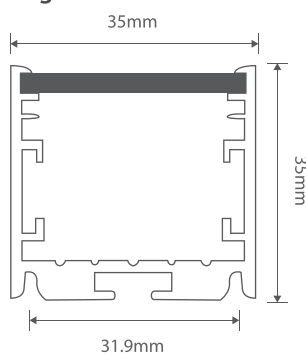
## Description

DP3535 is a Suspended LED Extrusion Profile, designed for LED strips upto 28mm width. It is made from high-quality Aluminum. These Extrusions provide a prolonged lifespan of the lighting system. DP3535 LED Profile can be used for many different purposes; one of these purposes is the need to use Flexible Profiles that can adapt to certain bends and irregular shapes in a certain lighting scenario.

## Technical details

Model	Power	Luminous flux	Luminous efficacy
DP3535	4.8W/m	480 lm/m	100 lm/W
	9.6W/m	960 lm/m	
	14.4W/m	1440 lm/m	
	21.6W/m	2592 lm/m	120 lm/W
	25.92W/m	3110 lm/m	
	38.88W/m	4665 lm/m	

## Technical drawing



## Accessories



Profile

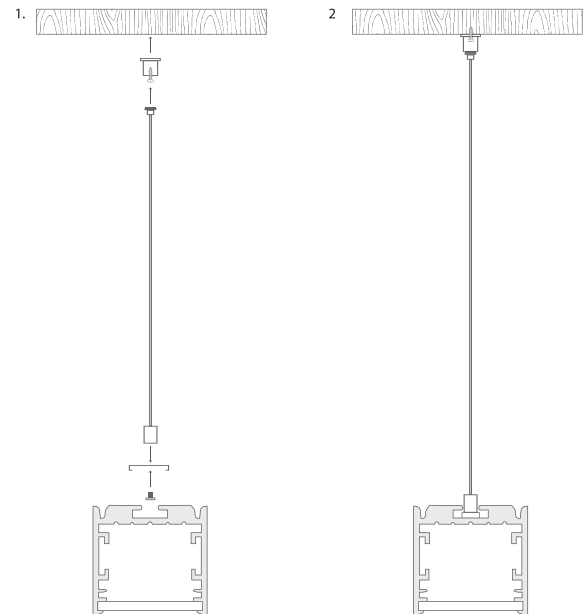
## Finish colors



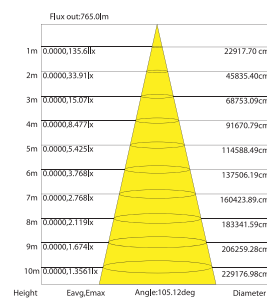
## Product Features

- Polycarbonate diffuser provides uniform light distribution
- Wide lighting angle and easy maintenance
- Available in white, gold, black and silver color
- 0-1/10V dimming, dali dimming, tunable white (optional)
- Length : 1000mm / 2000mm (standard)
- IP rating : IP20 / IP40

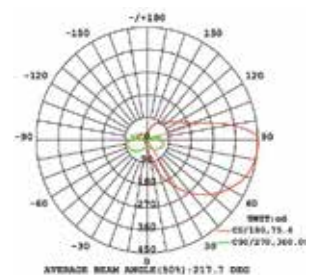
## Installation



## Diagrams



Light distribution curve



Photometric Diagram

# Suspended DP5543



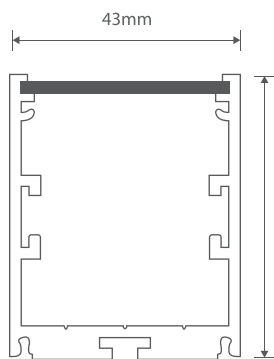
## Description

DP5543 is a Suspended LED Extrusion Profiles designed for LED strips up to 28mm width. It is made from high-quality Aluminum. These Extrusions provide a prolonged lifespan of the lighting system. DP5543 LED Profile can be used for many different purposes; one of these purposes is the need to use Flexible Profiles that can adapt to certain bends and irregular shapes in a certain lighting scenario.

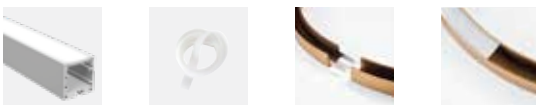
## Technical details

Model	Power	Luminous flux	Luminous efficacy
	21.6W/m	2592 lm/m	
DP5543	25.92W/m	3110 lm/m	120 lm/W
	38.88W/m	4665 lm/m	

## Technical drawing



## Accessories



Profile

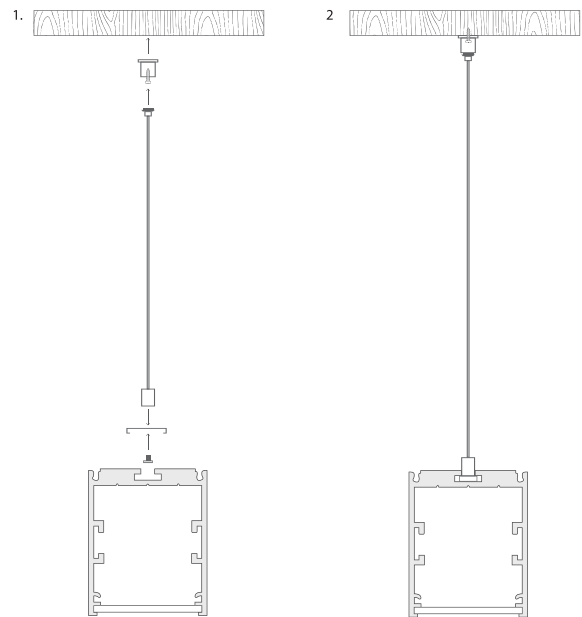
## Finish colors



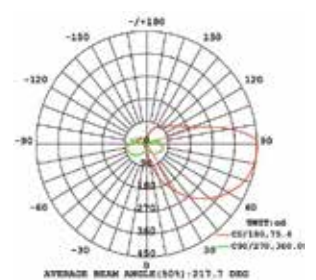
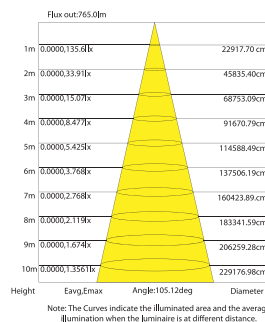
## Product Features

- Polycarbonate diffuser provides uniform light distribution
- Wide lighting angle and easy maintenance
- Available in white, gold, black and silver color
- 0-1/10V dimming, dali dimming, tunable white (optional)
- Length : 1000mm / 2000mm (standard)
- IP rating : IP20 / IP40

## Installation



## Diagrams



Light distribution curve

Photometric Diagram



Suspended/Surface Mounted

# DP7550



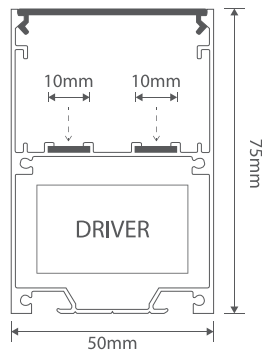
## Description

DP7550 is a Suspended / Surface Mounted LED Extrusion Profile, designed for LED strips up to 10mm width. It is made from high-quality Aluminum. These Extrusions provide a prolonged lifespan of the lighting system. The internal part of the DP7550 has an isolated space chamber to conceal the LED power supplies and cables from sight.

## Technical details

Model	Power	Luminous flux	Luminous efficacy
	4.8W/m	480 lm/m	
DP7550	9.6W/m	960lm/m	100 lm/W
	14.4W/m	1440lm/m	

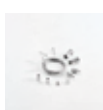
## Technical drawing



## Accessories



Profile



Pendant kit



Endcaps



Clips

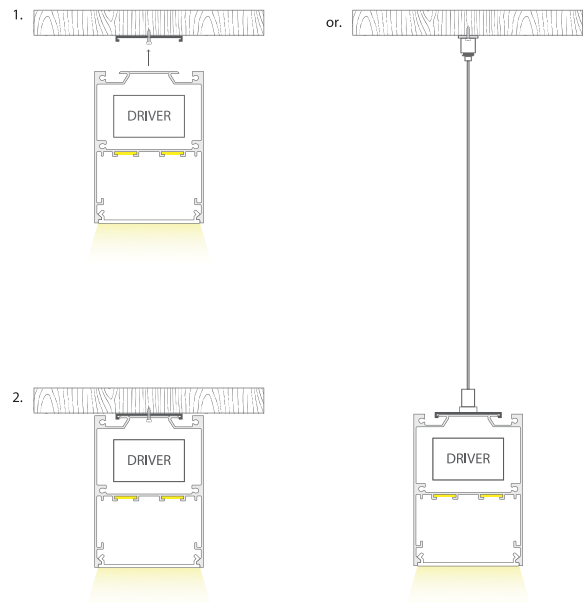
## Finish colors



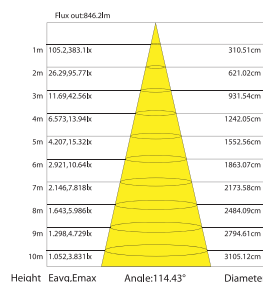
## Product Features

- Polycarbonate diffuser provides uniform light distribution
- Wide lighting angle and easy maintenance
- Contemporary design, Suspended or Surface mounted
- Available in white, gold, black and silver color
- 0-1/10V dimming, dali dimming, tunable white (optional)
- Length : 1200mm / 2400mm (standard)
- IP rating : IP20 / IP40

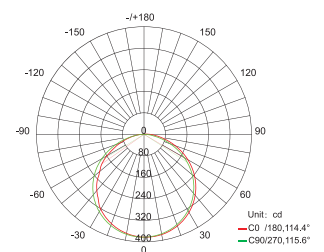
## Installation



## Diagrams



Light distribution curve



Photometric Diagram

# Suspended/Surface Mounted DP75100



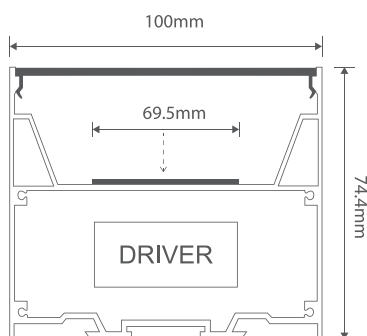
## Description

DP75100 is a Suspended / Surface Mounted LED Extrusion profile, designed for LED strips up to 50mm width. It is made from high-quality Aluminum. These Extrusions provide superior thermal management for higher wattage LED strips. They also prolong the lifespan of the lighting system. The internal part of the DP75100 has an isolated space chamber to conceal the LED power supplies and cables from sight.

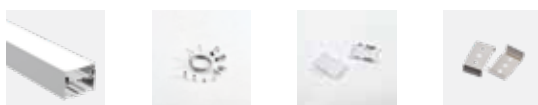
## Technical details

Model	Power	Luminous flux	Luminous efficacy
DP75100	21.6W/m	2592 lm/m	120 lm/W
	25.92W/m	3110 lm/m	
	37.44W/m	4492 lm/m	
	38.88W/m	4665 lm/m	

## Technical drawing



## Accessories



Profile    Pendant kit    Endcaps    Clips

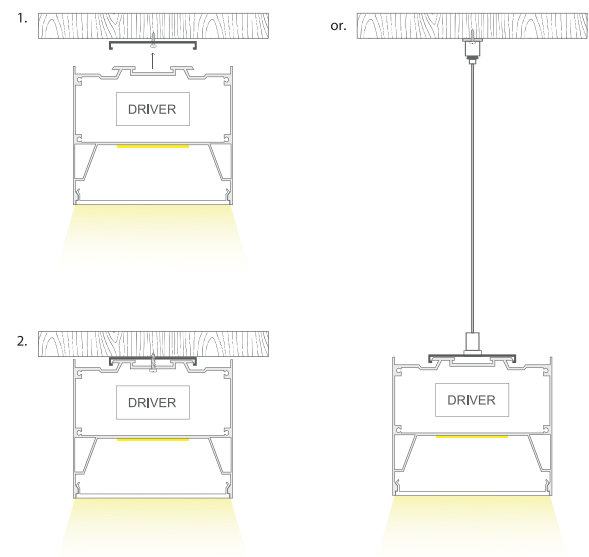
## Finish colors



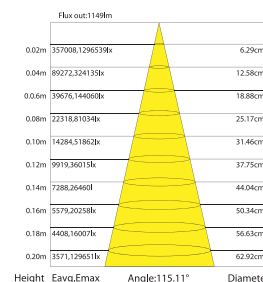
## Product Features

- Polycarbonate diffuser provides uniform light distribution
- Wide lighting angle and easy maintenance
- Suitable for higher power LED strips
- Contemporary design, Suspended or Surface mounted
- Available in white, gold, black and silver color
- 0-1/10V dimming, dali dimming, tunable white (optional)
- Length : 1200mm / 2400mm (standard)
- IP rating : IP20 / IP40

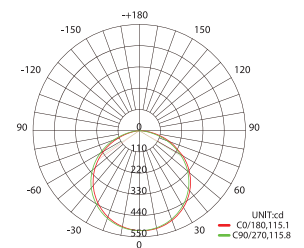
## Installation



## Diagrams



Light distribution curve



Photometric Diagram

# Suspended/Surface Mounted DP75150



## Description

DP75150 is a Suspended / Surface Mounted LED Extrusion Profile, designed for LED strips up to 50mm width. It is made from high-quality Aluminum. These Extrusions provide superior thermal management for higher wattage LED strips. They also prolong the lifespan of your lighting system. The internal part of the DP75150 has an isolated space chamber to conceal the LED power supplies and cables from sight.

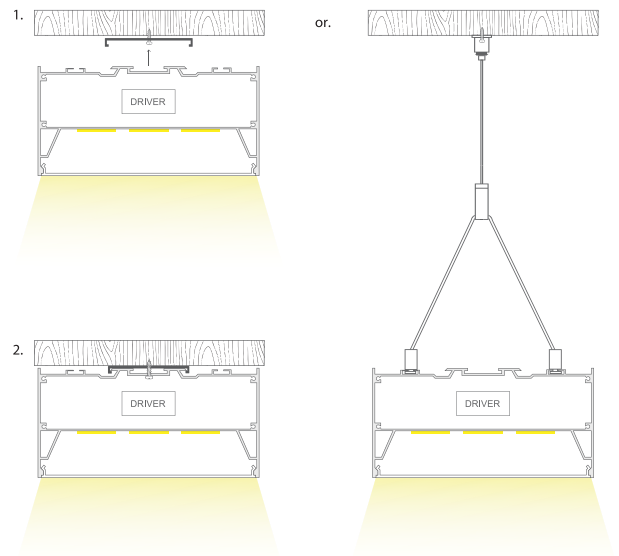
## Product Features

- Polycarbonate diffuser provides uniform light distribution
- Wide lighting angle and easy maintenance
- Suitable for higher power LED strips
- Contemporary design, Suspended or Surface mounted
- Available in white, gold, black and silver color
- 0-1/10V dimming, dali dimming, tunable white (optional)
- Length : 120mm / 2400mm (standard)
- IP rating : IP20 / IP40

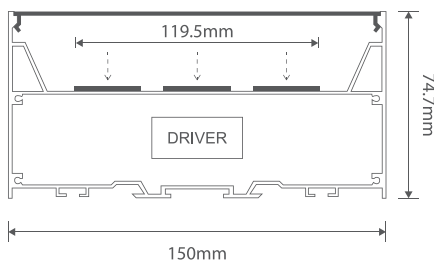
## Technical details

Model	Power	Luminous flux	Luminous efficacy
	25.92W/m	3110 lm/m	
DP75150	37.44W/m	4492 lm/m	120 lm/w
	38.88W/m	4665 lm/m	

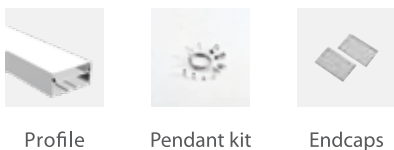
## Installation



## Technical drawing



## Accessories

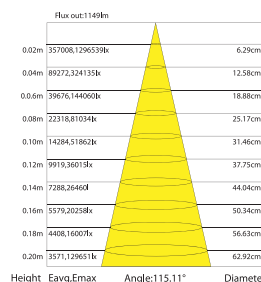


Profile      Pendant kit      Endcaps

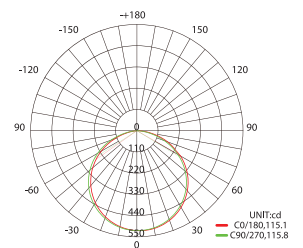
## Finish colors



## Diagrams



Light distribution curve



AVERAGE BEAM ANGLES: 115.4 DEG

Photometric Diagram

# Suspended DP9050



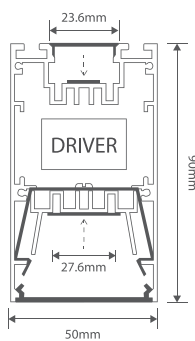
## Description

DP9050 is a up and down Suspended LED Extrusion Profile, designed for LED strips up to 22mm width. It is made from high-quality Aluminum. These Extrusions provide prolonged lifespan of the lighting system. The internal part of the DP9050 has an isolated space chamber to conceal the LED power supplies and cables from sight.

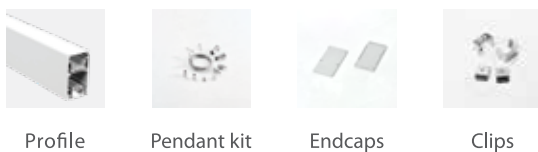
## Technical details

Model	Power	Luminous flux	Luminous efficacy
DP9050	4.8W/m	480 lm/m	100 lm/W
	9.6W/m	960 lm/m	
	14.4W/m	1440 lm/m	120 lm/W
	21.6W/m	2592 lm/m	
	25.92W/m	3110 lm/m	

## Technical drawing



## Accessories



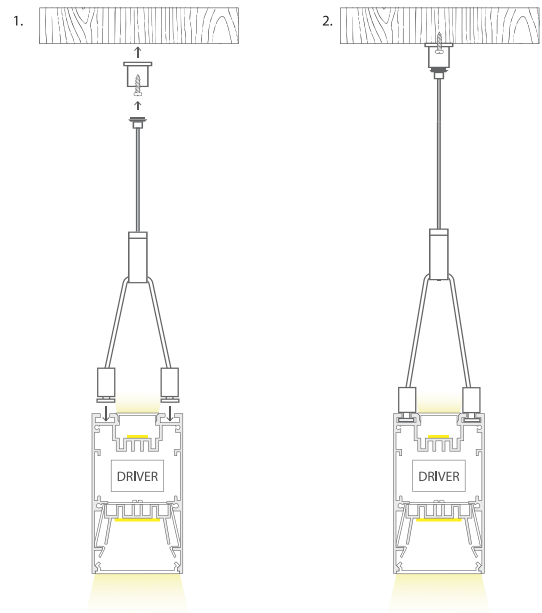
## Finish colors



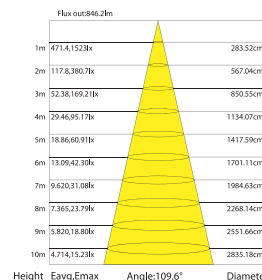
## Product Features

- Polycarbonate diffuser provides uniform light distribution
- Wide lighting angle and easy maintenance
- Double sided illumination surface
- Available in white, gold, black and silver color
- 0-1/10V dimming, dali dimming, tunable white (optional)
- Length : 1200mm / 2400mm (standard)
- IP rating : IP20 / IP40

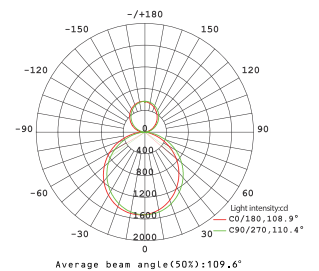
## Installation



## Diagrams

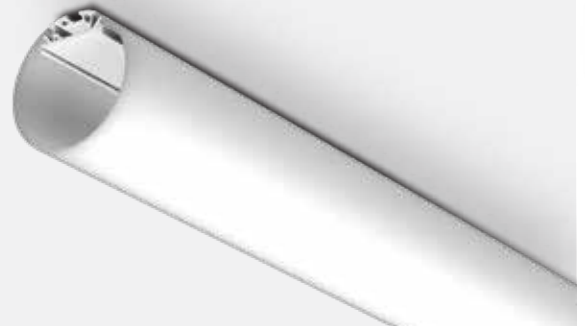


Light distribution curve



Photometric Diagram

# Suspended DPT6060



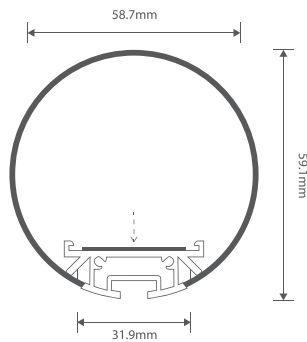
## Description

DPT6060 is a Suspended, circular shape Profile, designed for LED strips up to 28mm width. The Profile is made from anodized Aluminum and comes with polycarbonate diffuser. End caps protect the LED Aluminum Extrusion from dust and other undesirable elements.

## Technical details

Model	Power	Luminous flux	Luminous efficacy
DPT6060	4.8W/m	480 lm/m	100 lm/W
	9.6W/m	960 lm/m	
	14.4W/m	1440 lm/m	
	21.6W/m	2592 lm/m	120 lm/W
	25.92W/m	3110 lm/m	
	38.88W/m	4665 lm/m	

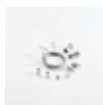
## Technical drawing



## Accessories



Profile



Pendant kit



Endcaps

## Finish colors



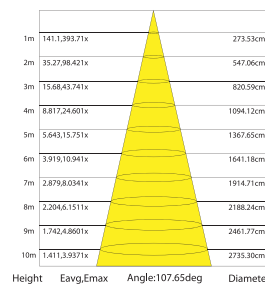
## Product Features

- Polycarbonate diffuser provides uniform light distribution
- Wide lighting angle and easy maintenance
- Available in white, gold, black and silver color
- 0-1/10V dimming, dali dimming, tunable white (optional)
- Length : 1800mm / 3600mm (standard)
- IP rating : IP20 / IP40

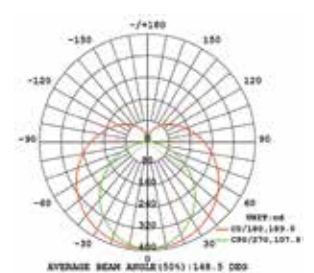
## Installation



## Diagrams

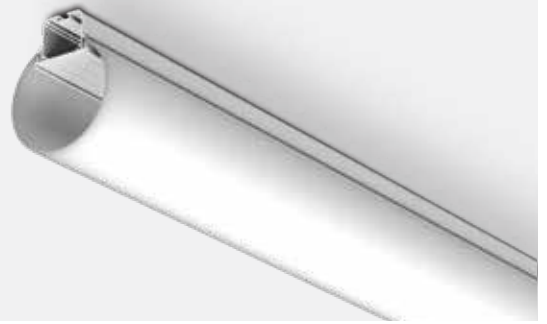


Light distribution curve



Photometric Diagram

# Suspended/Surface Mounted DPT10086



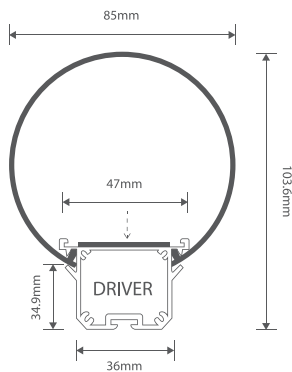
## Description

DPT10086 is a Suspended or Surface Mounted circular shape Profile, designed for LED strips up to 28mm width. The Profile is made from anodized Aluminum and comes with polycarbonate diffuser. The internal part of the DPT10086 has an isolated space chamber made to conceal the LED power supplies and cables from sight.

## Technical details

Model	Power	Luminous flux	Luminous efficacy
	21.6W/m	2592 lm/m	
DPT10086	25.92W/m	3110 lm/m	120 lm/w
	38.88W/m	4665 lm/m	

## Technical drawing



## Accessories



Profile



Pendant kit



Endcaps

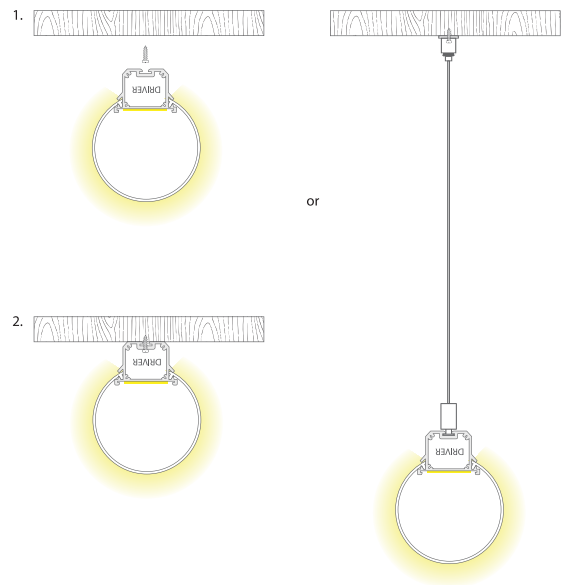
## Finish colors



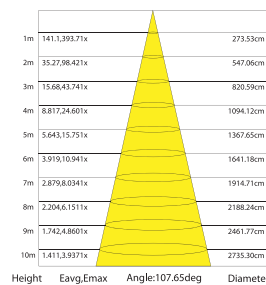
## Product Features

- Polycarbonate diffuser provides uniform light distribution
- Wide lighting angle and easy maintenance
- Available in white, gold, black and silver color
- 0-1/10V dimming, dali dimming, tunable white (optional)
- Length : 1200mm / 2400mm (standard)
- IP rating : IP20 / IP40

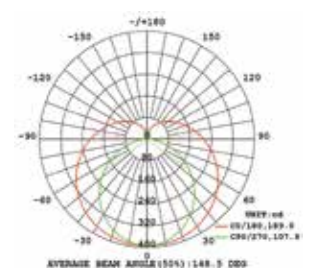
## Installation



## Diagrams



Light distribution curve



Photometric Diagram





## DP5050

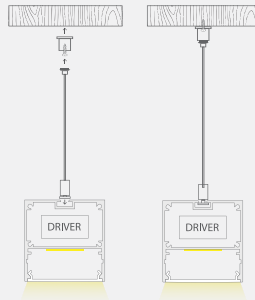
**Suspended**

Power : 21.6-38.88W/m

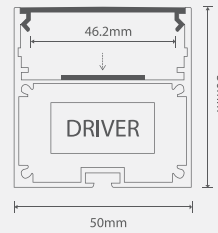
Luminous flux : 2592-4665 lm/m

Luminous efficacy : 120 lm/W

Technical Details



Installation



Dimensions



## DP6038

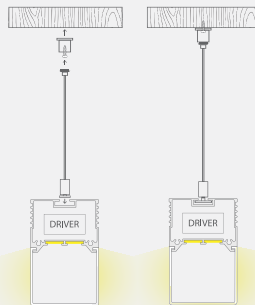
**Suspended**

Power : 4.8-14.4W/m

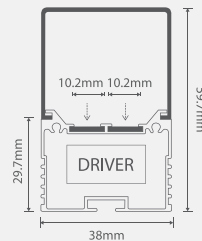
Luminous flux : 480-1440 lm/m

Luminous efficacy : 100 lm/W

Technical Details



Installation



Dimensions



## DP6565

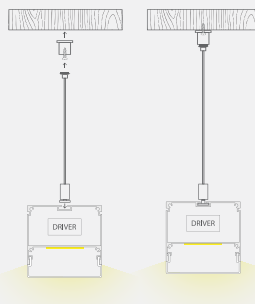
**Suspended**

Power : 21.6-25.92W/m

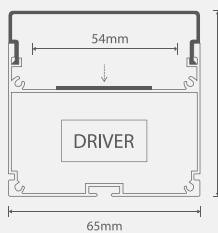
Luminous flux : 2592-3110 lm/m

Luminous efficacy : 120 lm/W

Technical Details



Installation



Dimensions



## DP7528

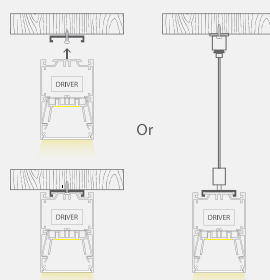
**Suspended/Surface Mounted**

Power : 4.8-25.92W/m

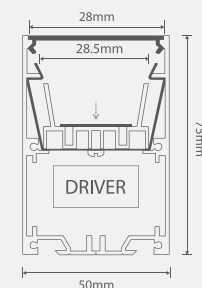
Luminous flux : 480-3110 lm/m

Luminous efficacy : 100-120 lm/W

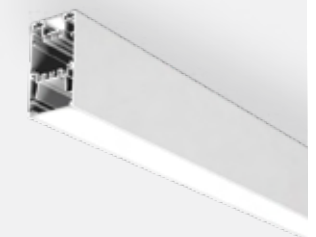
Technical Details



Installation



Dimensions



## DP7534

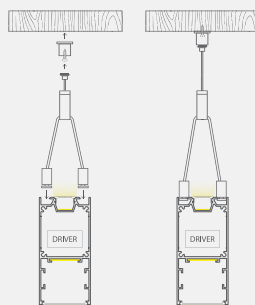
**Suspended**

Power : 4.8-21.6W/m

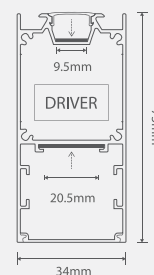
Luminous flux : 480-2592 lm/m

Luminous efficacy : 100-120 lm/W

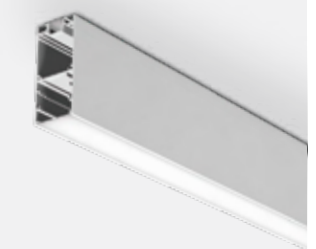
Technical Details



Installation



Dimensions



## DP7555

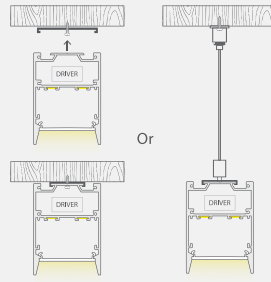
Suspended/Surface Mounted

Power : 4.8-14.4W/m

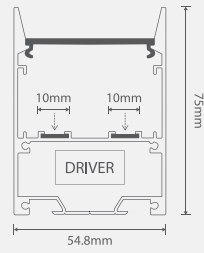
Luminous flux : 480-1440 lm/m

Luminous efficacy : 100 lm/W

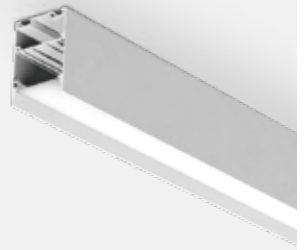
Technical Details



Installation



Dimensions



## DP7575

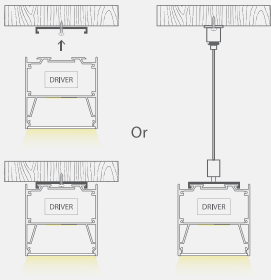
Suspended/Surface Mounted

Power : 21.6-38.88W/m

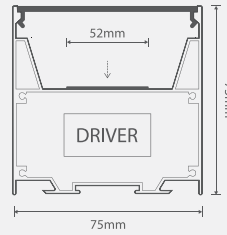
Luminous flux : 2592-4665 lm/m

Luminous efficacy : 120 lm/W

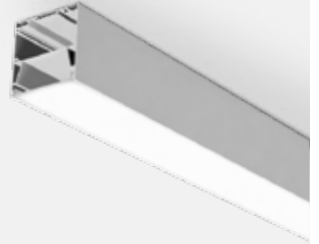
Technical Details



Installation



Dimensions



## DP7580

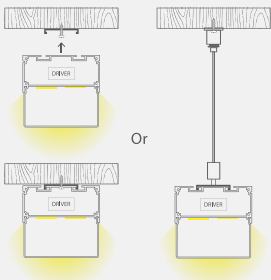
Suspended/Surface Mounted

Power : 21.66-38.88W/m

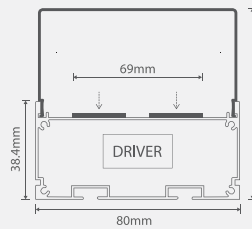
Luminous flux : 2592-4665 lm/m

Luminous efficacy : 120 lm/W

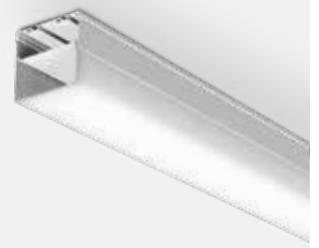
Technical Details



Installation



Dimensions



## DP75120

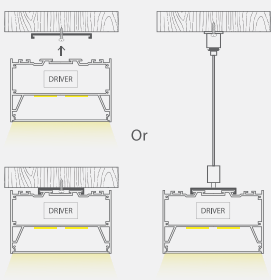
Suspended/Surface Mounted

Power : 21.66-38.88W/m

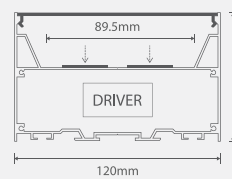
Luminous flux : 2592-4665 lm/m

Luminous efficacy : 120 lm/W

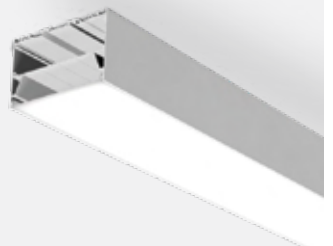
Technical Details



Installation



Dimensions



## DP8070

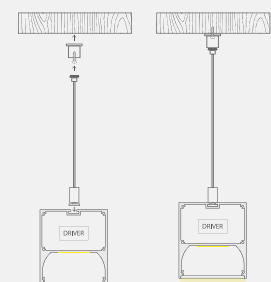
Suspended

Power : 21.6-38.88W/m

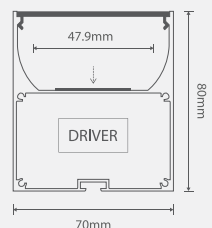
Luminous flux : 2592-4665 lm/m

Luminous efficacy : 120 lm/W

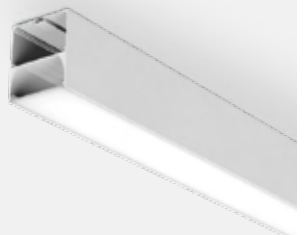
Technical Details



Installation



Dimensions



## DP80100

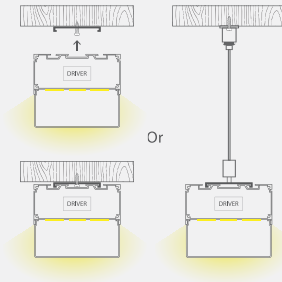
**Suspended/Surface Mounted**

Power : 25.92-37.44W/m

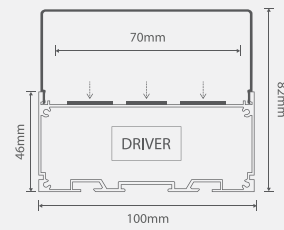
Luminous flux : 3110-4665 lm/m

Luminous efficacy : 120 lm/W

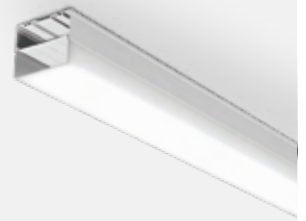
Technical Details



Installation



Dimensions



## DP9575

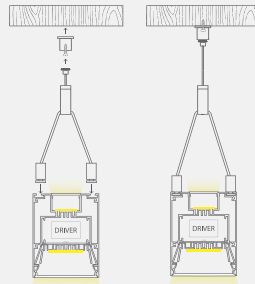
**Suspended**

Power : 21.6-38.88W/m

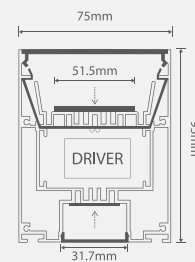
Luminous flux : 2592-4665 lm/m

Luminous efficacy : 120 lm/W

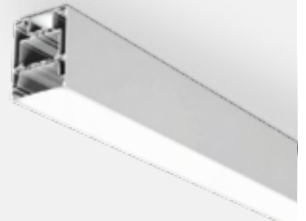
Technical Details



Installation



Dimensions



## DP5072

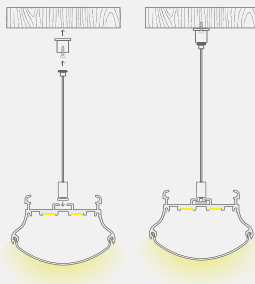
**Suspended**

Power : 4.8-14.4W/m

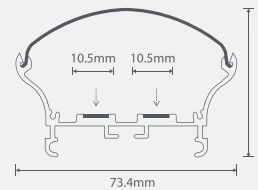
Luminous flux : 480-1440 lm/m

Luminous efficacy : 100 lm/W

Technical Details



Installation



Dimensions



## DP5260

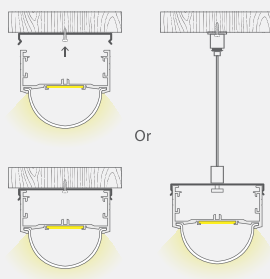
**Suspended/Surface Mounted**

Power : 4.8-25.92W/m

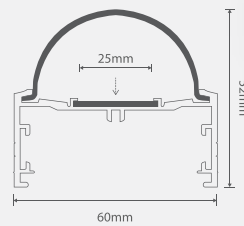
Luminous flux : 480-3110 lm/m

Luminous efficacy : 100-120 lm/W

Technical Details



Installation



Dimensions



## DP5525

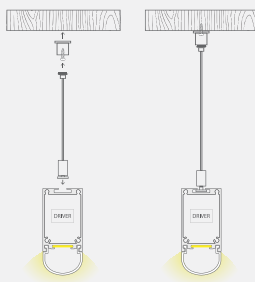
**Suspended**

Power : 4.8-14.4W/m

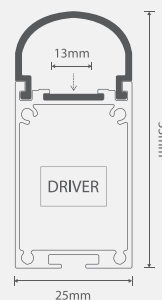
Luminous flux : 480-1440 lm/m

Luminous efficacy : 100 lm/W

Technical Details



Installation



Dimensions



# DP60110

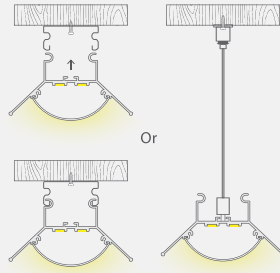
Suspended/Surface Mounted

Power : 4.8-14.4W/m

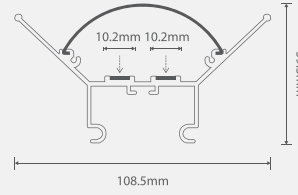
Luminous flux : 480-1440 lm/m

Luminous efficacy : 100 lm/W

Technical Details



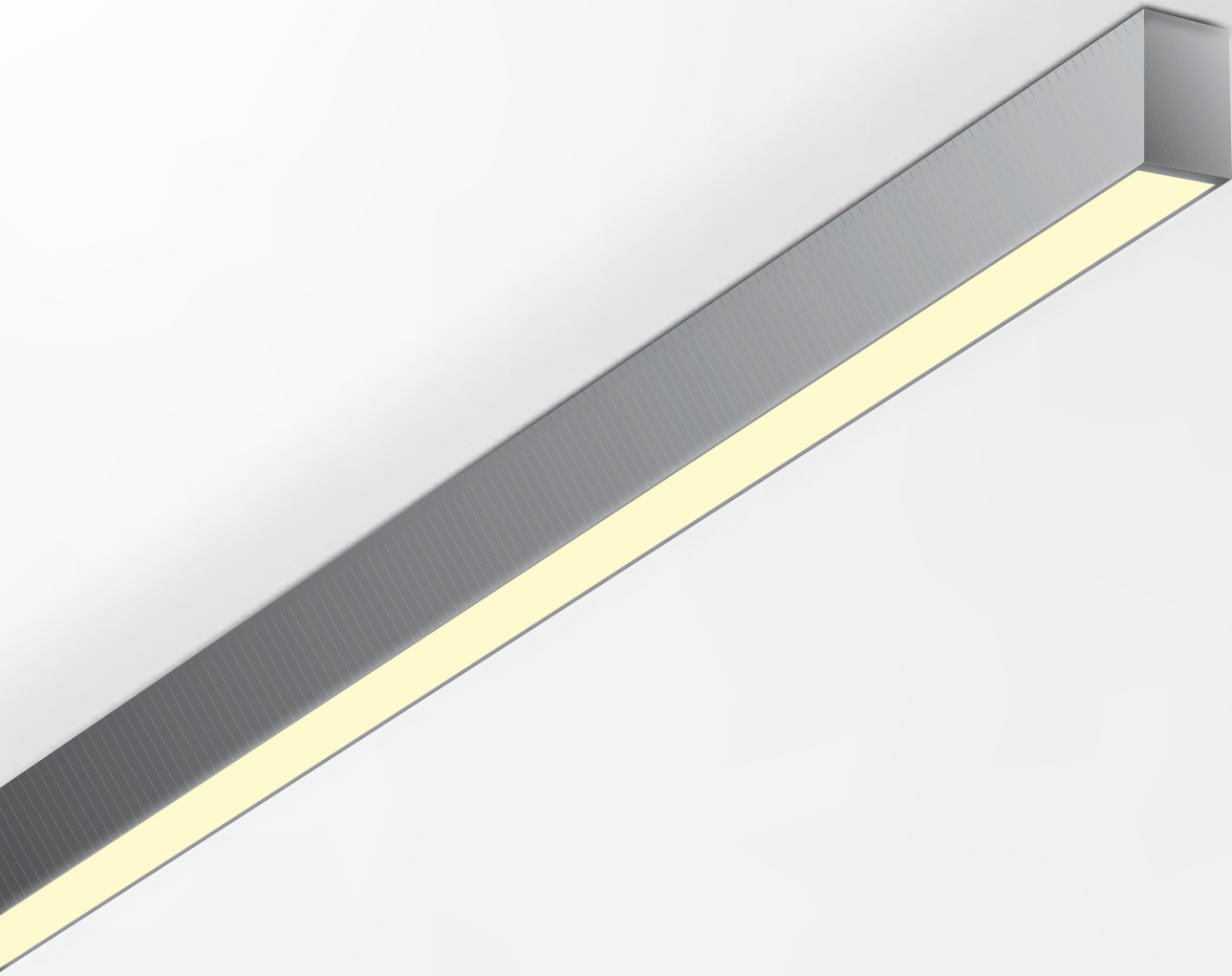
Installation



Dimensions





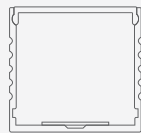


# Linear Lighting System

## Surface Mounted



DS2030



DS3535



DS3550



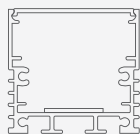
DS45120



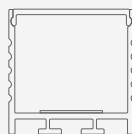
DS45150



DS50200



DS3030



DS3533



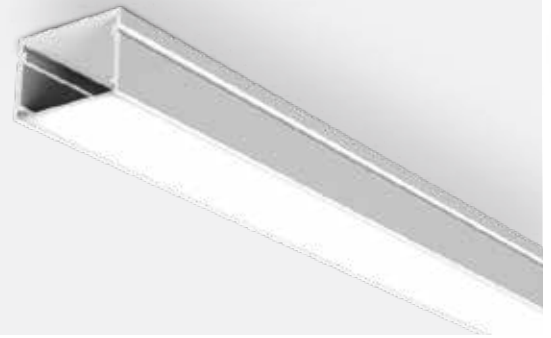
DS3575



DP7580



# Surface Mounted DS2030



## Description

DS2030 is a Surface Mounted LED Extrusion Profile, designed for LED strips up to 22mm width. It is made from high-quality Aluminum. These Extrusions provide a prolonged lifespan of the lighting system. The End caps protect the LED Aluminum Extrusion from dust and other undesirable elements.

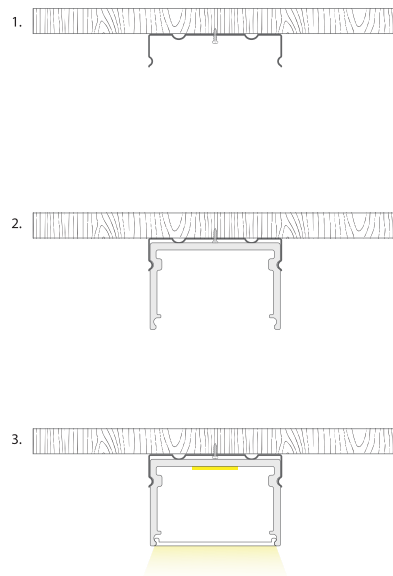
## Technical details

Model	Power	Luminous flux	Luminous efficacy
DS2030	4.8W/m	480 lm/m	100 lm/W
	9.6W/m	960 lm/m	
	14.4W/m	1440 lm/m	120 lm/W
	21.6W/m	2592 lm/m	
	25.92W/m	3110 lm/m	

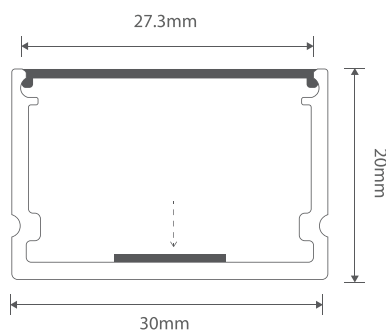
## Product Features

- Polycarbonate diffuser provides uniform light distribution
- Wide lighting angle and easy maintenance
- Available in white, gold, black and silver color
- 0-1/10V dimming, dali dimming, tunable white (optional)
- Length : 1250mm / 2500mm (standard)
- IP rating : IP20 / IP40

## Installation



## Technical drawing



## Accessories



Profile

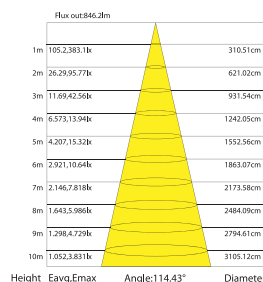
Endcaps

Clips

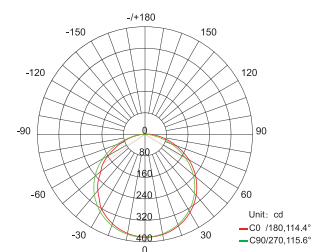
## Finish colors



## Diagrams



Light distribution curve



Photometric Diagram

# Surface Mounted DS3535



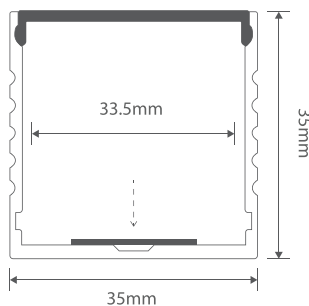
## Description

DS3535 is a Surface Mounted LED Extrusion Profile, designed for LED strips up to 28mm width. It is made from high-quality Aluminum. These Extrusions provide a prolonged lifespan of the lighting system. The End caps protect the LED Aluminum Extrusion from dust and other undesirable elements.

## Technical details

Model	Power	Luminous flux	Luminous efficacy
DS3535	21.6W/m	2592 lm/m	120 lm/W
	25.92W/m	3110 lm/m	
	38.88W/m	4665 lm/m	

## Technical drawing



## Accessories



Profile

Endcaps

Clips

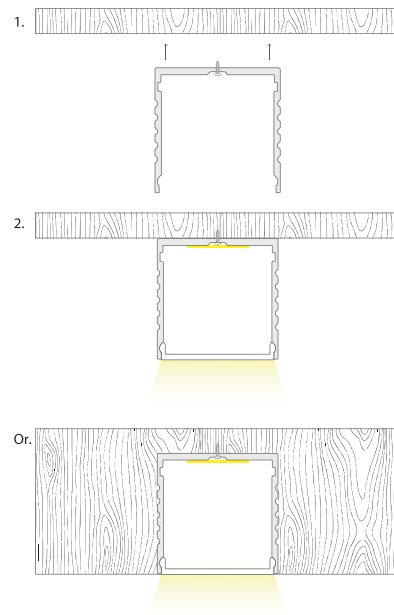
## Finish colors



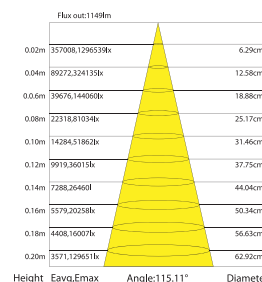
## Product Features

- Polycarbonate diffuser provides uniform light distribution
- Wide lighting angle and easy maintenance
- Available in white, gold, black and silver color
- 0-1/10V dimming, dali dimming, tunable white (optional)
- Length : 1250mm / 2500mm (standard)
- IP rating : IP20 / IP40

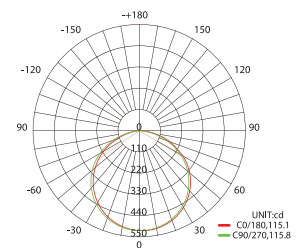
## Installation



## Diagrams



Light distribution curve



Photometric Diagram

# Surface Mounted/Suspended DS3550



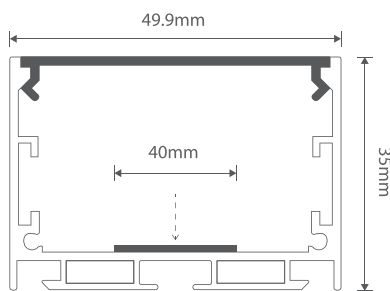
## Description

DS3550 is a Surface Mounted / Suspended LED Extrusion Profile, designed for LED strips up to 28mm width. It is made from high-quality Aluminum. These Extrusions provide a prolonged lifespan of the lighting system. The End caps protect the LED Aluminum Extrusion from dust and other undesirable elements.

## Technical details

Model	Power	Luminous flux	Luminous efficacy
	21.6W/m	2592 lm/m	
DS3550	25.92W/m	3110 lm/m	120 lm/W
	38.88W/m	4665 lm/m	

## Technical drawing



## Accessories



Profile

Endcaps

Clips

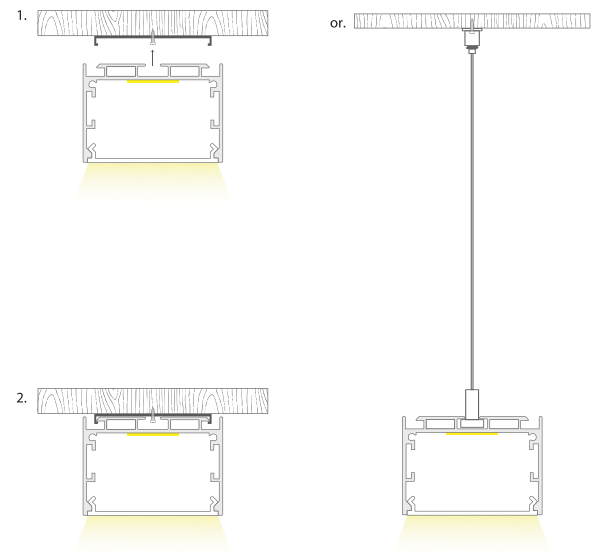
## Finish colors



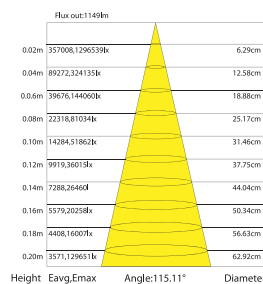
## Product Features

- Polycarbonate diffuser provides uniform light distribution
- Wide lighting angle and easy maintenance
- Available in white, gold, black and silver color
- 0-1/10V dimming, dali dimming, tunable white (optional)
- Length : 1250mm / 2500mm (standard)
- IP rating : IP20 / IP40

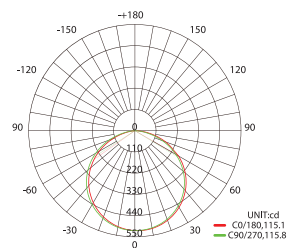
## Installation



## Diagrams



Light distribution curve



Photometric Diagram

# Surface Mounted/Suspended DS45120



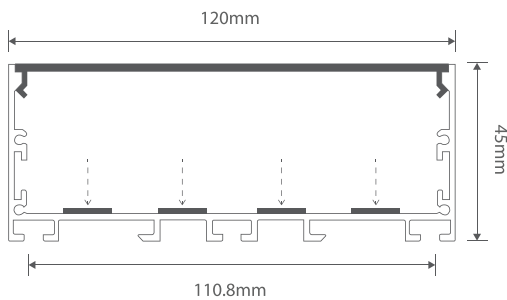
## Description

DS45120 is a Surface Mounted / Suspended LED Extrusion Profile, designed for LED strips up to 50mm width. It is made from high-quality Aluminum. These Extrusions provide superior thermal management for higher wattage LED strips. They also prolong the lifespan of the lighting system. The End caps protect the LED Aluminum Extrusion from dust and other undesirable elements.

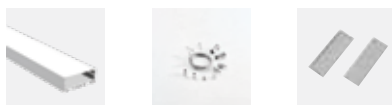
## Technical details

Model	Power	Luminous flux	Luminous efficacy
	21.6W/m	2592 lm/m	
DS45120	25.92W/m	3110 lm/m	120 lm/W
	38.88W/m	4665 lm/m	

## Technical drawing



## Accessories



Profile      Pendant kit      Endcaps

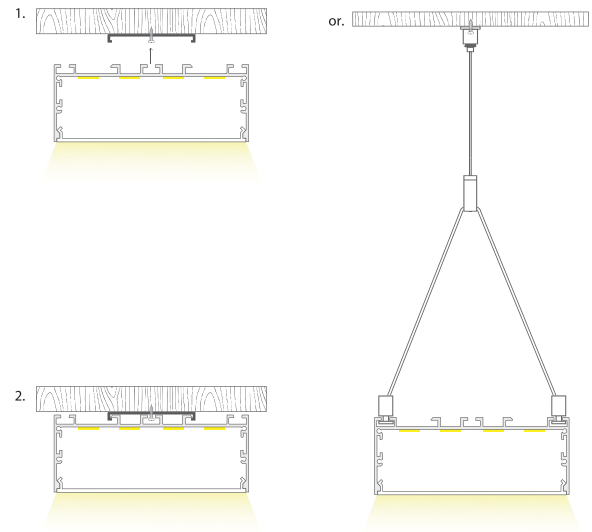
## Finish colors



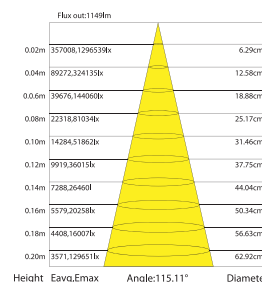
## Product Features

- Polycarbonate diffuser provides uniform light distribution
- Wide lighting angle and easy maintenance
- Suitable for higher power LED strips
- Available in white, gold, black and silver color
- 0-1/10V dimming, dali dimming, tunable white (optional)
- Length : 1250mm / 2500mm (standard)
- IP rating : IP20 / IP40

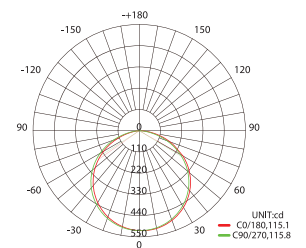
## Installation



## Diagrams



Light distribution curve



Photometric Diagram

# Surface Mounted/Suspended DS45150



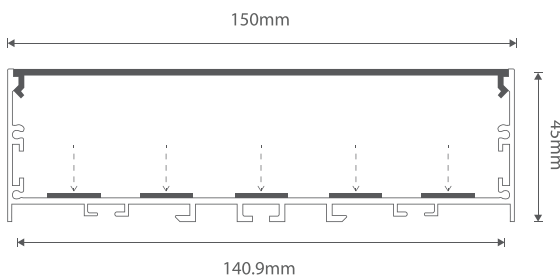
## Description

DS45150 is a Surface Mounted / Suspended LED Extrusion Profile, designed for LED strips up to 50mm width. It is made from high-quality Aluminum. These Extrusions provide superior thermal management for higher wattage LED strips. They also prolong the lifespan of the lighting system. The End caps protect the LED Aluminum Extrusion from dust and other undesirable elements.

## Technical details

Model	Power	Luminous flux	Luminous efficacy
	25.92W/m	3110 lm/m	
DS45150	37.44W/m	4492 lm/m	120 lm/W
	38.88W/m	4665 lm/m	

## Technical drawing



## Accessories



Profile



Pendant kit



Endcaps

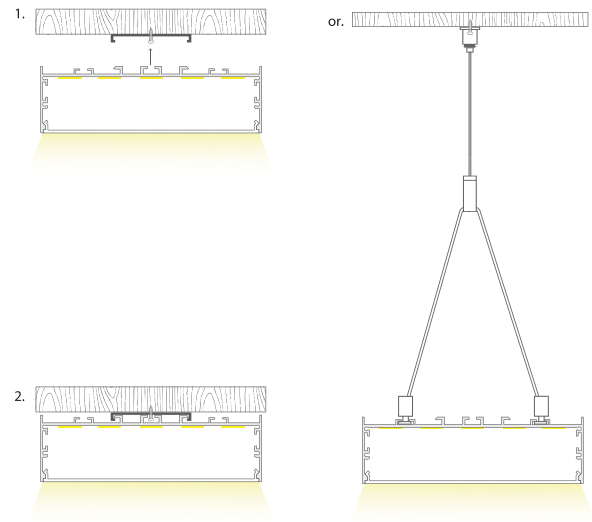
## Finish colors



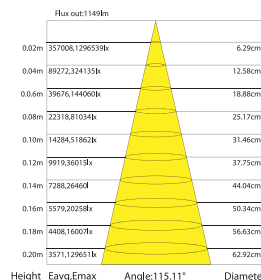
## Product Features

- Polycarbonate diffuser provides uniform light distribution
- Wide lighting angle and easy maintenance
- Suitable for higher power LED strips
- Available in white, gold, black and silver color
- 0-1/10V dimming, dali dimming, tunable white (optional)
- Length : 1250mm / 2500mm (standard)
- IP rating : IP20 / IP40

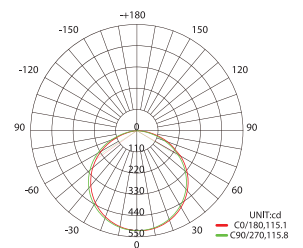
## Installation



## Diagrams

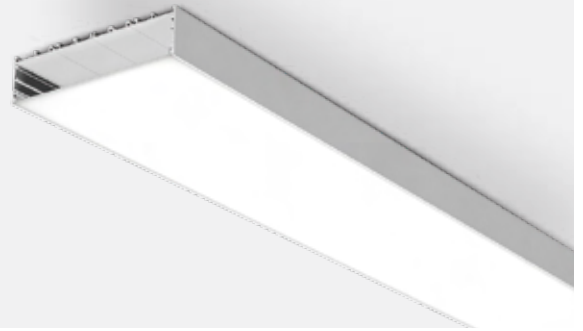


Light distribution curve



Photometric Diagram

# Surface Mounted/Suspended DS50200



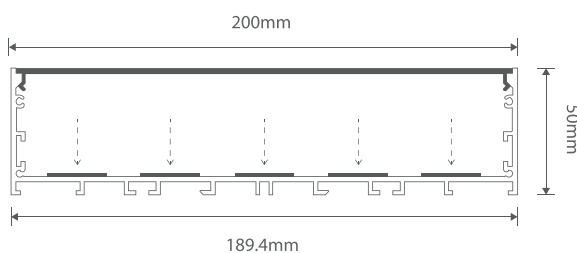
## Description

DS50200 is a Surface Mounted / Suspended LED Extrusion Profile, designed for LED strips up to 50mm width. It is made from high-quality Aluminum. These Extrusions provide superior thermal management for higher wattage LED strips. They also prolong the lifespan of the lighting system. The End caps protect the LED Aluminum Extrusion from dust and other undesirable elements.

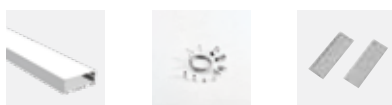
## Technical details

Model	Power	Luminous flux	Luminous efficacy
	25.92W/m	3110 lm/m	
DS50200	37.44W/m	4492 lm/m	120lm/W
	38.88W/m	4665 lm/m	

## Technical drawing



## Accessories



Profile      Pendant kit      Endcaps

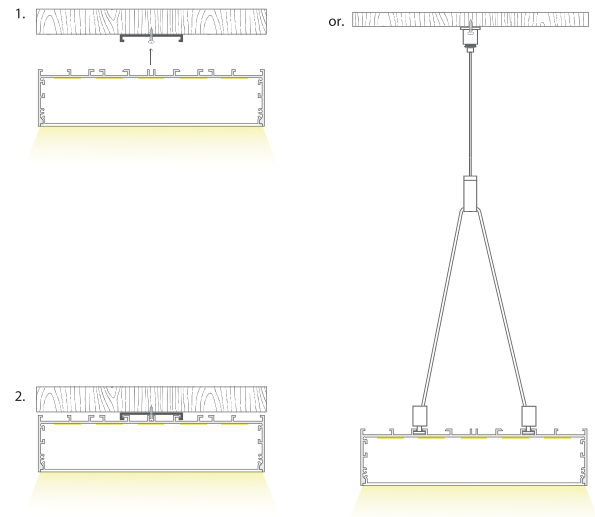
## Finish colors



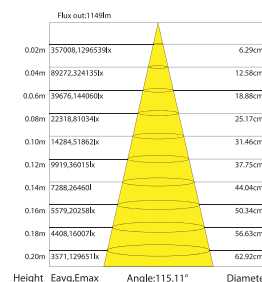
## Product Features

- Polycarbonate diffuser provides uniform light distribution
- Wide lighting angle and easy maintenance
- Suitable for higher power LED strips
- Available in white, gold, black and silver color
- 0-1/10V dimming, dali dimming, tunable white (optional)
- Length : 1250mm / 2500mm (standard)
- IP rating : IP20 / IP40

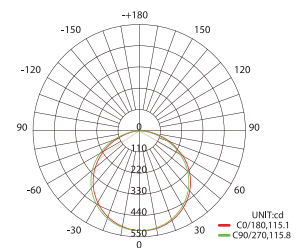
## Installation



## Diagrams



Light distribution curve



Photometric Diagram

## DS3030

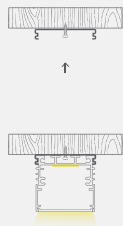
Surface Mounted

Power : 4.8-25.92W/m

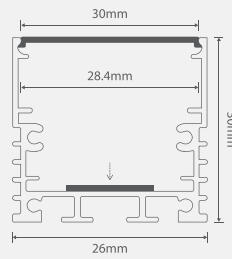
Luminous flux : 480-3110 lm/m

Luminous efficacy : 100-120 lm/W

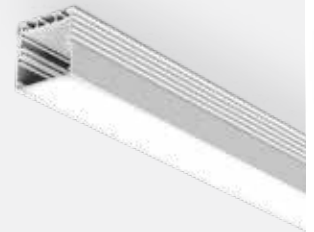
Technical Details



Installation



Dimensions



## DS3533

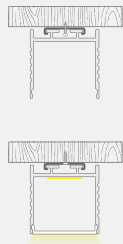
Surface Mounted

Power : 4.8-38.88W/m

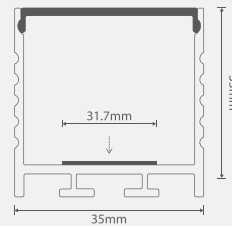
Luminous flux : 480-4665 lm/m

Luminous efficacy : 100-120 lm/W

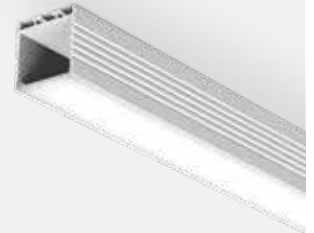
Technical Details



Installation



Dimensions



## DS3575

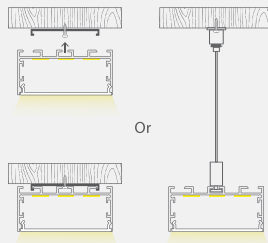
Surface Mounted / Suspended

Power : 25.92-38.88W/m

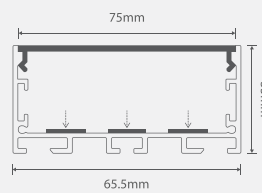
Luminous flux : 3110-4665 lm/m

Luminous efficacy : 120 lm/W

Technical Details



Installation



Dimensions



## DP35100

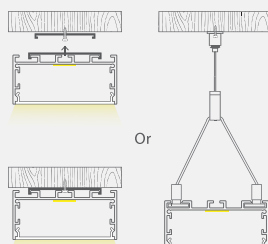
Surface Mounted / Suspended

Power : 25.92-38.88W/m

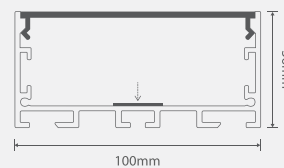
Luminous flux : 3110-4665 lm/m

Luminous efficacy : 120 lm/W

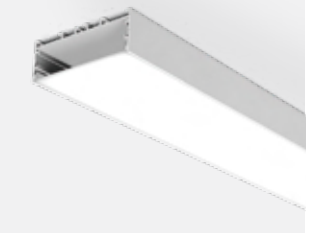
Technical Details

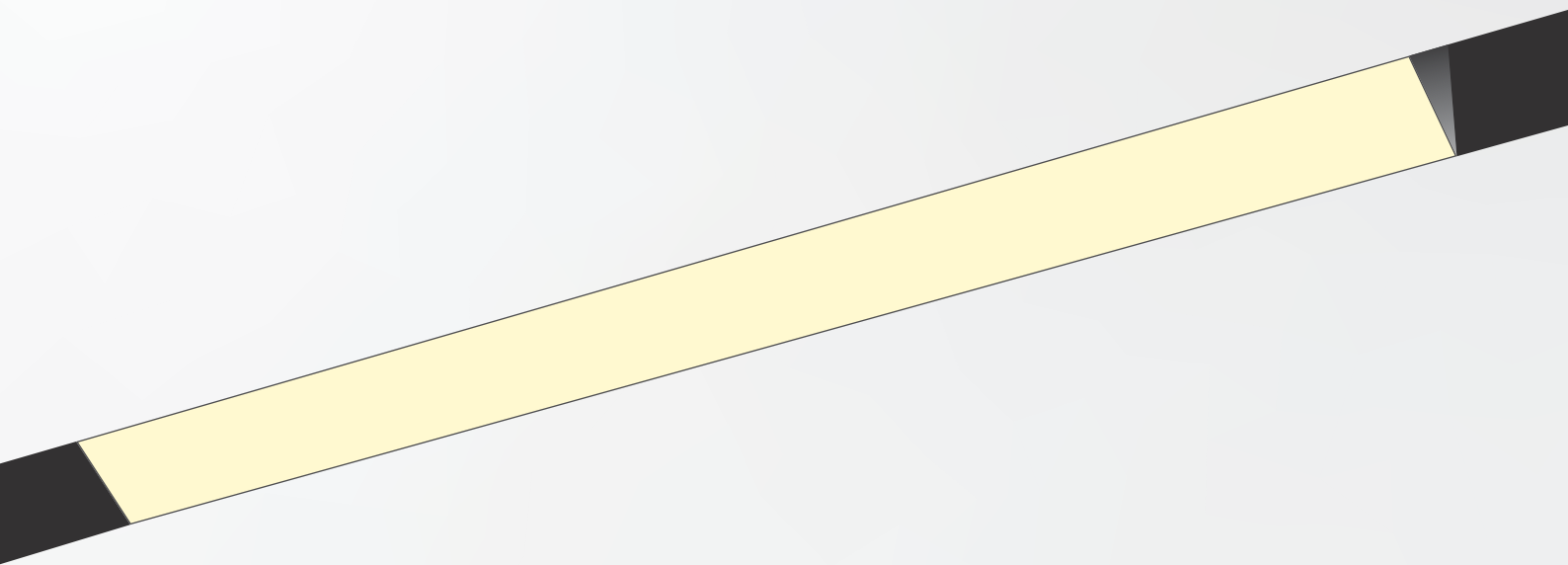


Installation



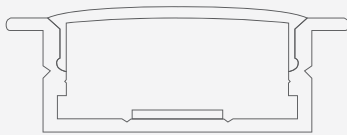
Dimensions





# Linear Lighting System

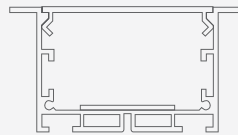
## Recessed Mounted



DR1031



DR2736



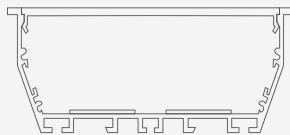
DR3565



DR3595



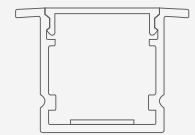
DR35120



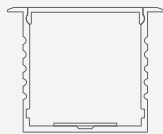
DR45162



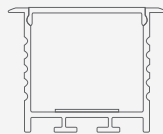
DR2043



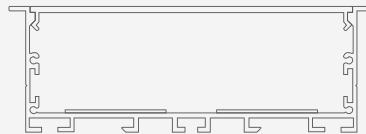
DR2028



DR3533



DR3544



DR45132



# Recessed Mounted DR1031



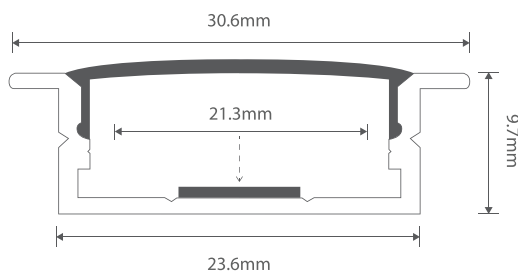
## Description

DR1031 is a Recessed Mounted LED Extrusion Profile, designed for LED strips up to 14mm width. It is made from high-quality Aluminum. These extrusions provide a prolonged lifespan of the lighting system. The End caps protect the LED Aluminum Extrusion from dust and other undesirable elements.

## Technical details

Model	Power	Luminous flux	Luminous efficacy
DR1031	4.8W/m	480 lm/m	100 lm/W
	9.6W/m	960 lm/m	
	14.4W/m	1440 lm/m	120 lm/W
	21.6W/m	2592 lm/m	

## Technical drawing



## Accessories



Profile



Endcaps

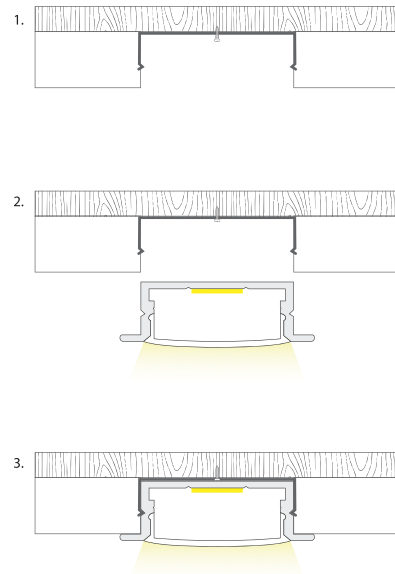
## Finish colors



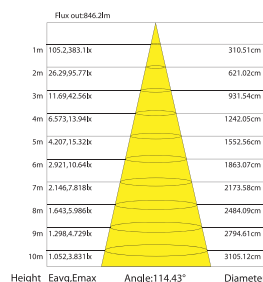
## Product Features

- Polycarbonate diffuser provides uniform light distribution
- Available in white, gold, black and silver color
- 0-1/10V dimming, dali dimming, tunable white (optional)
- Length : 1000mm / 2000mm (standard)
- IP rating : IP20 / IP40

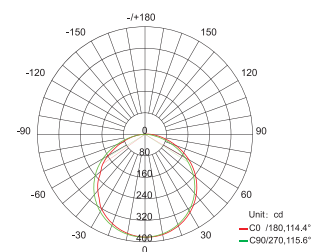
## Installation



## Diagrams



Light distribution curve



AVERAGE BEAM ANGLE (50%): 115.0°

Photometric Diagram

# Recessed Mounted DR2736



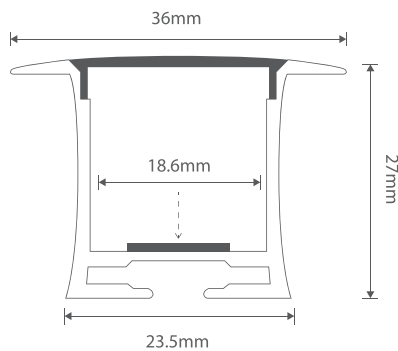
## Description

DR2736 is a Recessed Mounted LED Extrusion Profile, designed for LED strips up to 14mm width. It is made from high-quality Aluminum. These extrusions provide a prolonged lifespan of the lighting system. The End caps protect the LED Aluminum Extrusion from dust and other undesirable elements.

## Technical details

Model	Power	Luminous flux	Luminous efficacy
DR2736	4.8W/m	480 lm/m	100 lm/W
	9.6W/m	960 lm/m	
	14.4W/m	1440 lm/m	120 lm/W
	21.6W/m	2592 lm/m	

## Technical drawing



## Accessories



Profile

Endcaps

Clips

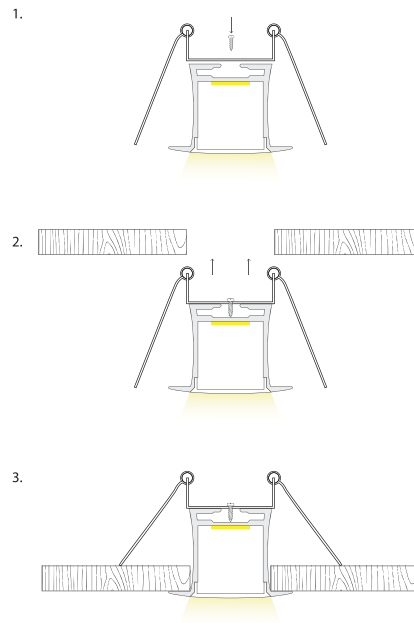
## Finish colors



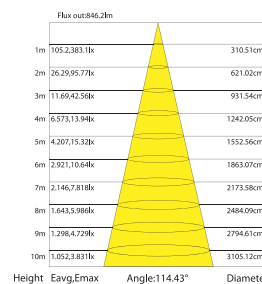
## Product Features

- Polycarbonate diffuser provides uniform light distribution
- Available in white, gold, black and silver color
- 0-1/10V dimming, dali dimming, tunable white (optional)
- Length : 1000mm / 2000mm (standard)
- IP rating : IP20 / IP40

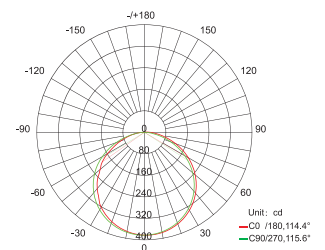
## Installation



## Diagrams



Light distribution curve



Photometric Diagram

# Recessed Mounted DR3565



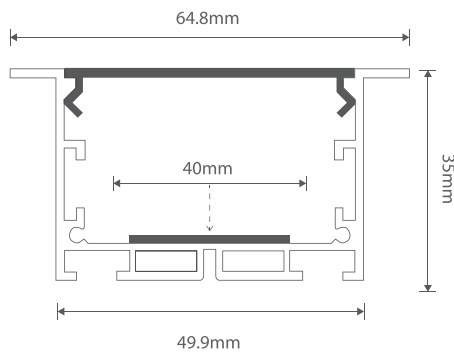
## Description

DR3565 is a Recessed Mounted LED Extrusion Profile, designed for LED strips up to 28mm width. It is made from high-quality Aluminum. These Extrusions provide a prolonged lifespan of the lighting system. The End caps protect the LED Aluminum Extrusion from dust and other undesirable elements.

## Technical details

Model	Power	Luminous flux	Luminous efficacy
	21.6W/m	2592 lm/m	
DR3565	25.92W/m	3110 lm/m	120 lm/W
	38.88W/m	4665 lm/m	

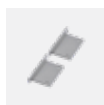
## Technical drawing



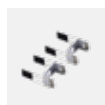
## Accessories



Profile



Endcaps



Clips

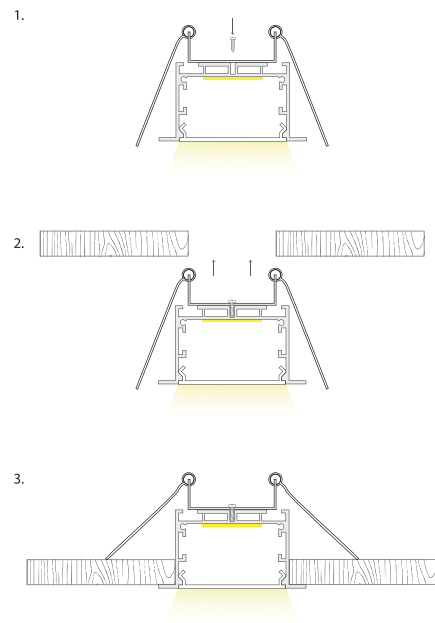
## Finish colors



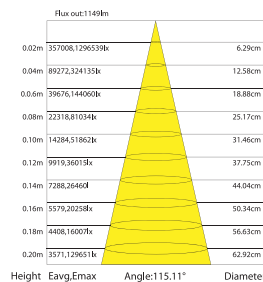
## Product Features

- Polycarbonate diffuser provides uniform light distribution
- Wide lighting angle and easy maintenance
- Available in white, gold, black and silver color
- 0-1/10V dimming, dali dimming, tunable white (optional)
- Length : 1250mm / 2500mm (standard)
- IP rating : IP20 / IP40

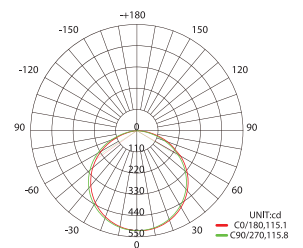
## Installation



## Diagrams



Light distribution curve



Photometric Diagram

# Recessed Mounted DR3595



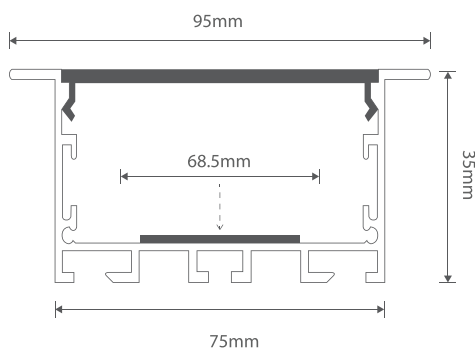
## Description

DR3595 is a Recessed Mounted LED Extrusion Profile, designed for LED strips up to 50mm width. It is made from high-quality Aluminum. These Extrusions provide superior thermal management for higher wattage LED strips. They also prolong the lifespan of the lighting system. The End caps protect the LED Aluminum Extrusion from dust and other undesirable elements.

## Technical details

Model	Power	Luminous flux	Luminous efficacy
	25.92W/m	3110 lm/m	
DR3595	37.44W/m	4492 lm/m	120 lm/W
	38.88W/m	4665 lm/m	

## Technical drawing



## Accessories



Profile

Endcaps

Clips

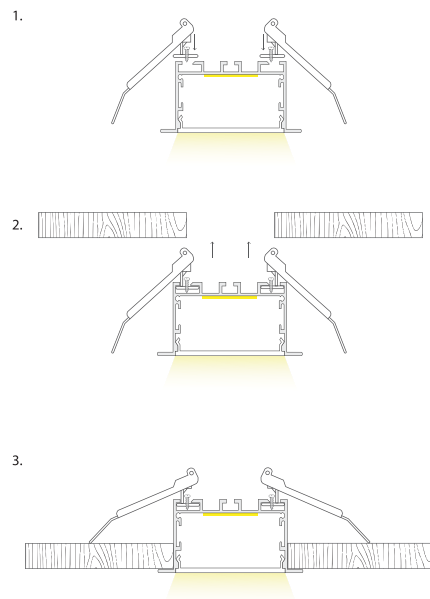
## Finish colors



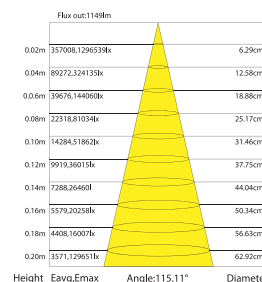
## Product Features

- Polycarbonate diffuser provides uniform light distribution
- Wide lighting angle and easy maintenance
- Suitable for higher power LED strips
- Available in white, gold, black and silver color
- 0-1/10V dimming, dali dimming, tunable white (optional)
- Length : 1250mm / 2500mm (standard)
- IP rating : IP20 / IP40

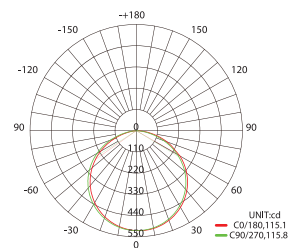
## Installation



## Diagrams



Light distribution curve



Photometric Diagram

# Recessed Mounted DR35120



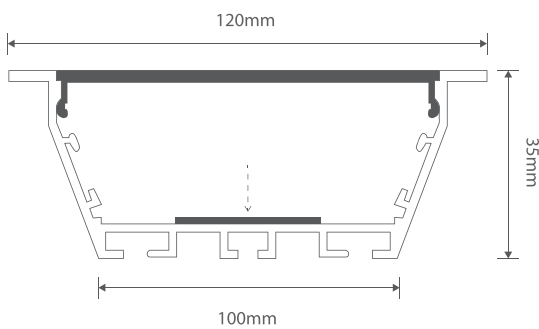
## Description

DR35120 is a Recessed Mounted LED Extrusion Profile, designed for LED strips up to 50mm width. It is made from high-quality Aluminum. These Extrusions provide superior thermal management for higher wattage LED strips. They also prolong the lifespan of the lighting system. The End caps protect the LED Aluminum Extrusion from dust and other undesirable elements.

## Technical details

Model	Power	Luminous flux	Luminous efficacy
	25.92W/m	3110 lm/m	
DR35120	37.44W/m	4492 lm/m	120 lm/W
	38.88W/m	4665 lm/m	

## Technical drawing



## Accessories



Profile

Endcaps

Clips

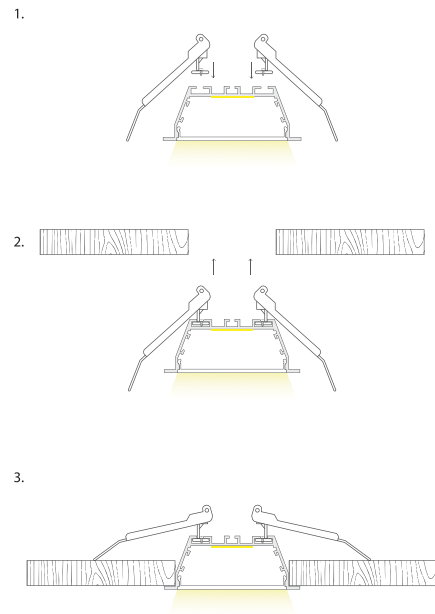
## Finish colors



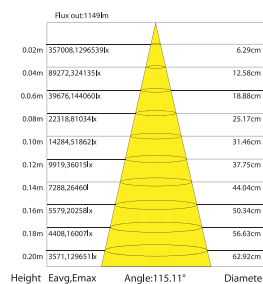
## Product Features

- Polycarbonate diffuser provides uniform light distribution
- Wide lighting angle and easy maintenance
- Available in white, gold, black and silver color
- 0-1/10V dimming, dali dimming, tunable white (optional)
- Length : 1200mm / 2400mm (standard)
- IP rating : IP20 / IP40

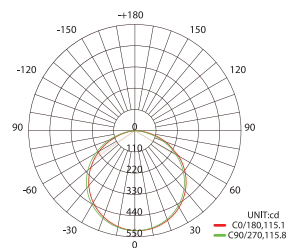
## Installation



## Diagrams



Light distribution curve



Photometric Diagram

# Recessed Mounted DR45162



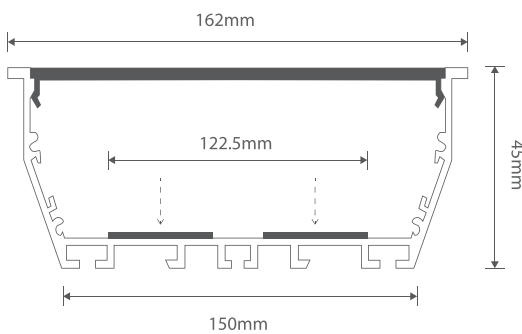
## Description

DR45162 is a Recessed Mounted LED Extrusion Profile, designed for LED strips up to 50mm width. It is made from high-quality Aluminum. These Extrusions provide superior thermal management for higher wattage LED strips. They also prolong the lifespan of the lighting system. The End caps protect the LED Aluminum Extrusion from dust and other undesirable elements.

## Technical details

Model	Power	Luminous flux	Luminous efficacy
	25.92W/m	3110 lm/m	
DR45162	37.44W/m	4492 lm/m	120 lm/W
	38.88W/m	4665 lm/m	

## Technical drawing



## Accessories



Profile

Endcaps

Clips

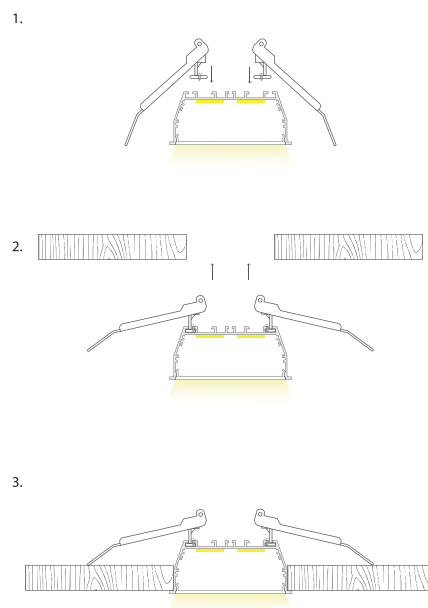
## Finish colors



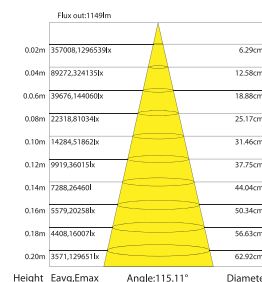
## Product Features

- Polycarbonate diffuser provides uniform light distribution
- Wide lighting angle and easy maintenance
- Suitable for higher power LED strips
- Available in white, gold, black and silver color
- 0-1/10, dali dimming, tunable white (optional)
- Length : 1250mm / 2500mm (standard)
- IP rating : IP20 / IP40

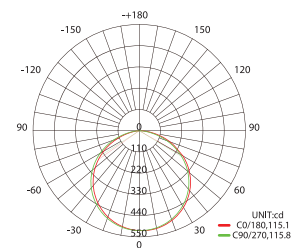
## Installation



## Diagrams



Light distribution curve



Photometric Diagram

## DR2043

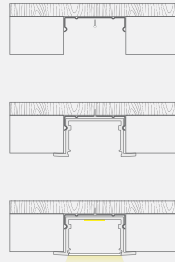
**Recessed mounted**

Power : 4.8-25.92W/m

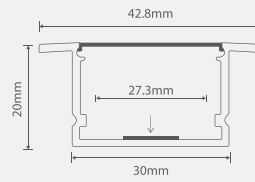
Luminous flux : 480-3110 lm/m

Luminous efficacy : 100-120 lm/W

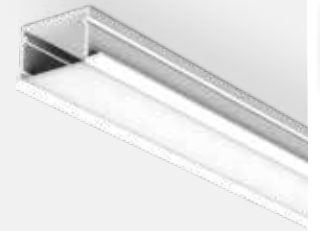
Technical Details



Installation



Dimensions



## DR2028

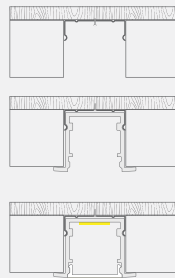
**Recessed mounted**

Power : 4.8-21.6W/m

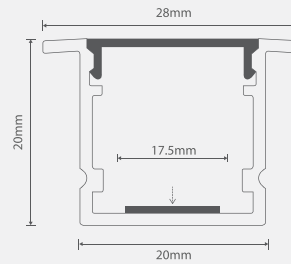
Luminous flux : 480-2592 lm/m

Luminous efficacy : 100-120 lm/W

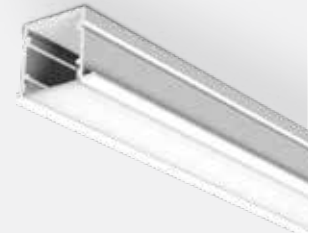
Technical Details



Installation



Dimensions



## DR3533

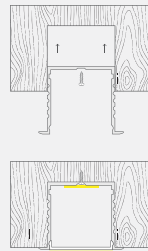
**Recessed mounted**

Power : 4.8-25.92W/m

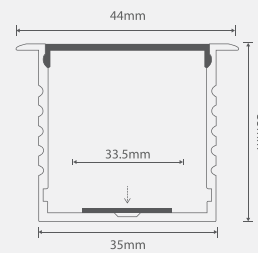
Luminous flux : 480-3110 lm/m

Luminous efficacy : 100-120 lm/W

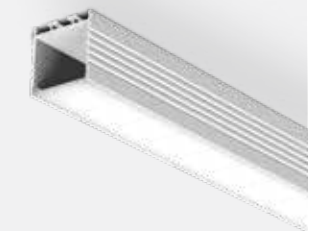
Technical Details



Installation



Dimensions



## DR3544

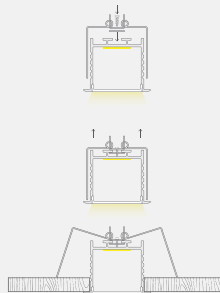
**Recessed mounted**

Power : 25.92-38.88W/m

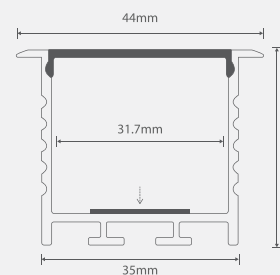
Luminous flux : 3110-4665 lm/m

Luminous efficacy : 120 lm/W

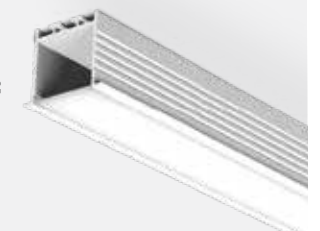
Technical Details



Installation



Dimensions



## DR45132

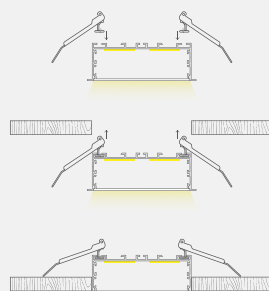
**Recessed mounted**

Power : 25.92-38.88W/m

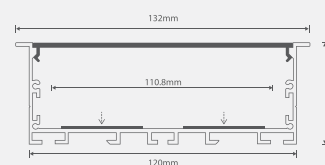
Luminous flux : 3110-4665 lm/m

Luminous efficacy : 120 lm/W

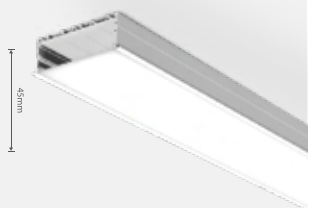
Technical Details

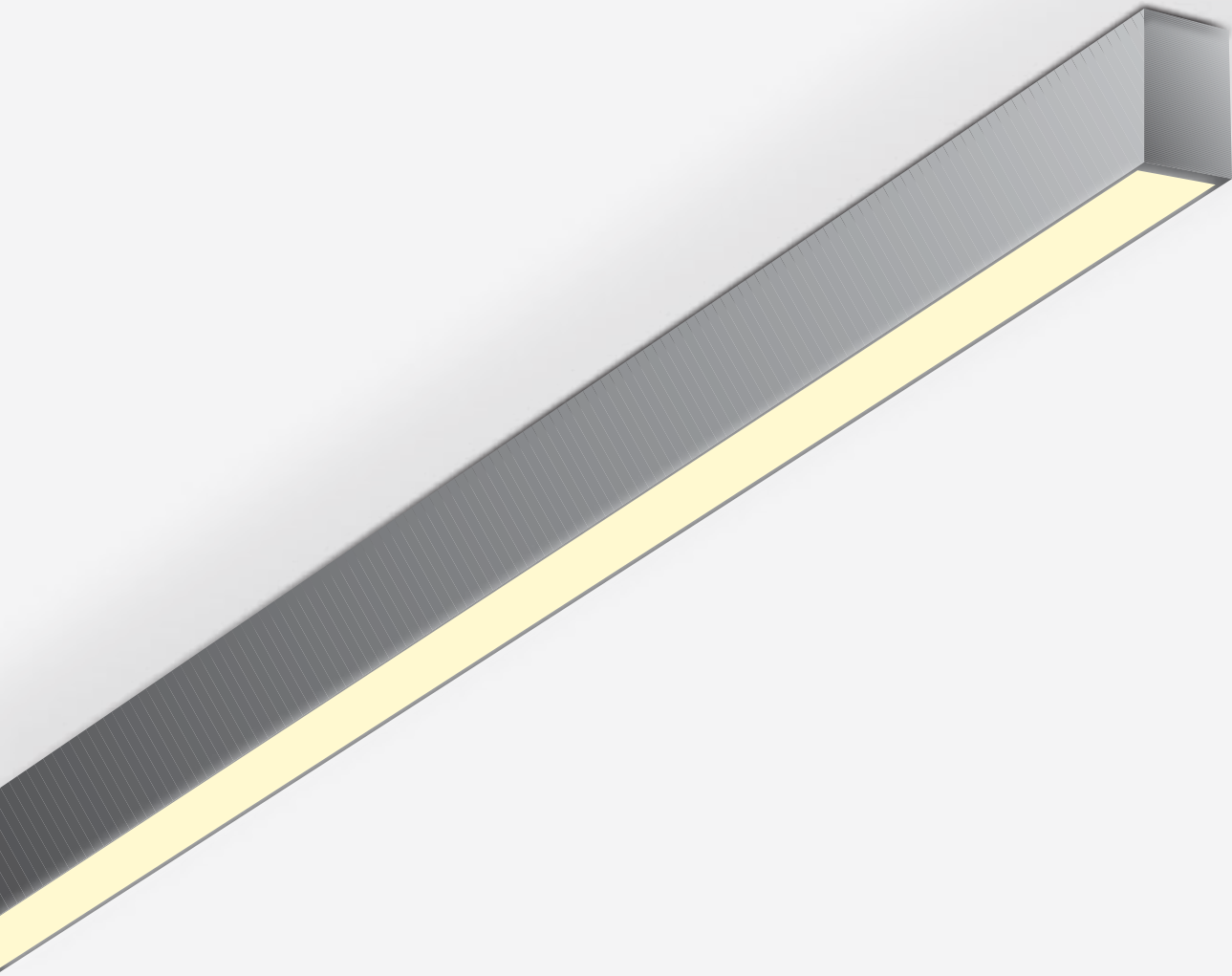


Installation



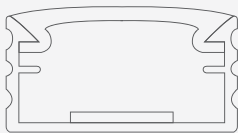
Dimensions



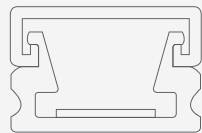


# Slim Linear Profile

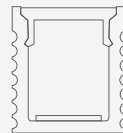
## Surface Mounted



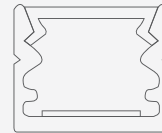
DS0714



DS0812



DS0908



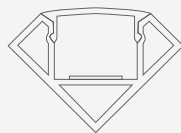
DS1010



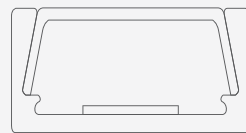
DS1313



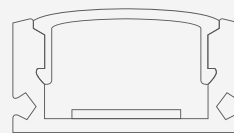
DS1616



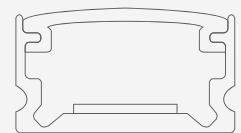
DS1818



DS0615



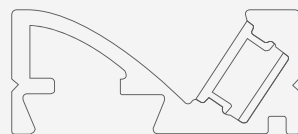
DS0717



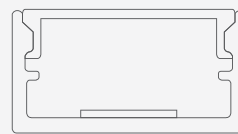
DS0813



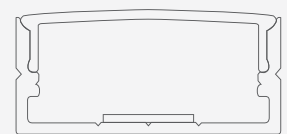
DS0914



DS0921



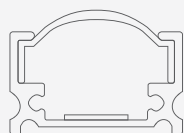
DS1020



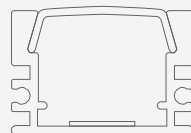
DS1024



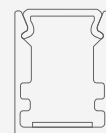
DS1210



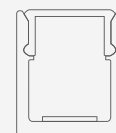
DS1216



DS1217



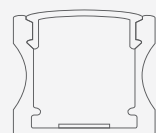
DS1310



DS1312



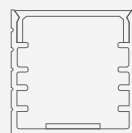
DS1315



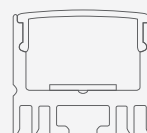
DS1417



DS1418



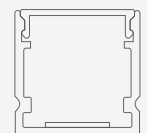
DS1515



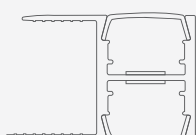
DS1517



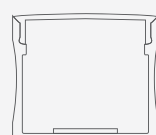
DS2012



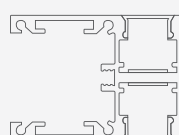
DS2020



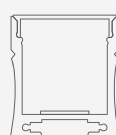
DS2030



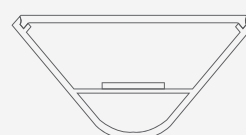
DS2123



DS2636



DS2724



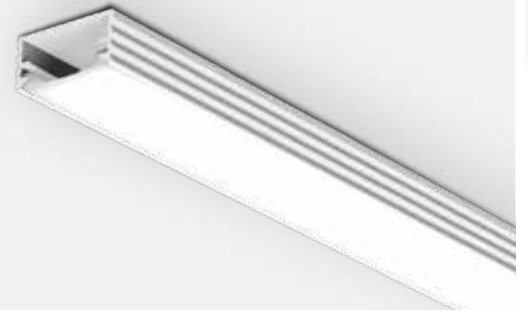
DS3030



DS5050



# Surface Mounted DS0714



## Description

DS0714 is a Surface Mounted LED Extrusion Profile, designed for LED strips up to 14mm width. It is made from high-quality Aluminum. These Extrusions provide a prolonged lifespan of the lighting system. The End caps protect the LED Aluminum Extrusion from dust and other undesirable elements.

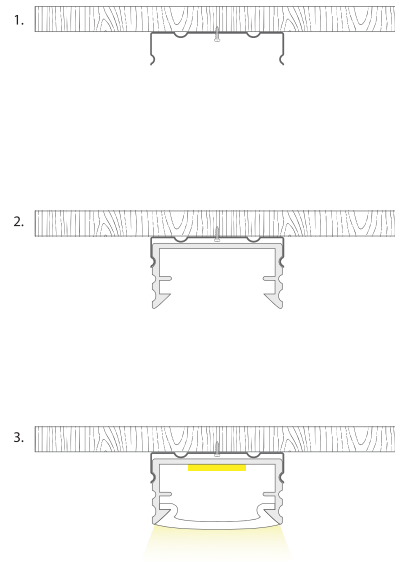
## Product Features

- Polycarbonate diffuser provides uniform light distribution
- Available in white, gold, black and silver color
- 0-1/10V dimming, dali dimming, tunable white (optional)
- Length : 1000mm / 2000mm (standard)
- IP rating : IP20 / IP40

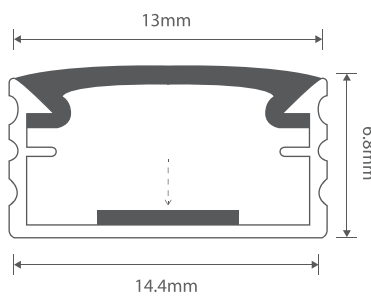
## Technical details

Model	Power	Luminous flux	Luminous efficacy
DS0714	4.8W/m	480 lm/m	100 lm/W
	9.6W/m	960 lm/m	
	14.4W/m	1440 lm/m	120 lm/W
	21.6W/m	2592 lm/m	

## Installation



## Technical drawing



## Accessories



Profile



Endcaps

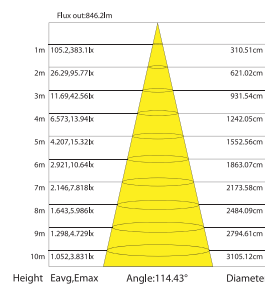


Clips

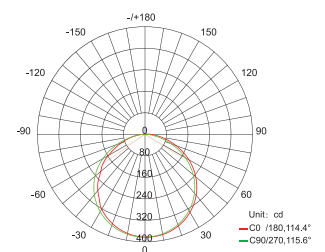
## Finish colors



## Diagrams

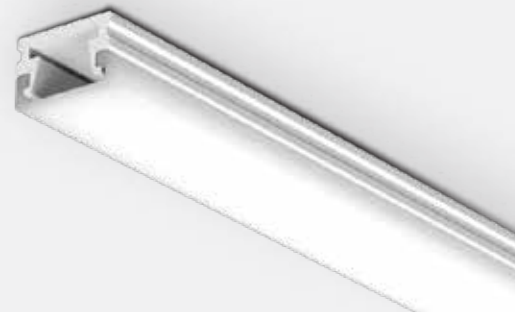


Light distribution curve



Photometric Diagram

# Surface Mounted DS0812



## Description

DS0812 is a Surface Mounted LED Extrusion profile, designed for LED strips up to 10mm width. It is made from high-quality Aluminum. These Extrusions provide a prolonged lifespan of the lighting system. The End caps protect the LED Aluminum Extrusion from dust and other undesirable elements.

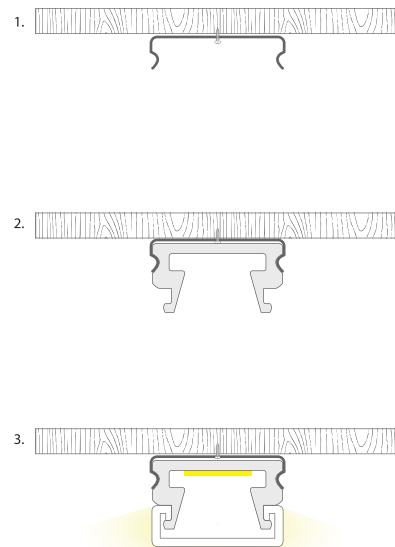
## Product Features

- Polycarbonate diffuser provides uniform light distribution
- Available in white, gold, black and silver color
- 0-1/10V dimming, dali dimming, tunable white (optional)
- Length : 1000mm / 2000mm (standard)
- IP rating : IP20 / IP40

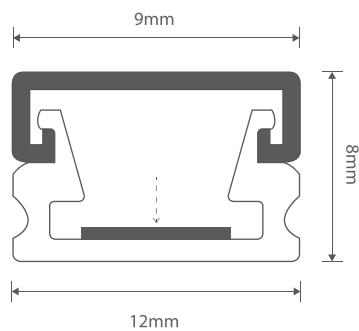
## Technical details

Model	Power	Luminous flux	Luminous efficacy
DS0812	4.8W/m	480 lm/m	100 lm/W
	9.6W/m	960 lm/m	
	14.4W/m	1440 lm/m	

## Installation



## Technical drawing



## Accessories



Profile

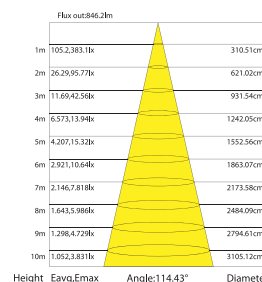
Endcaps

Clips

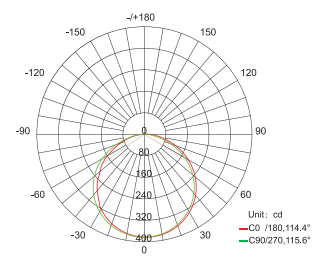
## Finish colors



## Diagrams



Light distribution curve



Photometric Diagram

# Surface Mounted DS0908



## Description

DS0908 is a Surface Mounted LED Extrusion profile, designed for LED strips up to 5mm width. It is made from high-quality Aluminum. These Extrusions provide a prolonged lifespan of the lighting system. The End caps protect the LED Aluminum Extrusion from dust and other undesirable elements.

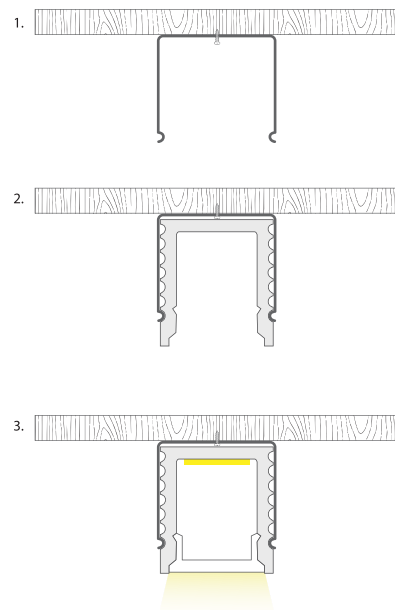
## Product Features

- Polycarbonate diffuser provides uniform light distribution
- Available in white, gold, black and silver color
- 0-1/10V dimming, dali dimming, tunable white (optional)
- Length : 1000mm / 2000mm (standard)
- IP rating : IP20 / IP40

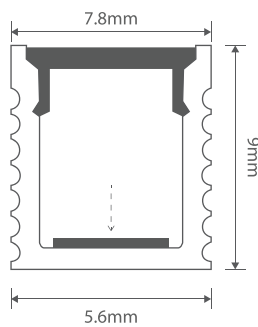
## Technical details

Model	Power	Luminous flux	Luminous efficacy
	4.8W/m	480 lm/m	
DS0908	9.6W/m	960 lm/m	100 lm/W
	14.4W/m	1440 lm/m	

## Installation



## Technical drawing



## Accessories



Profile



Endcaps

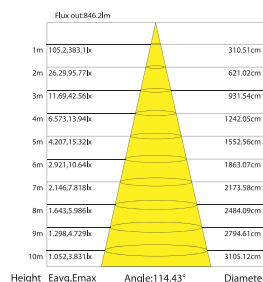


Clips

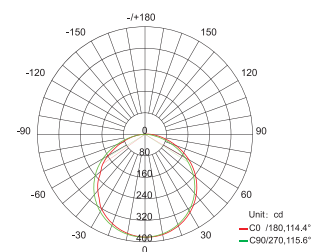
## Finish colors



## Diagrams



Light distribution curve



Photometric Diagram

# Surface Mounted DS1010



## Description

DS1010 is a Surface Mounted LED Extrusion Profile, designed for LED strips up to 8mm width. It is made from high-quality Aluminum. These Extrusions provide a prolonged lifespan of the lighting system. The End caps protect the LED Aluminum Extrusion from dust and other undesirable elements.

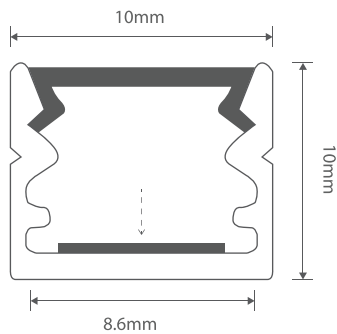
## Product Features

- Polycarbonate diffuser provides uniform light distribution
- Available in white, gold, black and silver color
- 0-1/10V dimming, dali dimming, tunable white (optional)
- Length : 1000mm / 2000mm (standard)
- IP rating : IP20 / IP40

## Technical details

Model	Power	Luminous flux	Luminous efficacy
DS1010	4.8W/m	480 lm/m	100 lm/W
	9.6W/m	960 lm/m	
	14.4W/m	1440 lm/m	

## Technical drawing



## Accessories



Profile

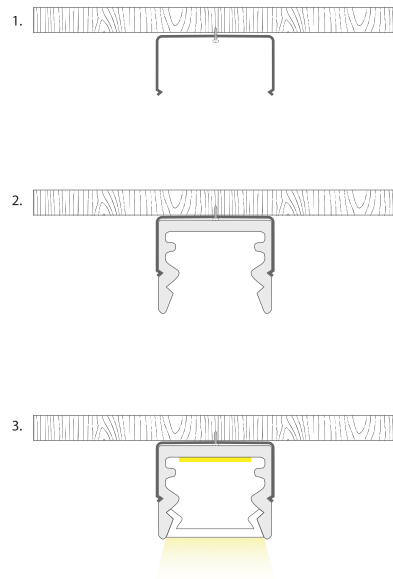
Endcaps

Clips

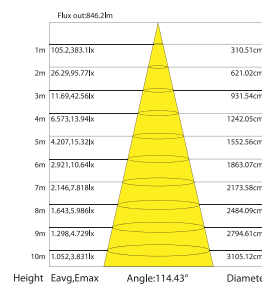
## Finish colors



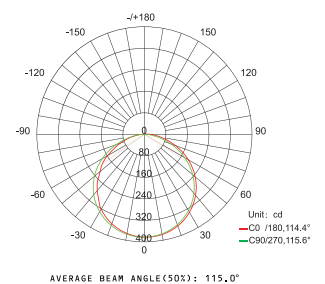
## Installation



## Diagrams



Light distribution curve



Photometric Diagram





# Surface Mounted DS1313



## Description

DS1313 is a Surface Mounted LED Extrusion Profile, created for liner LED strips up to 8mm wide. It is made from high-quality Aluminum. It extends the lifespan of your lighting system. This LED Aluminum profile, DS1313, is a widely used option for corner installation with a 45° angle. It includes a rounded (quarter-circle) PC cover that provides uniform 45° lighting and is an excellent solution for under-cabinet, in-cabinet, and over-cabinet Linear LED lighting.

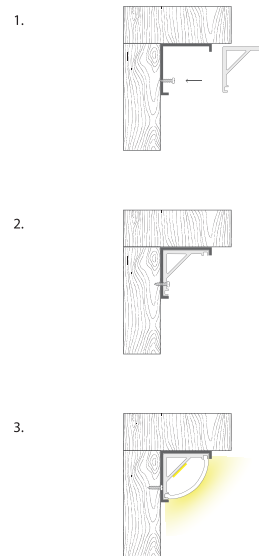
## Product Features

- Polycarbonate diffuser provides uniform light distribution
- Good Heat Dissipation
- Ease of creating Geometric figures
- 45° lighting angle
- Available in white, gold, black and silver color
- 0-1/10V dimming, dali dimming, tunable white (optional)
- Length : 1000mm / 2000mm (standard)
- IP rating : IP20 / IP40

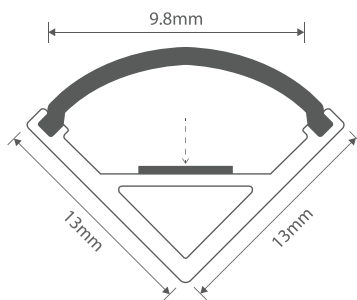
## Technical details

Model	Power	Luminous flux	Luminous efficacy
	4.8W/m	480 lm/m	
DS1313	9.6W/m	960 lm/m	100 lm/W
	14.4W/m	1440 lm/m	

## Installation



## Technical drawing



## Accessories



Profile



Endcaps

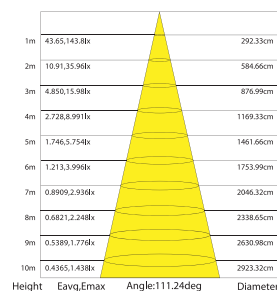


Clips

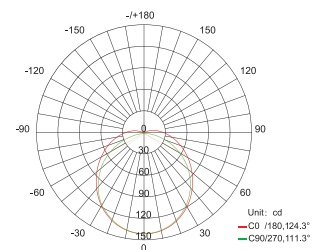
## Finish colors



## Diagrams

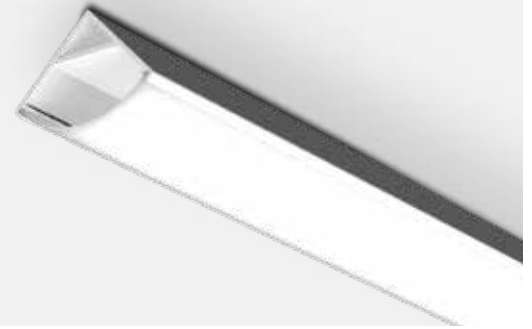


Light distribution curve



Photometric Diagram

# Suspended/Surface Mounted DS1616



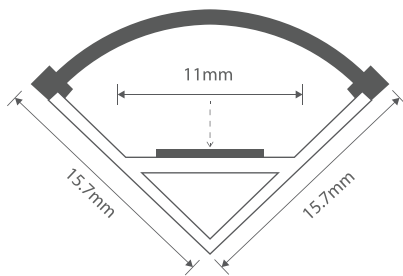
## Description

DS1616 is a Surface Mounted LED Extrusion Profile, created for liner LED strips up to 10mm wide. It is made from high-quality Aluminum. It extends the lifespan of your lighting system. This LED Aluminum profile, DS1616, is a widely used option for corner installation with a 45° angle. It includes a rounded (quarter-circle) PC cover that provides uniform 45° lighting and is an excellent solution for under-cabinet, in-cabinet, and over-cabinet Linear LED lighting.

## Technical details

Model	Power	Luminous flux	Luminous efficacy
	4.8W/m	480 lm/m	
DS1616	9.6W/m	960 lm/m	100 lm/W
	14.4W/m	1440 lm/m	

## Technical drawing



## Accessories



Profile

Endcaps

Clips

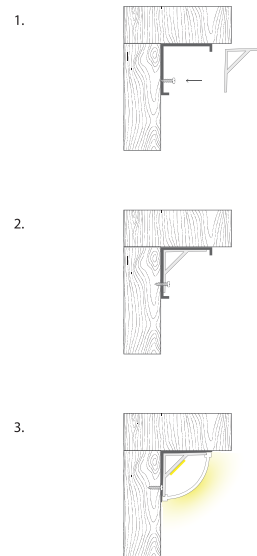
## Finish colors



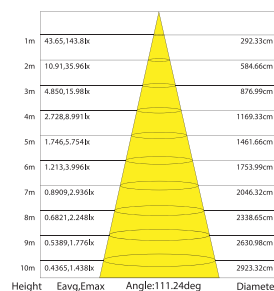
## Product Features

- Polycarbonate diffuser provides uniform light distribution
- Good Heat Dissipation
- Ease of creating Geometric figures
- 45° lighting angle
- Available in white, gold, black and silver color
- 0-1/10V dimming, dali dimming, tunable white (optional)
- Length : 1000mm / 2000mm (standard)
- IP rating : IP20 / IP40

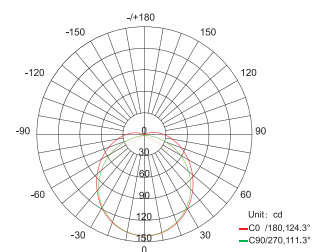
## Installation



## Diagrams



Light distribution curve



Photometric Diagram

# Suspended/Surface Mounted DS1818



## Description

DS1818 is a Surface Mounted LED Extrusion Profile, created for liner LED strips up to 10mm wide. It is made from high-quality Aluminum. It extends the lifespan of your lighting system. This LED Aluminum profile, DS1818, is a widely used option for corner installation with a 45° angle. It includes a rounded (quarter-circle) PC cover that provides uniform 45° lighting and is an excellent solution for under-cabinet, in-cabinet, and over-cabinet Linear LED lighting.

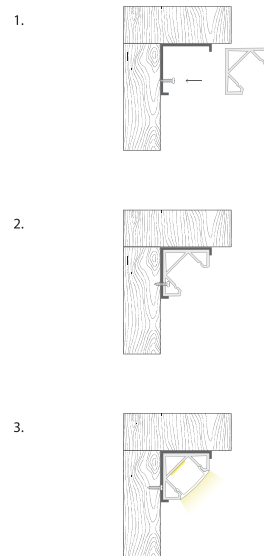
## Product Features

- Polycarbonate diffuser provides uniform light distribution
- Good Heat Dissipation
- Ease of creating Geometric figures
- 45° lighting angle
- Available in white, gold, black and silver color
- 0-1/10V dimming, dali dimming, tunable white (optional)
- Length : 1000mm / 2000mm (standard)
- IP rating : IP20 / IP40

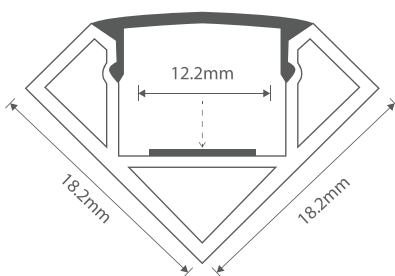
## Technical details

Model	Power	Luminous flux	Luminous efficacy
	4.8W/m	480 lm/m	
DS1818	9.6W/m	960 lm/m	100 lm/W
	14.4W/m	1440 lm/m	

## Installation



## Technical drawing



## Accessories



Profile



Endcaps

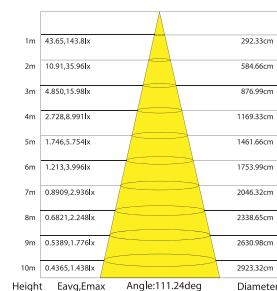


Clips

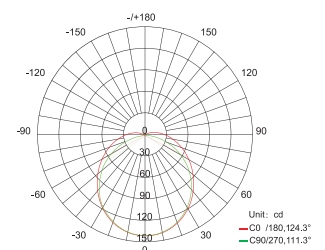
## Finish colors



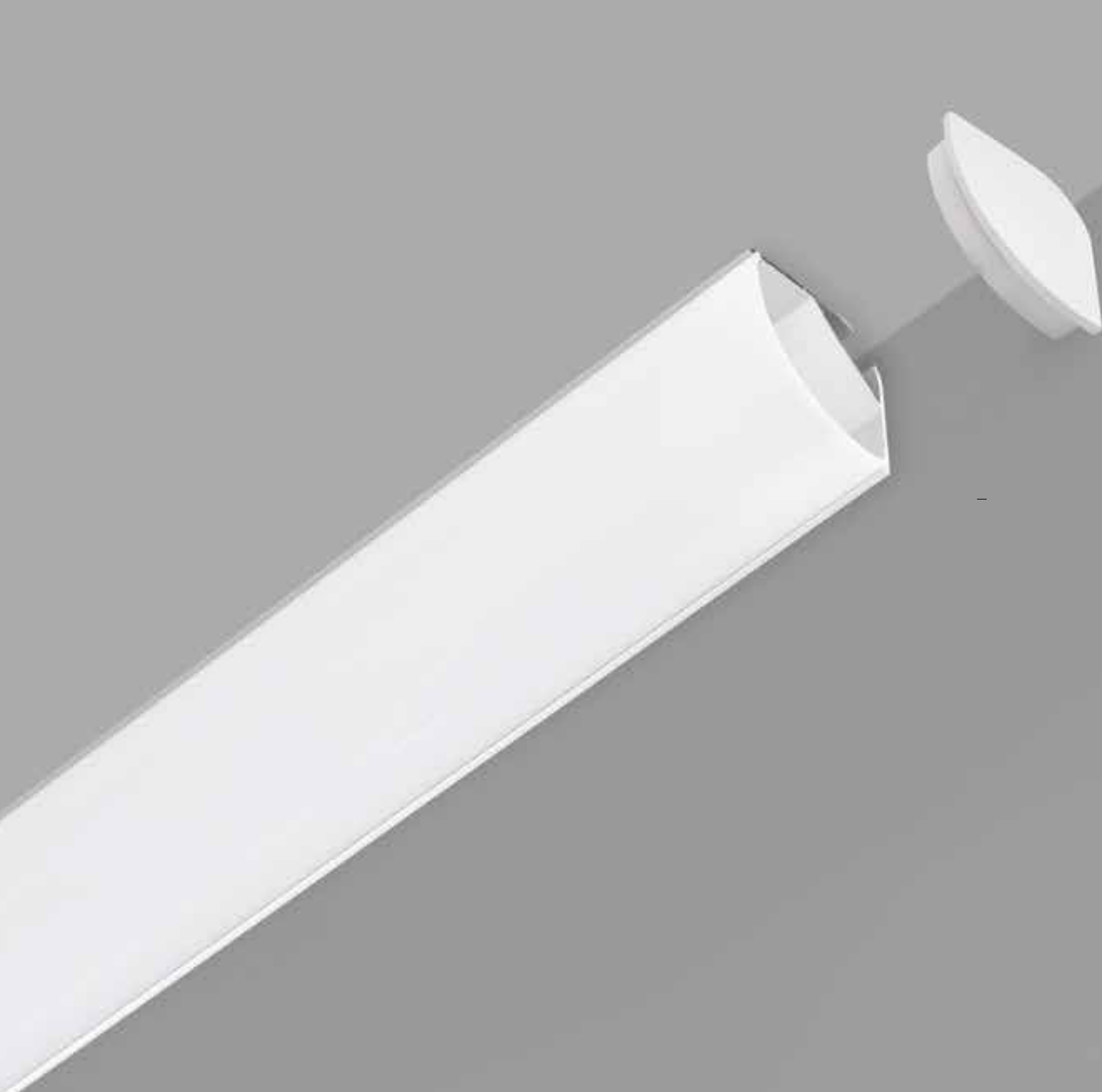
## Diagrams



Light distribution curve



Photometric Diagram



## DS0615

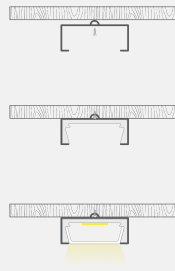
Surface mounted

Power : 4.8-14.4W/m

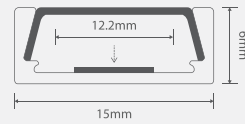
Luminous flux : 480-1440 lm/m

Luminous efficacy : 100 lm/W

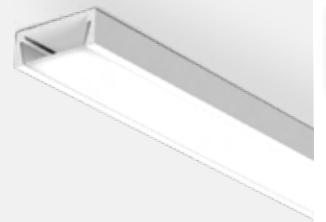
Technical Details



Installation



Dimensions



## DS0717

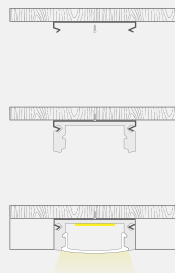
Surface mounted

Power : 4.8-14.4W/m

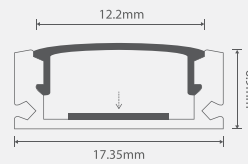
Luminous flux : 480-1440 lm/m

Luminous efficacy : 100 lm/W

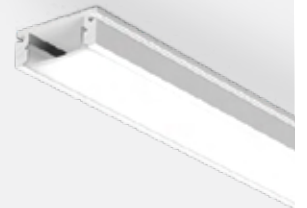
Technical Details



Installation



Dimensions



## DS0813

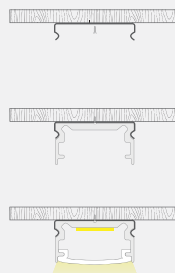
Surface mounted

Power : 4.8-14.4W/m

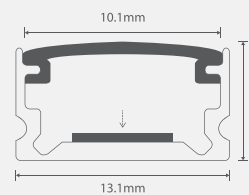
Luminous flux : 480-1440 lm/m

Luminous efficacy : 100 lm/W

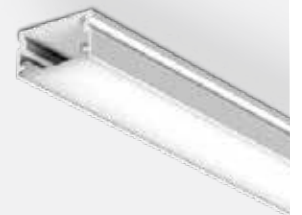
Technical Details



Installation



Dimensions



## DS0914

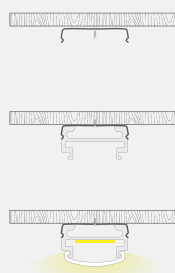
Surface mounted

Power : 4.8-14.4W/m

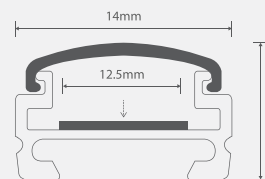
Luminous flux : 480-1440 lm/m

Luminous efficacy : 100 lm/W

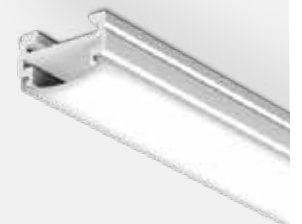
Technical Details



Installation



Dimensions



## DS0921

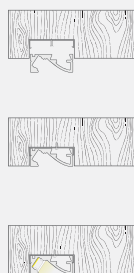
Surface mounted

Power : 4.8-14.4W/m

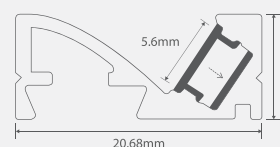
Luminous flux : 480-1440 lm/m

Luminous efficacy : 100 lm/W

Technical Details



Installation



Dimensions



## DS1020

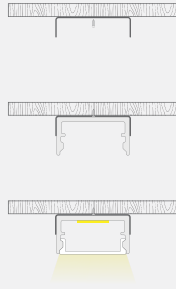
Surface mounted

Power : 4.8-21.6W/m

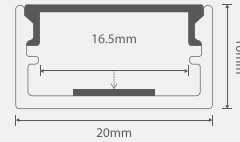
Luminous flux : 480-2592 lm/m

Luminous efficacy : 100-120 lm/W

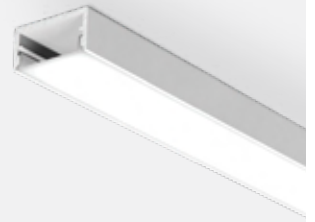
Technical Details



Installation



Dimensions



## DS1024

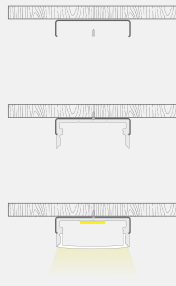
Surface mounted

Power : 4.8-21.6W/m

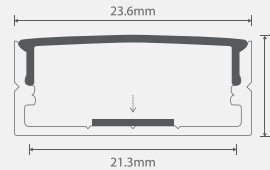
Luminous flux : 480-2592 lm/m

Luminous efficacy : 100-120 lm/W

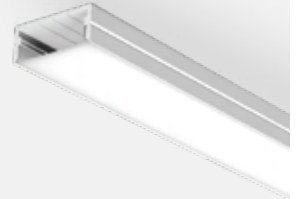
Technical Details



Installation



Dimensions



## DS1210

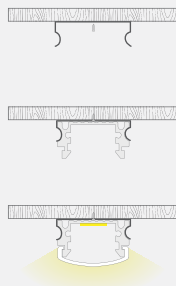
Surface mounted

Power : 4.8-14.4W/m

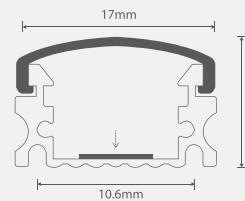
Luminous flux : 480-1440 lm/m

Luminous efficacy : 100 lm/W

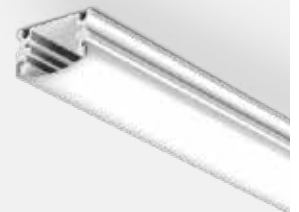
Technical Details



Installation



Dimensions



## DS1216

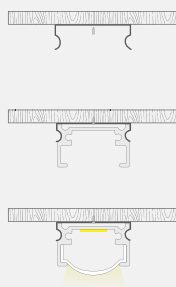
Surface mounted

Power : 4.8-14.4W/m

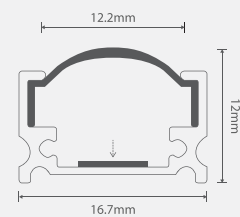
Luminous flux : 480-1440 lm/m

Luminous efficacy : 100 lm/W

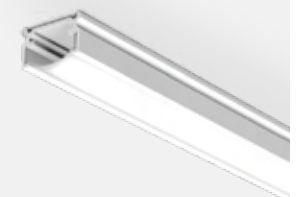
Technical Details



Installation



Dimensions



## DS1217

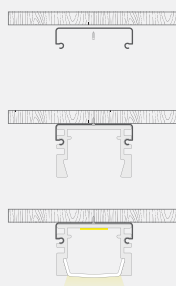
Surface mounted

Power : 4.8-14.4W/m

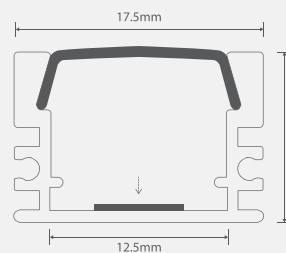
Luminous flux : 480-1440 lm/m

Luminous efficacy : 100 lm/W

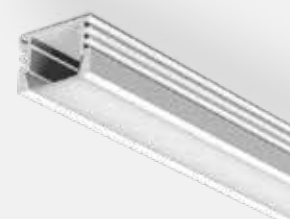
Technical Details



Installation



Dimensions



## DS1310

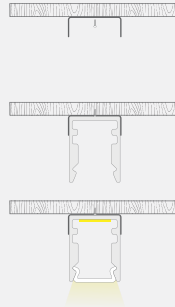
Surface mounted

Power : 4.8-14.4W/m

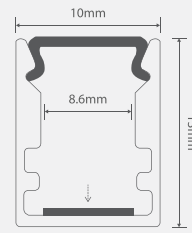
Luminous flux : 480-1440 lm/m

Luminous efficacy : 100 lm/W

Technical Details



Installation



Dimensions



## DS1312

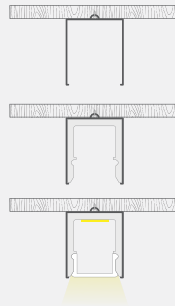
Surface mounted

Power : 4.8-14.4W/m

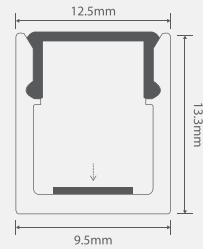
Luminous flux : 480-1440 lm/m

Luminous efficacy : 100 lm/W

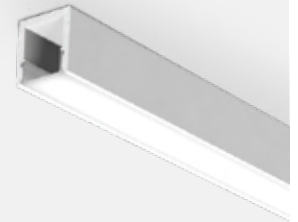
Technical Details



Installation



Dimensions



## DS1315

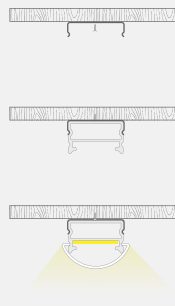
Surface mounted

Power : 4.8-14.4W/m

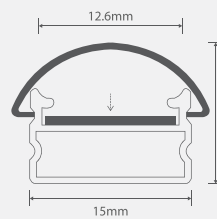
Luminous flux : 480-1440 lm/m

Luminous efficacy : 100 lm/W

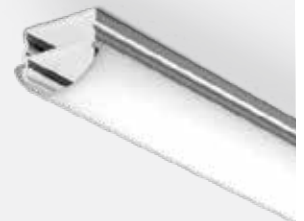
Technical Details



Installation



Dimensions



## DS1417

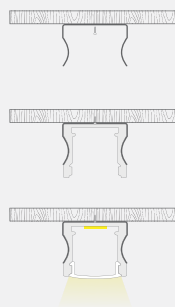
Surface mounted

Power : 4.8-14.4W/m

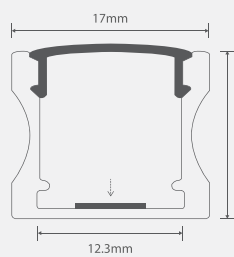
Luminous flux : 480-1440 lm/m

Luminous efficacy : 100 lm/W

Technical Details



Installation



Dimensions



## DS1418

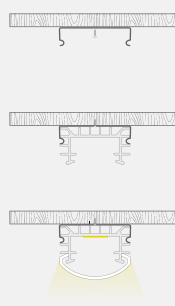
Surface mounted

Power : 4.8-14.4W/m

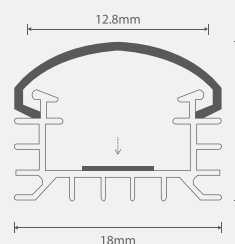
Luminous flux : 480-1440 lm/m

Luminous efficacy : 100 lm/W

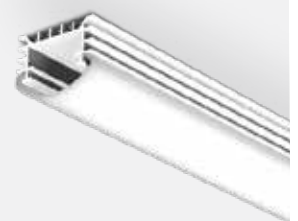
Technical Details



Installation



Dimensions



## DS1515

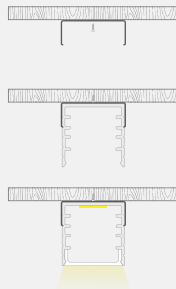
Surface mounted

Power : 4.8-14.4W/m

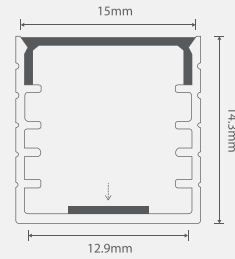
Luminous flux : 480-1440 lm/m

Luminous efficacy : 100 lm/W

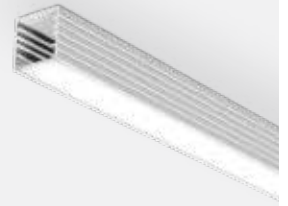
Technical Details



Installation



Dimensions



## DS1517

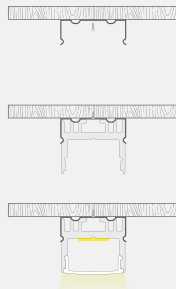
Surface mounted

Power : 4.8-14.4W/m

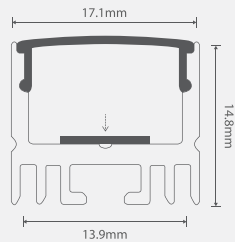
Luminous flux : 480-1440 lm/m

Luminous efficacy : 100 lm/W

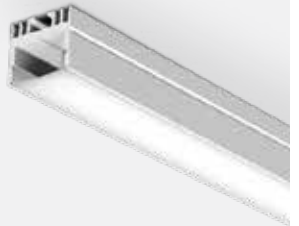
Technical Details



Installation



Dimensions



## DS2012

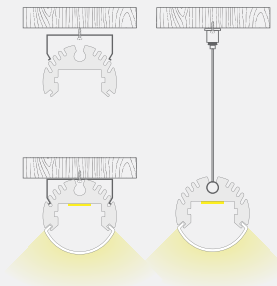
Surface mounted / Suspended

Power : 4.8-14.4W/m

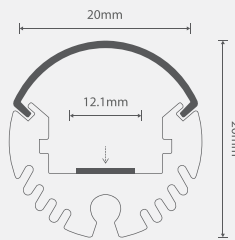
Luminous flux : 480-1440 lm/m

Luminous efficacy : 100 lm/W

Technical Details



Installation



Dimensions



## DS2020

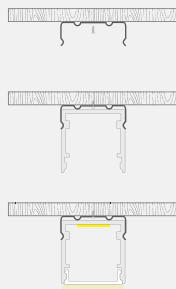
Surface mounted

Power : 4.8-21.6W/m

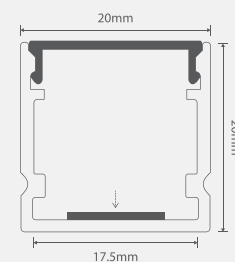
Luminous flux : 480-2592 lm/m

Luminous efficacy : 100 lm/W

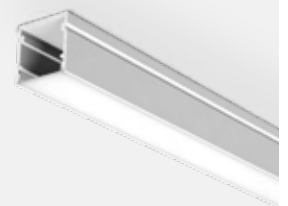
Technical Details



Installation



Dimensions



## DS2030

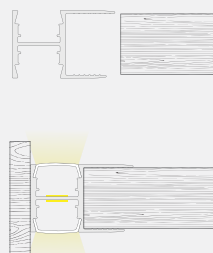
Surface mounted

Power : 4.8-14.4W/m

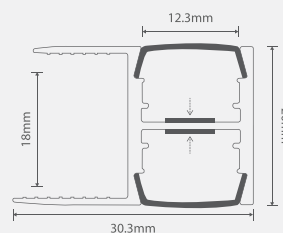
Luminous flux : 480-1440 lm/m

Luminous efficacy : 100 lm/W

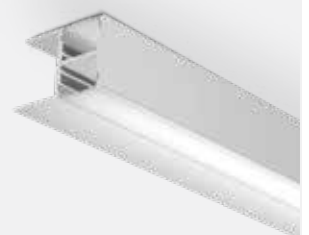
Technical Details



Installation



Dimensions



## DS2123

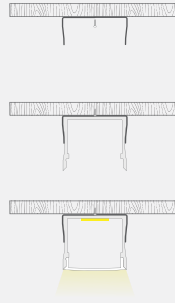
Surface mounted

Power : 4.8-21.6W/m

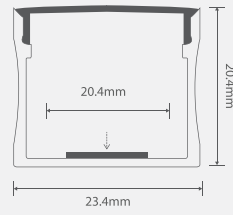
Luminous flux : 480-2592 lm

Luminous efficacy : 100-120 lm/W

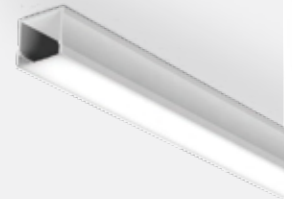
Technical Details



Installation



Dimensions



## DS2636

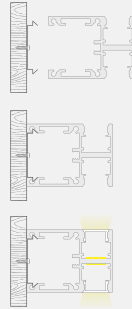
Surface mounted

Power : 4.8-14.4W/m

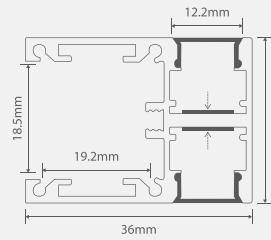
Luminous flux : 480-1440 lm/m

Luminous efficacy : 100 lm/W

Technical Details



Installation



Dimensions



## DS2724

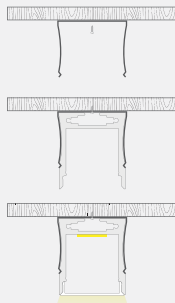
Surface mounted

Power : 4.8-21.6W/m

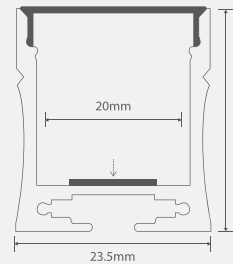
Luminous flux : 480-2592 lm

Luminous efficacy : 100-120 lm/W

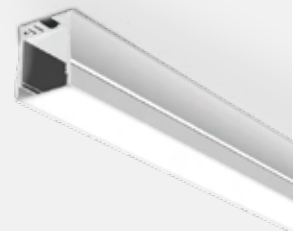
Technical Details



Installation



Dimensions



## DS3030

Surface mounted

Power : 4.8-21.6W/m

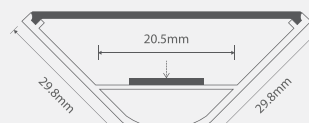
Luminous flux : 480-2592 lm

Luminous efficacy : 100-120 lm/W

Technical Details



Installation



Dimensions



## DS5050

Surface mounted

Power : 4.8-14.4W/m

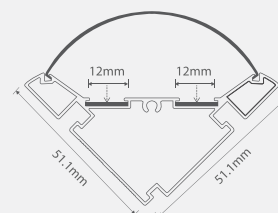
Luminous flux : 480-1440 lm/m

Luminous efficacy : 100 lm/W

Technical Details

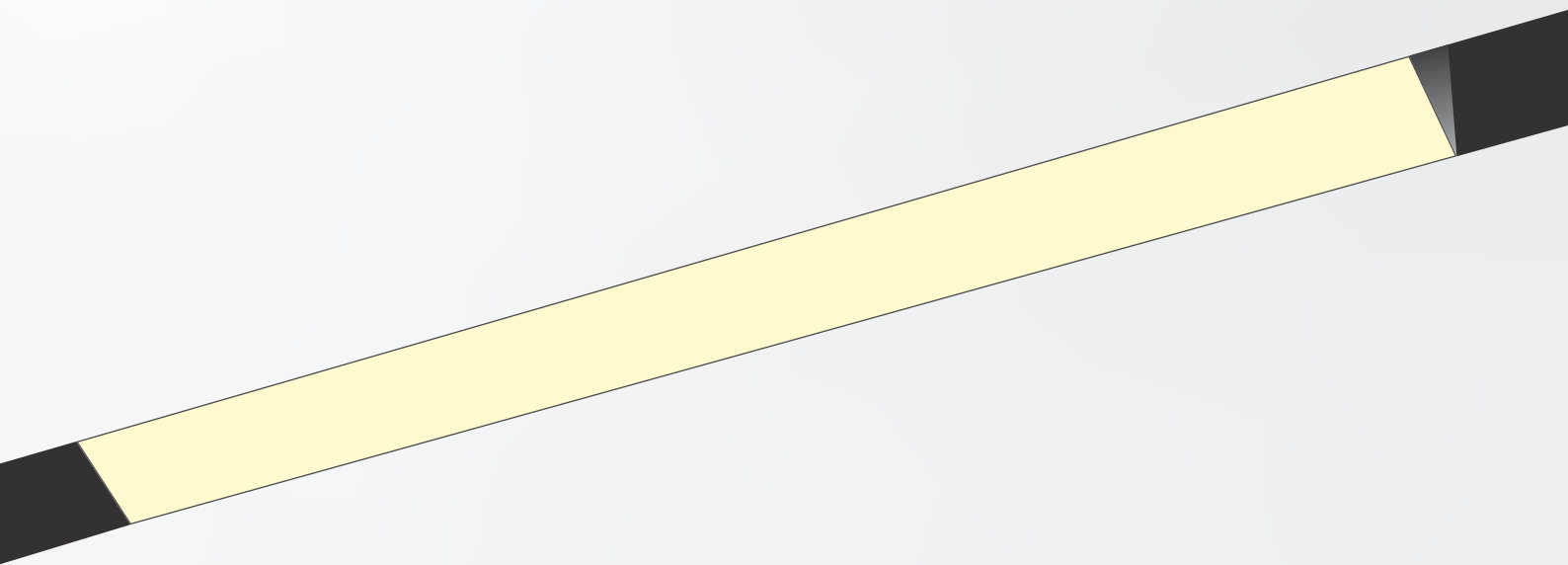


Installation



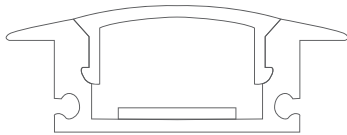
Dimensions



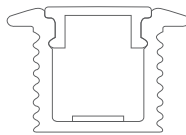


# Slim Linear Profile

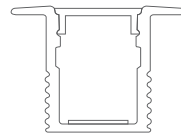
## Recessed Mounted



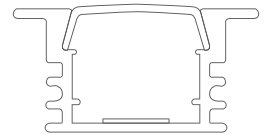
DR0724



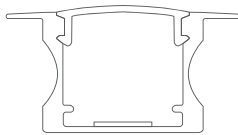
DR0911



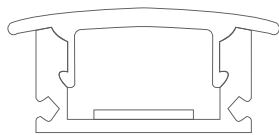
DR1213



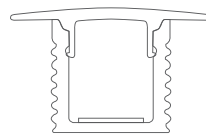
DR1214



DR1425



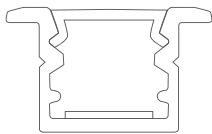
DR0722



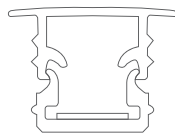
DR0908



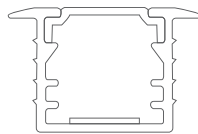
DR1030



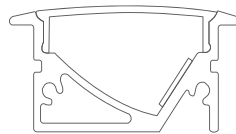
DR1015



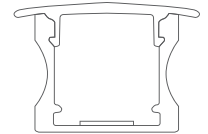
DR1114



DR1217



DR1430



DR1522



# Recessed Mounted DR0724



## Description

DR0724 is a Recessed Mounted LED Extrusion Profile, designed for LED strips up to 10mm width. It is made from high-quality Aluminum. These Extrusions provide a prolonged lifespan of the lighting system. The End caps protect the LED Aluminum Extrusion from dust and other undesirable elements.

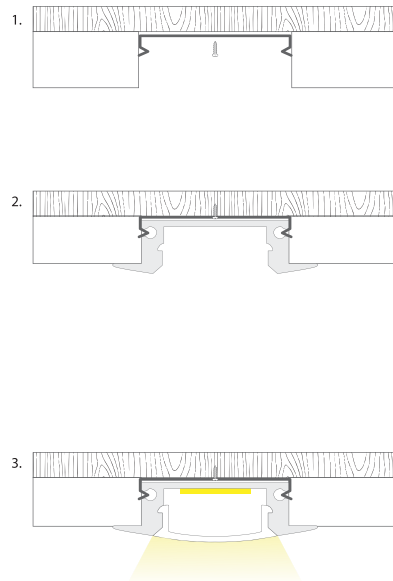
## Product Features

- Polycarbonate diffuser provides uniform light distribution
- Available in white, gold, black and silver color
- 0-1/10V dimming, dali dimming, tunable white (optional)
- Length : 1000mm / 2000mm (standard)
- IP rating : IP20 / IP40

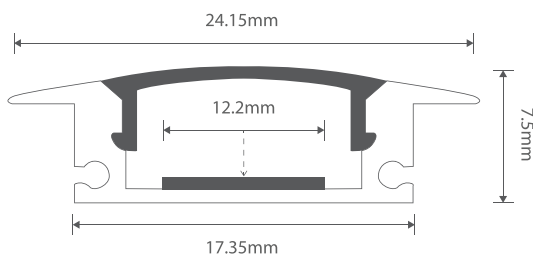
## Technical details

Model	Power	Luminous flux	Luminous efficacy
DR0724	4.8W/m	480 lm/m	100 lm/W
	9.6W/m	960 lm/m	
	14.4W/m	1440 lm/m	

## Installation



## Technical drawing



## Accessories



Profile

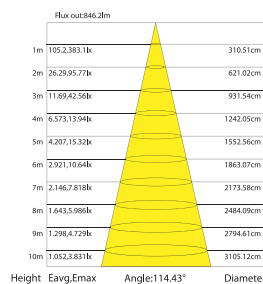
Endcaps

Clips

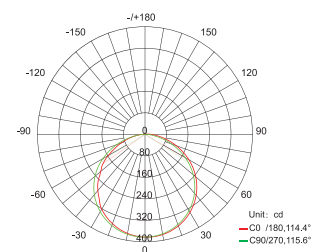
## Finish colors



## Diagrams



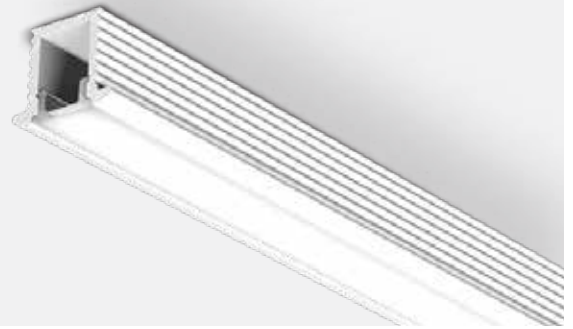
Light distribution curve



AVERAGE BEAM ANGLE (50%): 115.0°

Photometric Diagram

# Recessed Mounted DR0911



## Description

DR0911 is a Recessed Mounted LED Extrusion Profile, designed for LED strips up to 8mm width. It is made from high-quality Aluminum. These Extrusions provide a prolonged lifespan of the lighting system. The End caps protect the LED Aluminum Extrusion from dust and other undesirable elements.

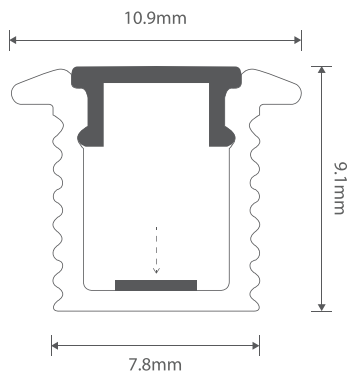
## Product Features

- Polycarbonate diffuser provides uniform light distribution
- Available in white, gold, black and silver color
- 0-1/10V dimming, dali dimming, tunable white (optional)
- Length : 1000mm / 2000mm (standard)
- IP rating : IP20 / IP40

## Technical details

Model	Power	Luminous flux	Luminous efficacy
	4.8W/m	480 lm/m	
DR0911	9.6W/m	960 lm/m	100 lm/W
	14.4W/m	1440 lm/m	

## Technical drawing



## Accessories



Profile



Endcaps

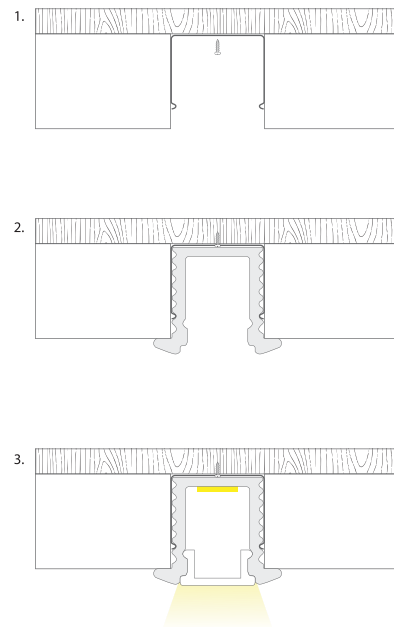


Clips

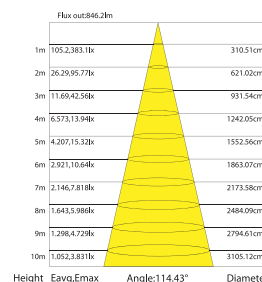
## Finish colors



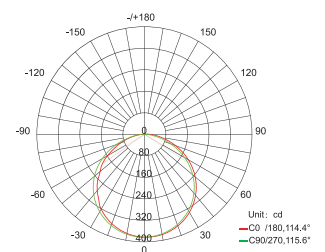
## Installation



## Diagrams

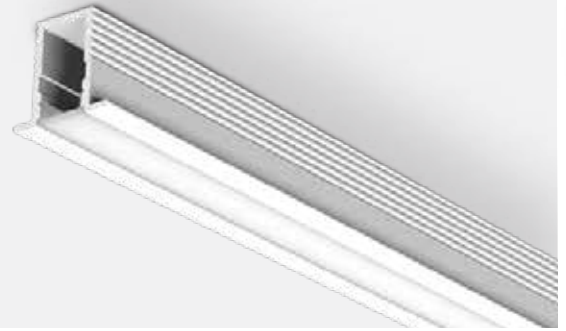


Light distribution curve



Photometric Diagram

# Recessed Mounted DR1213



## Description

DR1213 is a Recessed Mounted LED Extrusion Profile, designed for LED strips up to 5mm width. It is made from high-quality Aluminum. These Extrusions provide a prolonged lifespan of the lighting system. The End caps protect the LED Aluminum Extrusion from dust and other undesirable elements.

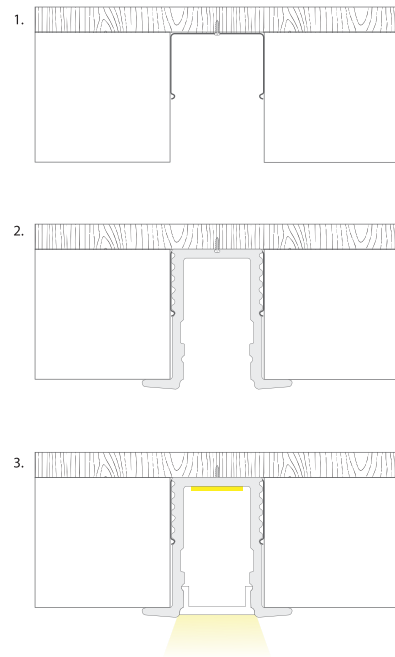
## Product Features

- Polycarbonate diffuser provides uniform light distribution
- Available in white, gold, black and silver color
- 0-1/10V dimming, dali dimming, tunable white (optional)
- Length : 1000mm / 2000mm (standard)
- IP rating : IP20 / IP40

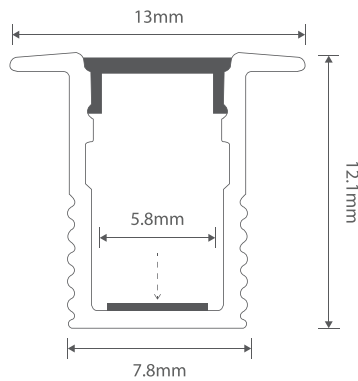
## Technical details

Model	Power	Luminous flux	Luminous efficacy
	4.8W/m	480 lm/m	
DR1213	9.6W/m	960 lm/m	100 lm/W
	14.4W/m	1440 lm/m	

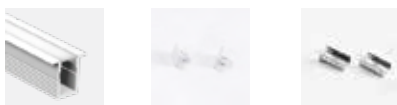
## Installation



## Technical drawing



## Accessories



Profile

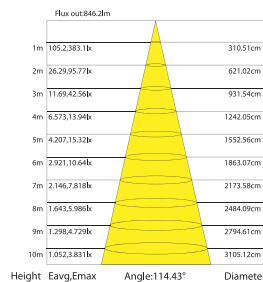
Endcaps

Clips

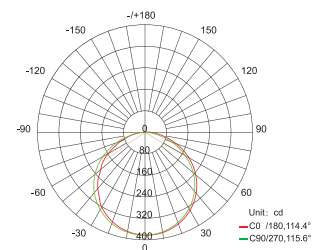
## Finish colors



## Diagrams



Light distribution curve



AVERAGE BEAM ANGLE (50%): 115.0°

Photometric Diagram

# Recessed Mounted DR1224



## Description

DR1224 is a Recessed Mounted LED Extrusion profile, designed for LED strips up to 8mm width. It is made from high-quality Aluminum. These Extrusions provide a prolonged lifespan of the lighting system. The End caps protect the LED Aluminum Extrusion from dust and other undesirable elements.

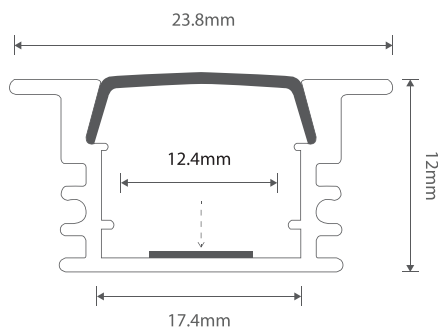
## Product Features

- Polycarbonate diffuser provides uniform light distribution
- Available in white, gold, black and silver color
- 0-1/10V dimming, dali dimming, tunable white (optional)
- Length : 1000mm / 2000mm (standard)
- IP rating : IP20 / IP40

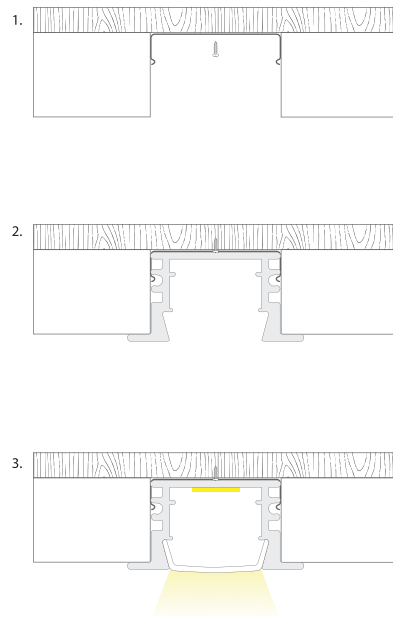
## Technical details

Model	Power	Luminous flux	Luminous efficacy
DR1224	4.8W/m	480 lm/m	100 lm/W
	9.6W/m	960 lm/m	
	14.4W/m	1440 lm/m	

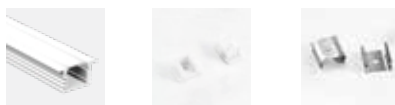
## Technical drawing



## Installation



## Accessories



Profile

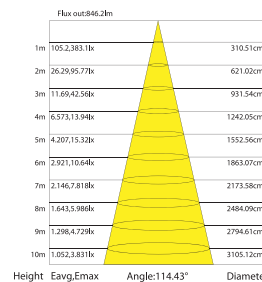
Endcaps

Clips

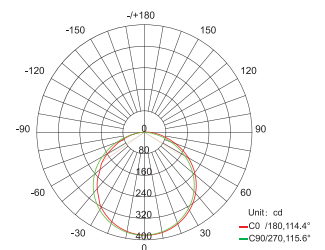
## Finish colors



## Diagrams

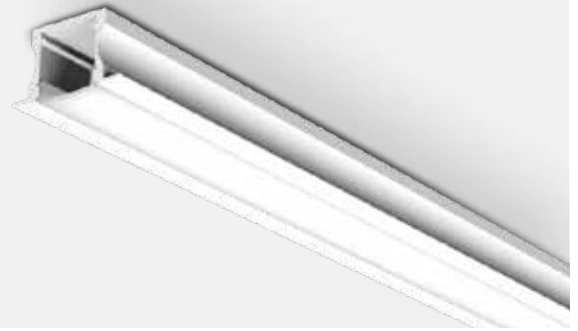


Light distribution curve



Photometric Diagram

# Recessed Mounted DR1425



## Description

DR1425 is a Recessed Mounted LED Extrusion Profile, designed for LED strips up to 8mm width. It is made from high-quality Aluminum. These Extrusions provide a prolonged lifespan of the lighting system. The End caps protect the LED Aluminum Extrusion from dust and other undesirable elements.

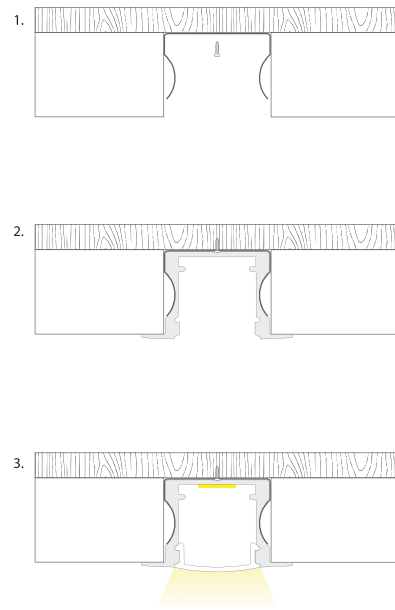
## Product Features

- Polycarbonate diffuser provides uniform light distribution
- Available in white, gold, black and silver color
- 0-1/10V dimming, dali dimming, tunable white (optional)
- Length : 1000mm / 2000mm (standard)
- IP rating : IP20 / IP40

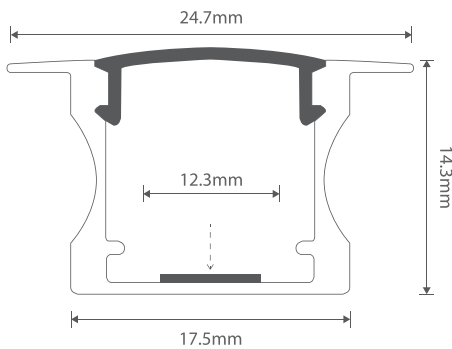
## Technical details

Model	Power	Luminous flux	Luminous efficacy
	4.8W/m	480 lm/m	
DR1425	9.6W/m	960 lm/m	100 lm/W
	14.4W/m	1440 lm/m	

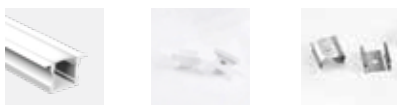
## Installation



## Technical drawing



## Accessories



Profile

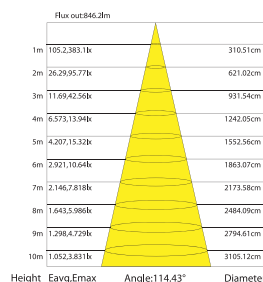
Endcaps

Clips

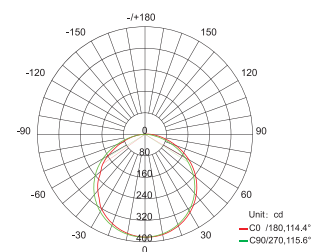
## Finish colors



## Diagrams



Light distribution curve



Photometric Diagram



## DR0722

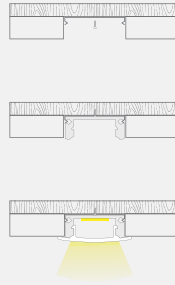
**Recessed mounted**

Power : 4.8-14.4W/m

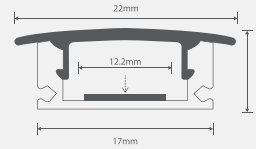
Luminous flux : 480-1440 lm/m

Luminous efficacy : 100 lm/W

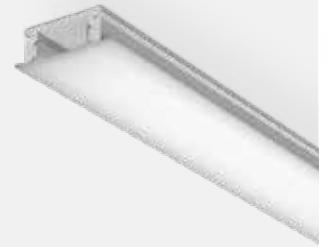
Technical Details



Installation



Dimensions



## DR0908

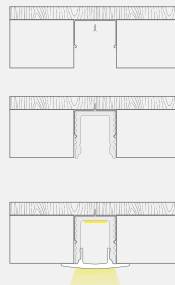
**Recessed mounted**

Power : 4.8-14.4W/m

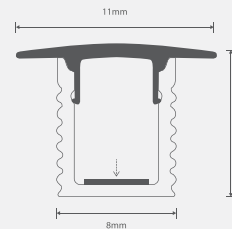
Luminous flux : 480-1440 lm/m

Luminous efficacy : 100 lm/W

Technical Details



Installation



Dimensions



## DR1030

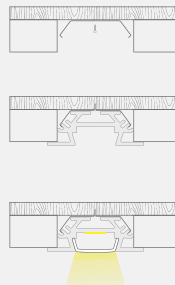
**Recessed mounted**

Power : 4.8-14.4W/m

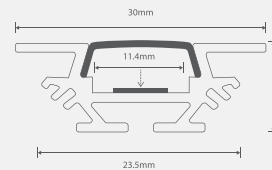
Luminous flux : 480-1440 lm/m

Luminous efficacy : 100 lm/W

Technical Details



Installation



Dimensions



## DR1015

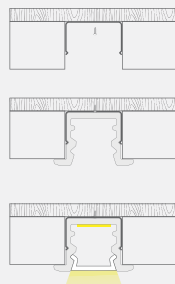
**Recessed mounted**

Power : 4.8-14.4W/m

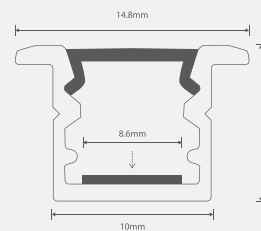
Luminous flux : 480-1440 lm/m

Luminous efficacy : 100 lm/W

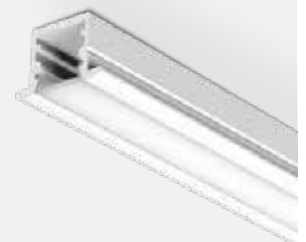
Technical Details



Installation



Dimensions



## DR1114

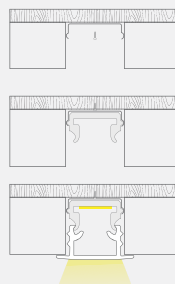
**Recessed mounted**

Power : 4.8-14.4W/m

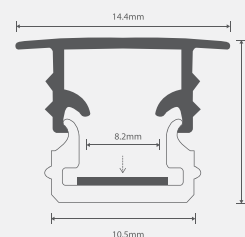
Luminous flux : 480-1440 lm/m

Luminous efficacy : 100 lm/W

Technical Details



Installation



Dimensions



## DR1217

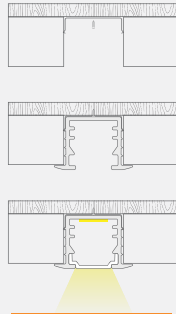
Recessed mounted

Power : 4.8-14.4W/m

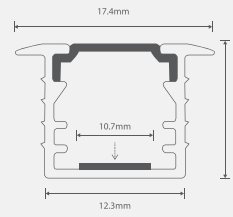
Luminous flux : 480-1440 lm/m

Luminous efficacy : 100 lm/W

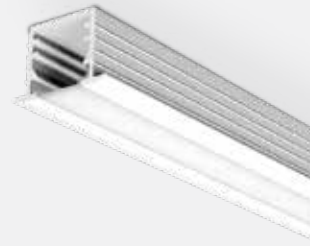
Technical Details



Installation



Dimensions



## DR1430

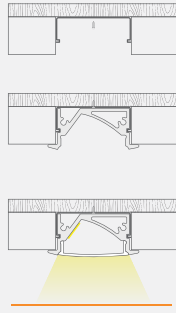
Recessed mounted

Power : 4.8-14.4W/m

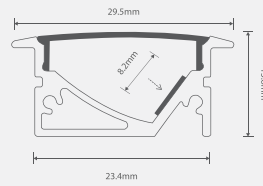
Luminous flux : 480-1440 lm/m

Luminous efficacy : 100 lm/W

Technical Details



Installation



Dimensions



## DR1522

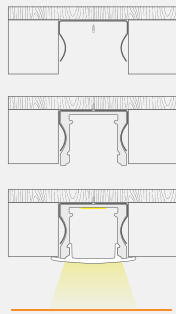
Recessed mounted

Power : 4.8-14.4W/m

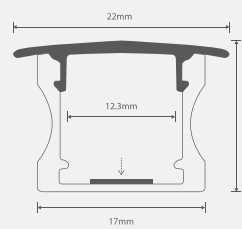
Luminous flux : 480-1440 lm/m

Luminous efficacy : 100 lm/W

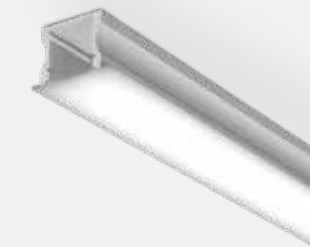
Technical Details



Installation



Dimensions







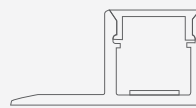
# Special Application



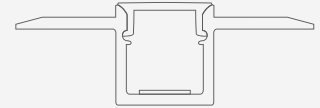
DSP0924



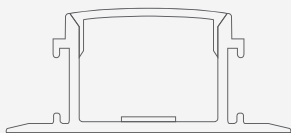
DSP0939



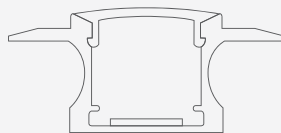
DSP1333



DSP1355



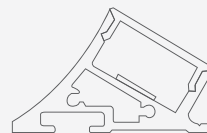
DSP1462



DSP1557



DSP1655



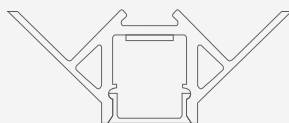
DSP1836



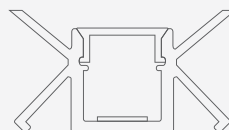
DSP1897



DSP1929



DSP2250



DSP2446



DSP2720



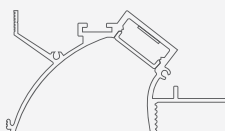
DSP3650



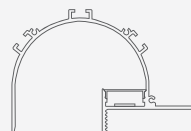
DSP3598



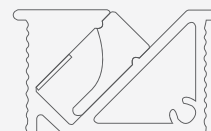
DSP45106



DSP5889



DSP68100



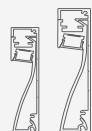
DSP0916



DSP1340



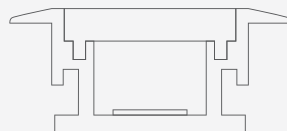
DSP1348



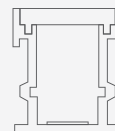
DSP1660



DSP1868



DSP1127



DSP2621



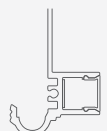
DSP19120



DSP1997



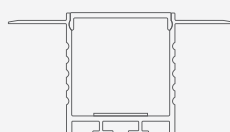
DSP19134



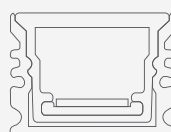
DSP2649



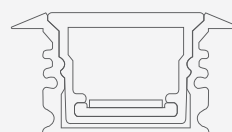
DSP2766



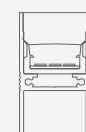
DSP3572



DSP1317



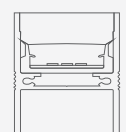
DSP1325



DSP4425



DSP5230



DSP5250



# Special Application DSP0939



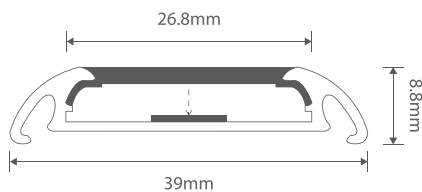
## Description

DSP0939 is a Special Application LED Extrusion Profile, designed for LED strips up to 25mm width. It is made from high-quality Aluminum. These Extrusions provide a prolonged lifespan of the lighting system. The Profile has been designed to work as Surface mounted.

## Technical details

Model	Power	Luminous flux	Luminous efficacy
	4.8W/m	480 lm/m	100 lm/W
	9.6W/m	960 lm/m	
DSP0939	14.4W/m	1440 lm/m	120 lm/W
	21.6W/m	2592 lm/m	
	25.92W/m	3110 lm/m	

## Technical drawing



## Accessories



Profile



Endcaps



Clips

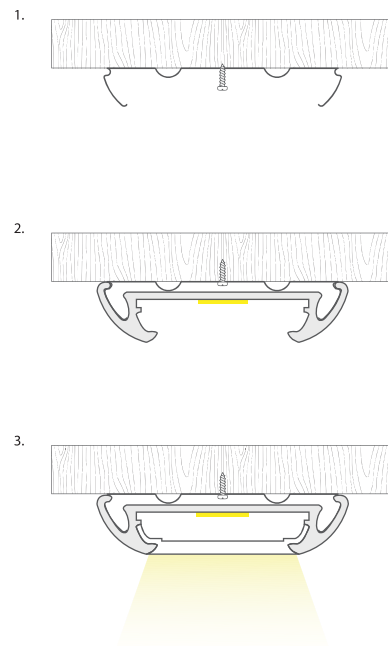
## Finish colors



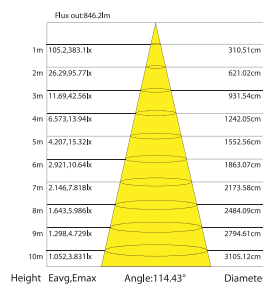
## Product Features

- Polycarbonate diffuser provides uniform light distribution
- Invisible groove edge
- Available in white, gold, black and silver color
- 0-1/10V dimming, dali dimming, tunable white (optional)
- Length : 1000mm / 2000mm (standard)
- IP rating : IP20 / IP40

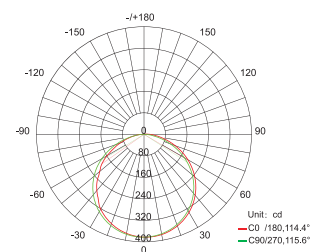
## Installation



## Diagrams



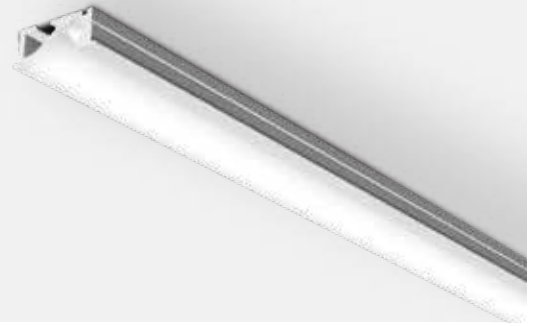
Light distribution curve



AVERAGE BEAM ANGLE (50%): 115.0°

Photometric Diagram

# Special Application DSP0924



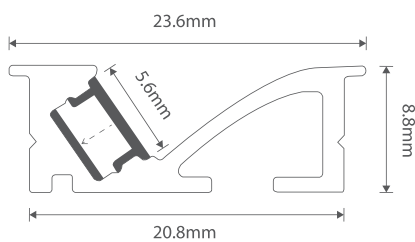
## Description

DSP0924 is a Special Application LED Extrusion Profile, designed for LED strips up to 5mm width. It is made from high-quality Aluminum. These Extrusions provide a prolonged lifespan of the lighting system. The Profile has been designed to work as cabinet mounted and used for cabinet lighting.

## Technical details

Model	Power	Luminous flux	Luminous efficacy
	4.8W/m	480 lm/m	
DSP0924	9.6W/m	960 lm/m	100 lm/W
	14.4W/m	1440 lm/m	

## Technical drawing



## Accessories



Profile



Endcaps

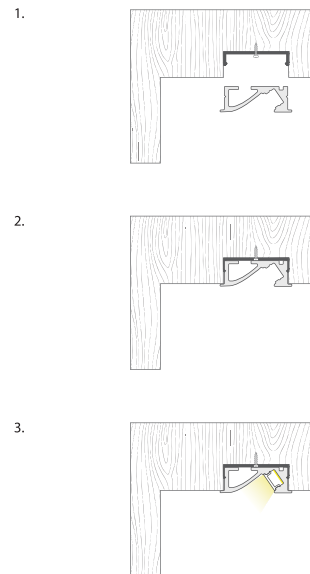
## Finish colors



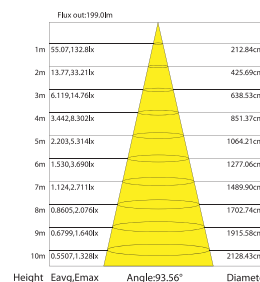
## Product Features

- Polycarbonate diffuser provides uniform light distribution
- Invisible groove edge
- Available in white, gold, black and silver color
- 0-1/10V dimming, dali dimming, tunable white (optional)
- Length : 1000mm / 2000mm (standard)
- IP rating : IP20 / IP40

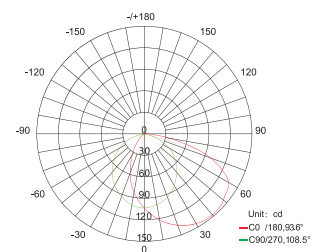
## Installation



## Diagrams



Light distribution curve



Photometric Diagram

# Special Applications DSP1333



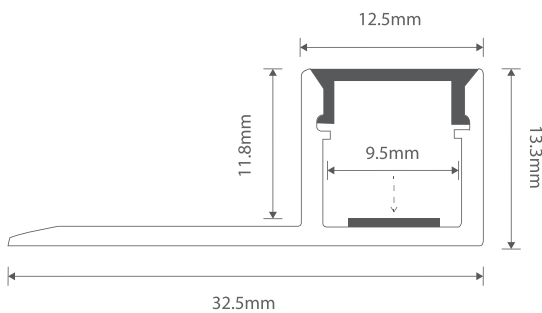
## Description

DSP1333 is a Special Application LED Extrusion Profile, designed for LED strips up to 14mm width. It is made from high-quality Aluminum. These Extrusions provide a prolonged lifespan of the lighting system. The Profile has been designed to work as Dry wall mounted or Recessed mounted.

## Technical details

Model	Power	Luminous flux	Luminous efficacy
	4.8w	480lm	
DSP1333	9.6w	960lm	100lm/w
	14.4w	1440lm	

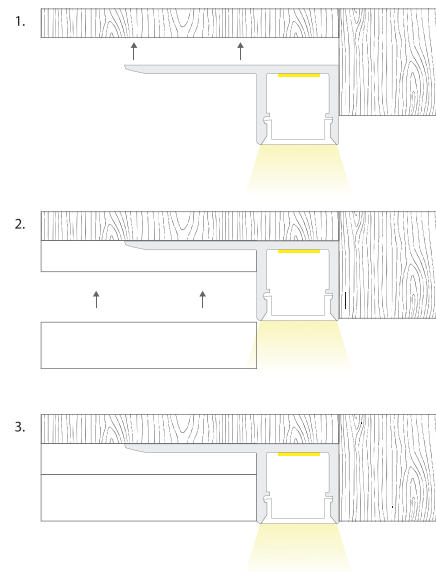
## Technical drawing



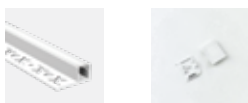
## Product Features

- Polycarbonate diffuser provides uniform light distribution
- Available in white, gold, black and silver color
- 0-1/10V dimming, dali dimming, tunable white (optional)
- Length : 1000mm / 2000mm (standard)
- IP rating : IP20 / IP40

## Installation



## Accessories



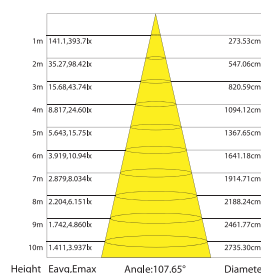
Profile

Endcaps

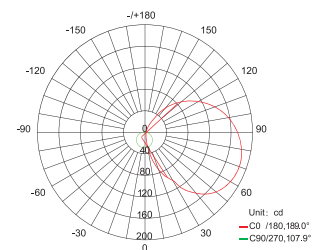
## Finish colors



## Diagrams

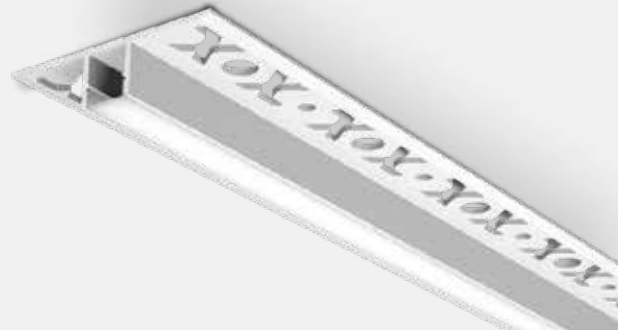


Light distribution curve



Photometric Diagram

# Special Applications DSP1355



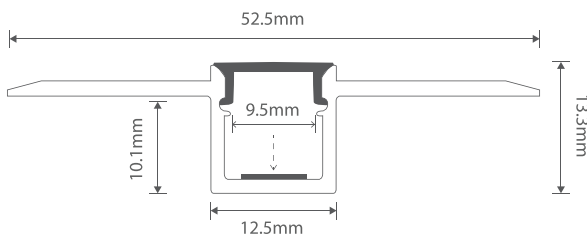
## Description

DSP1355 is a Special Application LED Extrusion Profile, designed for LED strips up to 8mm width. It is made from high-quality Aluminum. These Extrusions provide a prolonged lifespan of the lighting system. The Profile has been designed to work as Recessed mounted.

## Technical details

Model	Power	Luminous flux	Luminous efficacy
DSP1355	4.8W/m	480 lm/m	100 lm/W
	9.6W/m	960 lm/m	
	14.4W/m	1440 lm/m	

## Technical drawing



## Accessories



Profile



Endcaps

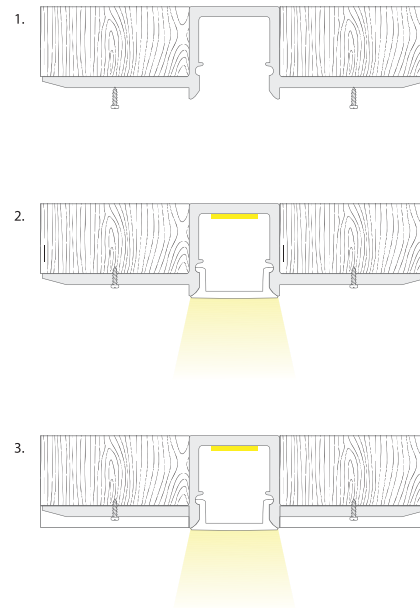
## Finish colors



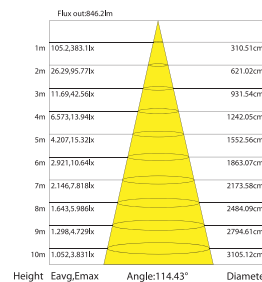
## Product Features

- Polycarbonate diffuser provides uniform light distribution
- Available in white, gold, black and silver color
- 0-1/10V dimming, dali dimming, tunable white (optional)
- Length : 1000mm / 2000mm (standard)
- IP rating : IP20 / IP40

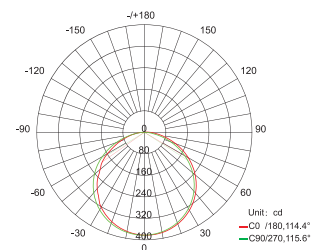
## Installation



## Diagrams



Light distribution curve



Photometric Diagram

# Special Applications DSP1462



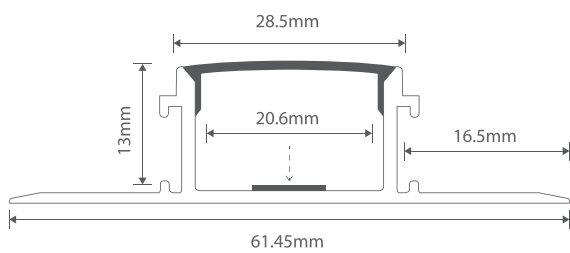
## Description

DSP1462 is a Special Application LED Extrusion Profile designed for LED strips up to 14mm width. It is made from high-quality Aluminum. These Extrusions provide a prolonged lifespan of the lighting system. The Profile has been designed to work as Recessed mounted.

## Technical details

Model	Power	Luminous flux	Luminous efficacy
DSP1462	4.8W/m	480 lm/m	100 lm/W
	9.6W/m	960 lm/m	
	14.4W/m	1440 lm/m	100 lm/W
	21.6W/m	2592 lm/m	

## Technical drawing



## Accessories



Profile

Endcaps

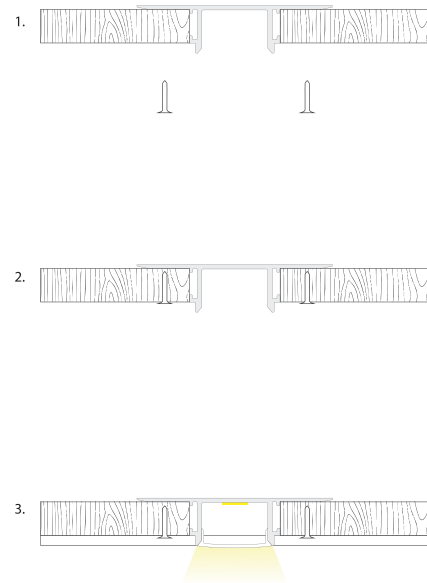
## Finish colors



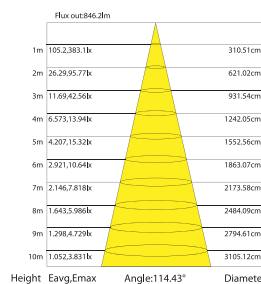
## Product Features

- Polycarbonate diffuser provides uniform light distribution
- Available in white, gold, black and silver color
- 0-1/10V dimming, dali dimming, tunable white (optional)
- Length : 1500mm / 3000mm (standard)
- IP rating : IP20 / IP40

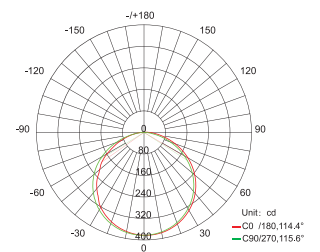
## Installation



## Diagrams



Light distribution curve



AVERAGE BEAM ANGLE(50%): 115.0°

Photometric Diagram

# Special Applications DSP1557



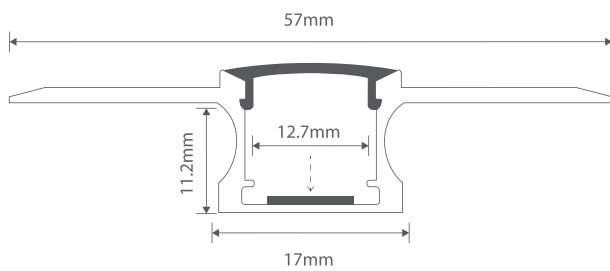
## Description

DSP1557 is a Special Application LED Extrusion Profile, designed for LED strips up to 8mm width. It is made from high-quality Aluminum. These extrusions provide a prolonged lifespan of the lighting system. The Profile has been designed to work as Recessed mounted.

## Technical details

Model	Power	Luminous flux	Luminous efficacy
DSP1557	4.8W/m	480 lm/m	100 lm/W
	9.6W/m	960 lm/m	
	14.4W/m	1440 lm/m	

## Technical drawing



## Accessories



Profile



Endcaps

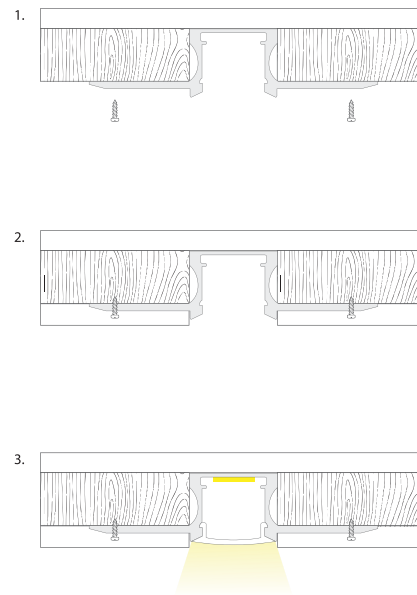
## Finish colors



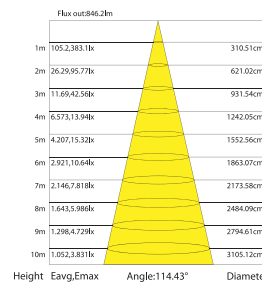
## Product Features

- Polycarbonate diffuser provides uniform light distribution
- Available in white, gold, black and silver color
- 0-1/10V dimming, dali dimming, tunable white (optional)
- Length : 1500mm/3000mm (standard)
- IP rating : IP20 / IP40

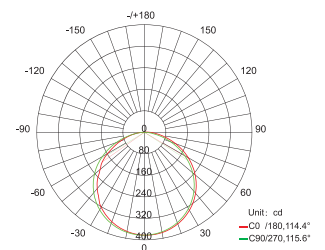
## Installation



## Diagrams



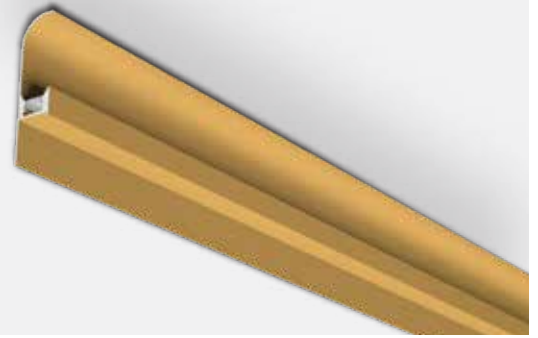
Light distribution curve



Photometric Diagram



# Special Applications DSP1566



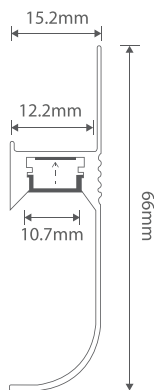
## Description

DSP1566 is a Special Application LED Extrusion Profile, designed for LED strips up to 8mm width. It is made from high-quality Aluminum. These Extrusions provide a prolonged lifespan of the lighting system. The Profile has been designed for Skirting application.

## Technical details

Model	Power	Luminous flux	Luminous efficacy
	4.8W/m	480 lm/m	
DSP1566	9.6W/m	960 lm/m	100 lm/W
	14.4W/m	1440 lm/m	

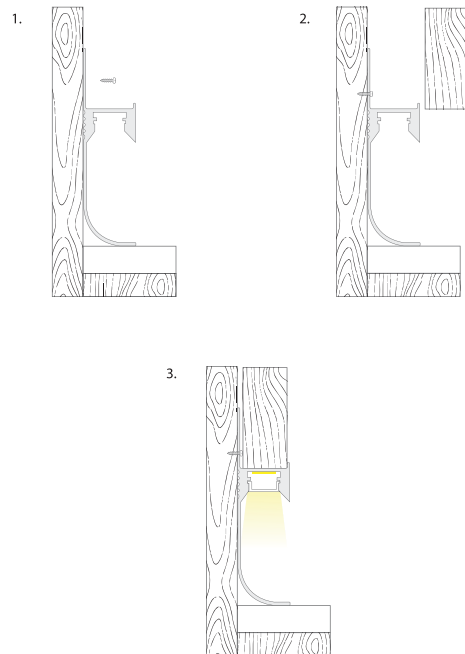
## Technical drawing



## Product Features

- Polycarbonate diffuser provides uniform light distribution
- Available in white, gold, black and silver color
- 0-1/10V dimming, dali dimming, tunable white (optional)
- Length : 1000mm / 2000mm (standard)
- IP rating : IP20 / IP40

## Installation



## Accessories



Profile

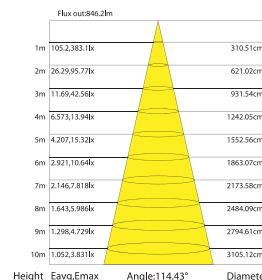


Endcaps

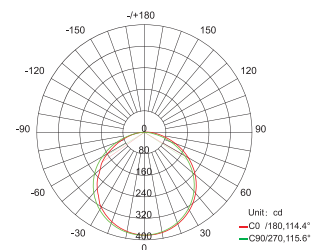
## Finish colors



## Diagrams



Light distribution curve



Photometric Diagram

# Special Application DSP1836



## Description

DSP1836 is a Special Application LED Extrusion Profile, designed for LED strips up to 8mm width. It is made from high-quality Aluminum. These Extrusions provide a prolonged lifespan of the lighting system. The Profile has been designed to work as Surface mounted.

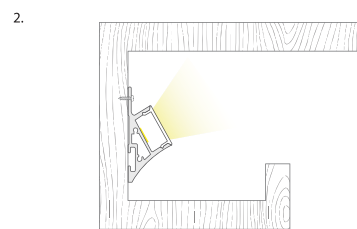
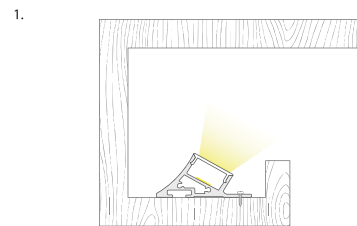
## Product Features

- Polycarbonate diffuser provides uniform light distribution
- Available in white, gold, black and silver color
- 0-1/10V dimming, dali dimming, tunable white (optional)
- Length : 1000mm / 2000mm (standard)
- IP rating : IP20 / IP40

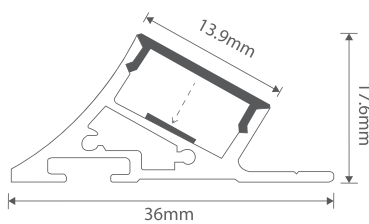
## Technical details

Model	Power	Luminous flux	Luminous efficacy
	4.8W/m	480 lm/m	
DSP1836	9.6W/m	960 lm/m	100 lm/W
	14.4W/m	1440 lm/m	

## Installation



## Technical drawing



## Accessories



Profile

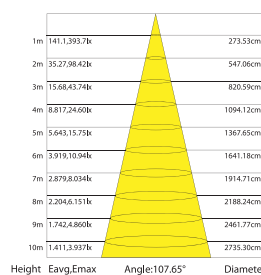


Endcaps

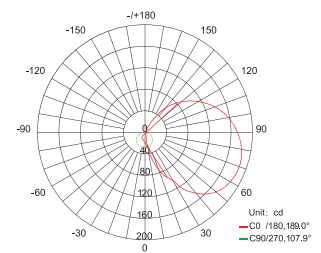
## Finish colors



## Diagrams



Light distribution curve



Photometric Diagram

# Special Applications DSP1897



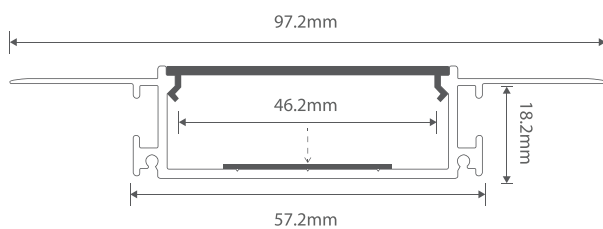
## Description

DSP1897 is a Special Application LED Extrusion Profile, designed for LED strips up to 28mm width. It is made from high-quality Aluminum. These Extrusions provide a prolonged lifespan of the lighting system. The Profile has been designed to work as Recessed mounted.

## Technical details

Model	Power	Luminous flux	Luminous efficacy
DSP1897	21.6W/m	2592 lm/m	120 lm/W
	25.92W/m	3110 lm/m	
	37.44W/m	4492 lm/m	
	38.88W/m	4665 lm/m	

## Technical drawing



## Accessories



Profile



Endcaps

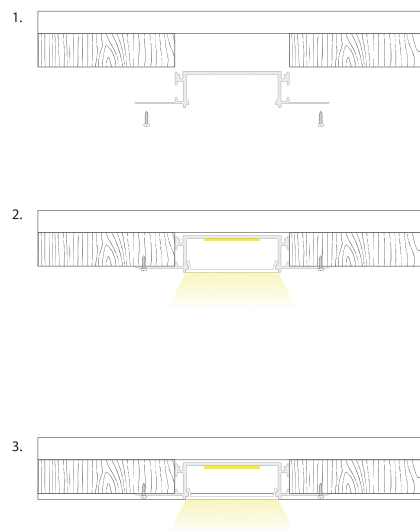
## Finish colors



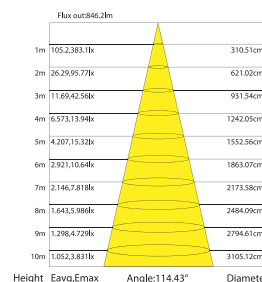
## Product Features

- Polycarbonate diffuser provides uniform light distribution
- Available in white, gold, black and silver color
- 0-1/10V dimming, dali dimming, tunable white (optional)
- Length : 1500mm / 3000mm (standard)
- IP rating : IP20 / IP40

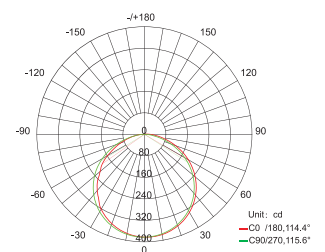
## Installation



## Diagrams

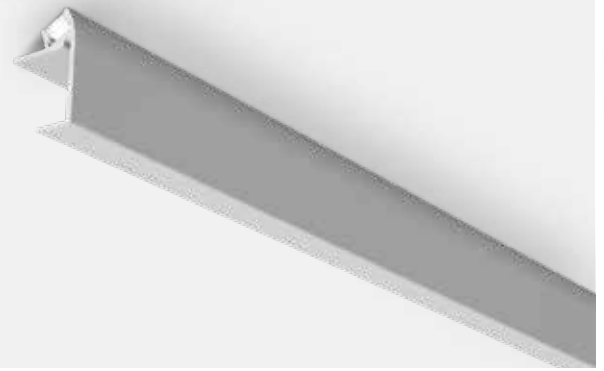


Light distribution curve



Photometric Diagram

# Special Application DSP1929



## Description

DSP1929 is a Special Application LED Extrusion Profile, designed for LED strips up to 5mm width. It is made from high-quality Aluminum. These Extrusions provide a prolonged lifespan of the lighting system. The Profile has been designed to work as Cabinet mounted and used for cabinet lighting.

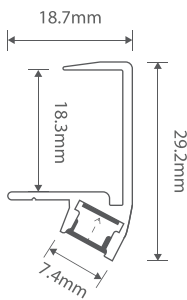
## Product Features

- Polycarbonate diffuser provides uniform light distribution
- Invisible groove edge
- Available in white, gold, black and silver color
- 0-1/10V dimming, dali dimming, tunable white (optional)
- Length : 1000mm / 2000mm (standard)
- IP rating : IP20 / IP40

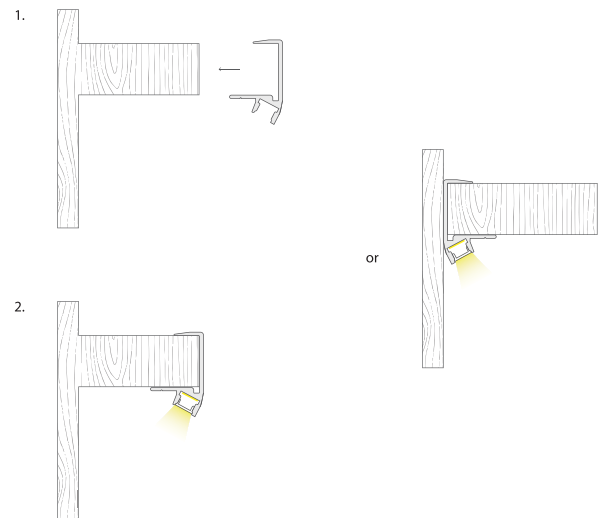
## Technical details

Model	Power	Luminous flux	Luminous efficacy
	4.8W/m	480 lm/w	
DSP1929	9.6W/m	960 lm/w	100 lm/W
	14.4W/m	1440 lm/w	

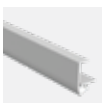
## Technical drawing



## Installation



## Accessories

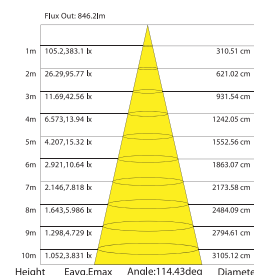


Profile

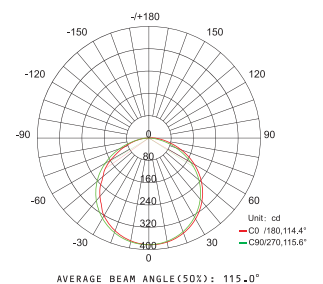
## Finish colors



## Diagrams



Light distribution curve



Photometric Diagram

# Special Applications DSP2250



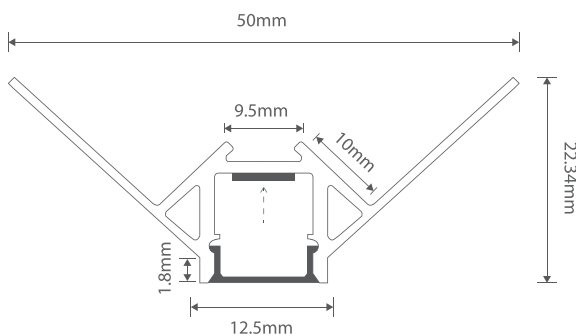
## Description

DSP2250 is a Special Application LED Extrusion Profile, designed for LED strips up to 8mm width. It is made from high-quality Aluminum. These Extrusions provide a prolong lifespan of the lighting system. The Profile has been designed to work as Dry wall mounted or Recessed mounted.

## Technical details

Model	Power	Luminous flux	Luminous efficacy
	4.8W/m	480 lm/m	
DSP2250	9.6W/m	960 lm/m	100 lm/W
	14.4W/m	1440 lm/m	

## Technical drawing



## Accessories



Profile



Endcaps

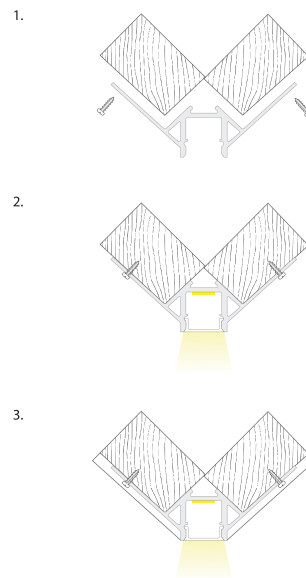
## Finish colors



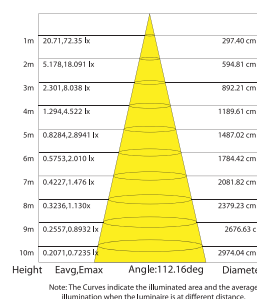
## Product Features

- Polycarbonate diffuser provides uniform light distribution
- Available in white, gold, black and silver color
- 0-1/10V dimming, dali dimming, tunable white (optional)
- Length : 1500mm / 3000mm (standard)
- IP rating : IP20 / IP40

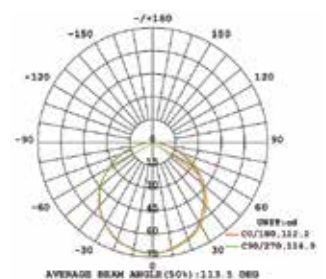
## Installation



## Diagrams



Light distribution curve



Photometric Diagram

# Special Applications DSP2446



## Description

DSP2246 is a Special Application LED Extrusion Profile, designed for LED strips up to 8mm width. It is made from high-quality Aluminum. These Extrusions provide a prolonged lifespan of the lighting system. The Profile has been designed to work as Dry wall mounted or Recessed mounted.

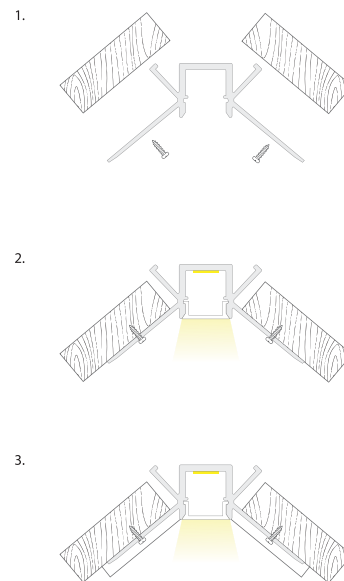
## Product Features

- Polycarbonate diffuser provides uniform light distribution
- Available in white, gold, black and silver color
- 0-1/10V dimming, dali dimming, tunable white (optional)
- Length : 1500mm / 3000mm (standard)
- IP rating : IP20 / IP40

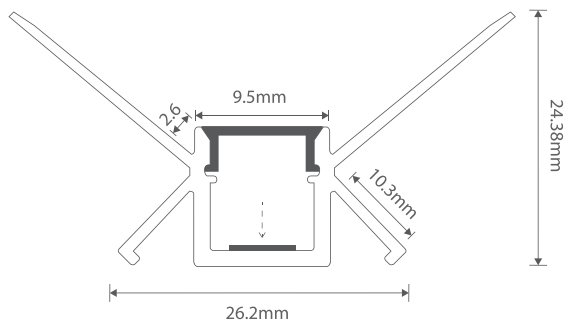
## Technical details

Reference	Power	Luminous flux	Luminous efficacy
	4.8W/m	480 lm/m	
DSP2446	9.6W/m	960 lm/m	100 lm/W
	14.4W/m	1440 lm/m	

## Installation



## Technical drawing



## Accessories



Profile

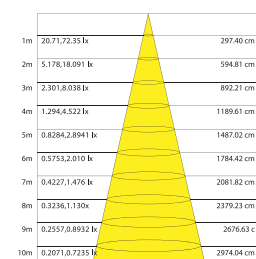


Endcaps

## Finish colors

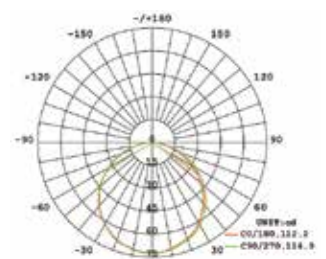


## Diagrams



Note: The Curves indicate the Illuminated area and the average Illumination when the luminaire is at different distance.

Light distribution curve



Photometric Diagram

# Special Application DSP2720



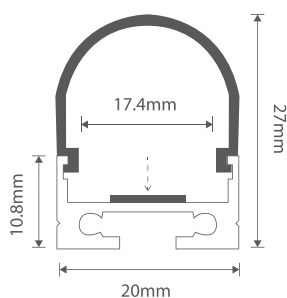
## Description

DSP2720 is a Special Application LED Extrusion Profile, designed for LED strips up to 14mm width. It is made from high-quality Aluminum. These Extrusions provide a prolonged lifespan of the lighting system. The Profile has been designed to work as Surface mounted or Suspended.

## Technical details

Model	Power	Luminous flux	Luminous efficacy
DSP0939	4.8W/m	480 lm/m	100 lm/W
	9.6W/m	960 lm/m	
	14.4W/m	1440 lm/m	
	21.6W/m	2592 lm/m	

## Technical drawing



## Accessories



Profile



Endcaps



Clips

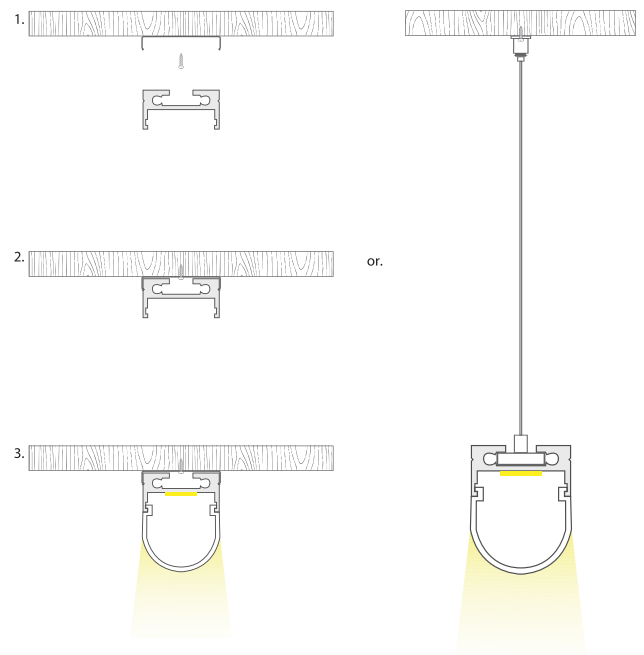
## Finish colors



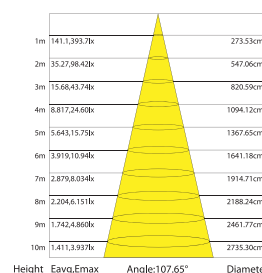
## Product Features

- Polycarbonate diffuser provides uniform light distribution
- Wide lighting angle
- Available in white, gold, black and silver color
- 0-1/10V dimming, dali dimming, tunable white (optional)
- Length : 1000mm / 2000mm (standard)
- IP rating : IP20 / IP40

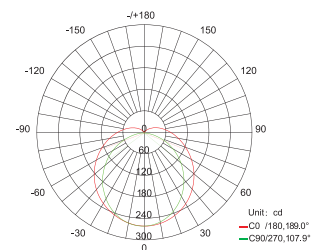
## Installation



## Diagrams

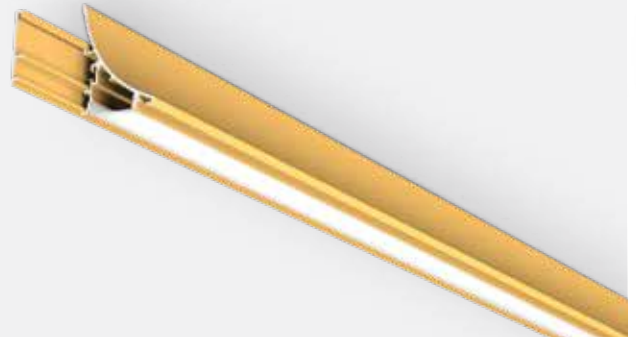


Light distribution curve



Photometric Diagram

# Special Application DSP3650



## Description

DSP3650 is a Special Application LED Extrusion Profile, designed for LED strips up to 14mm width. It is made from high-quality Aluminum. These Extrusions provide a prolonged lifespan of the lighting system. The Profile has been designed to work as Surface mounted.

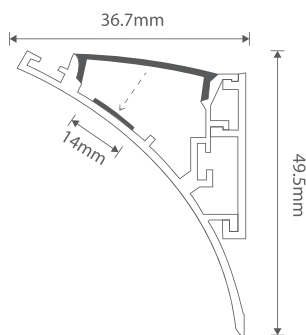
## Product Features

- Polycarbonate diffuser provides uniform light distribution
- Available in white, gold, black and silver color
- 0-1/10V dimming, dali dimming, tunable white (optional)
- Length : 1500mm / 3000mm (standard)
- IP rating : IP20 / IP40

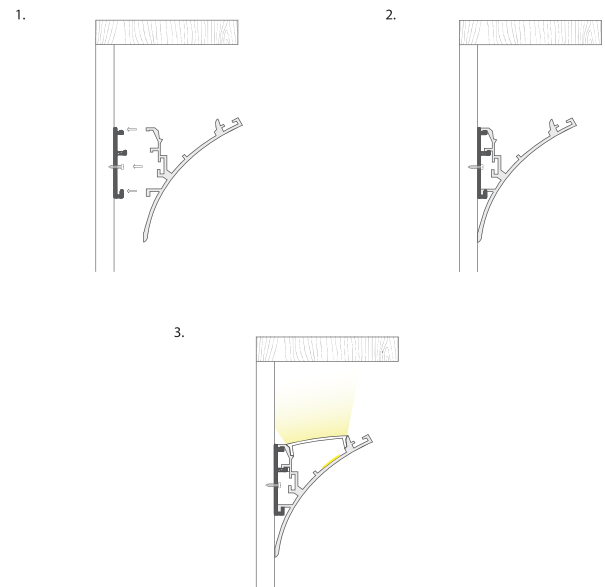
## Technical details

Model	Power	Luminous flux	Luminous efficacy
DSP3650	4.8W/m	480 lm/m	100 lm/W
	9.6W/m	960 lm/m	
	14.4W/m	1440 lm/m	120 lm/W
	21.6W/m	2592 lm/m	

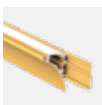
## Technical drawing



## Installation



## Accessories



Profile

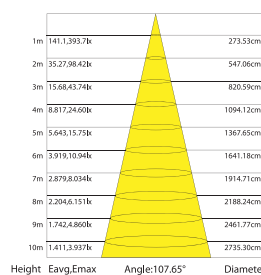


Endcaps

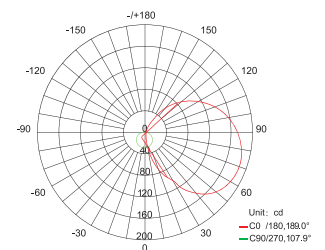
## Finish colors



## Diagrams



Light distribution curve

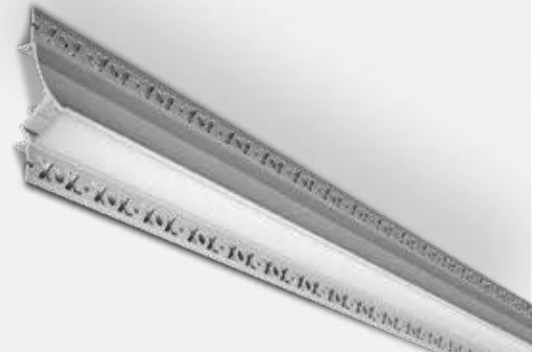


AVERAGE BEAM ANGLE (50%): 148.5°

Photometric Diagram



# Special Applications DSP3598



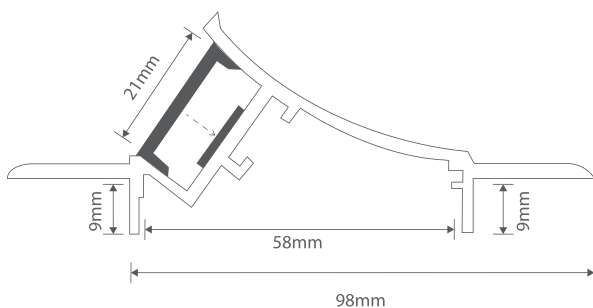
## Description

DSP3598 is a Special Application LED Extrusion Profile, designed for LED strips up to 14mm width. It is made from high-quality Aluminum. These Extrusions provide a prolonged lifespan of the lighting system. The Profile has been designed to work as Dry wall mounted or Recessed mounted.

## Technical details

Model	Power	Luminous flux	Luminous efficacy
DSP3598	4.8W/m	480 lm/m	100 lm/W
	9.6W/m	960 lm/m	
	14.4W/m	1440 lm/m	120 lm/W
	21.6W/m	2592 lm/m	

## Technical drawing



## Accessories



Profile



Endcaps

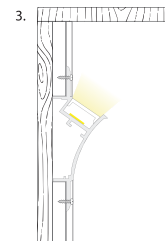
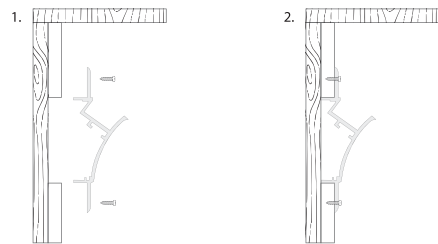
## Finish colors



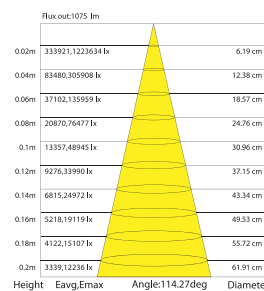
## Product Features

- Polycarbonate diffuser provides uniform light distribution
- Available in white, gold, black and silver color
- 0-1/10V dimming, dali dimming, tunable white (optional)
- Length : 1500mm / 3000mm (standard)
- IP rating : IP20 / IP40

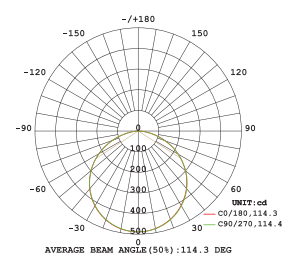
## Installation



## Diagrams



Light distribution curve



Photometric Diagram

# Special Applications DSP45106



## Description

DSP45106 is a Special Application LED Extrusion Profile, designed for LED strips up to 14mm width. It is made from high-quality Aluminum. These Extrusions provide a prolonged lifespan of the lighting system. The pProfile has been designed to work as Dry wall mounted or Recessed mounted.

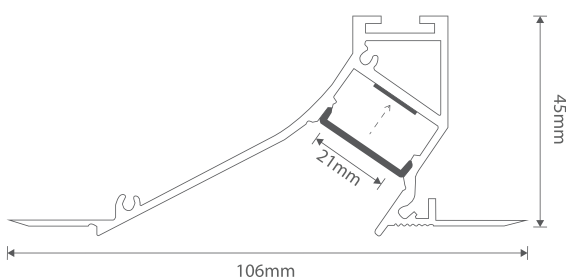
## Product Features

- Polycarbonate diffuser provides uniform light distribution
- Available in white, gold, black and silver color
- 0-1/10V dimming, dali dimming, tunable white (optional)
- Length : 1500mm / 3000mm (standard)
- IP rating : IP20 / IP40

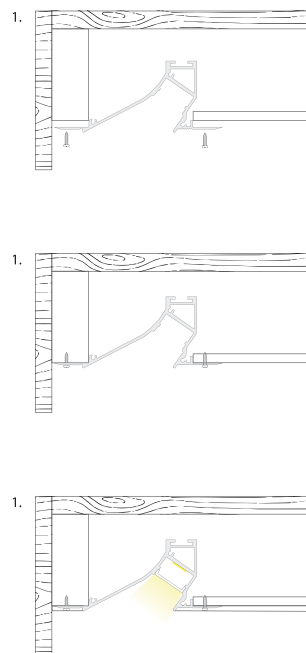
## Technical details

Model	Power	Luminous flux	Luminous efficacy
DSP45106	4.8W/m	480 lm/m	100 lm/W
	9.6W/m	960 lm/m	
	14.4W/m	1440 lm/m	120 lm/W
	21.6W/m	2592 lm/m	

## Technical drawing



## Installation



## Accessories

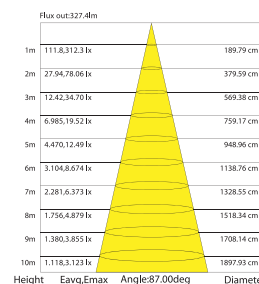


Profile

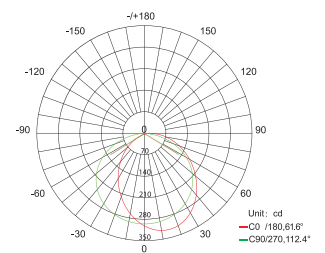
## Finish colors



## Diagrams



Light distribution curve



Photometric Diagram

# Special Application DSP68100



## Description

DSP68100 is a Special Application LED Extrusion Profile, designed for LED strips up to 14mm width. It is made from high-quality Aluminum. These Extrusions provide a prolonged lifespan of the lighting system. The Profile has been designed to work as Dry wall mounted or Recessed mounted.

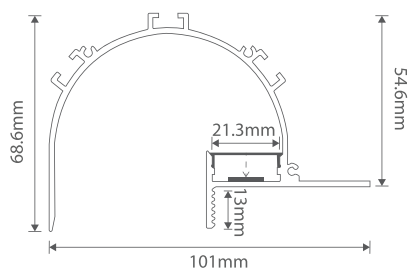
## Product Features

- Polycarbonate diffuser provides uniform light distribution
- Available in white, gold, black and silver color
- 0-1/10V dimming, dali dimming, tunable white (optional)
- Length : 1500mm / 3000mm (standard)
- IP rating : IP20 / IP40

## Technical details

Model	Power	Luminous flux	Luminous efficacy
DSP68100	4.8W/m	480 lm/m	100 lm/W
	9.6W/m	960 lm/m	
	14.4W/m	1440 lm/m	120 lm/W
	21.6W/m	2592 lm/m	

## Technical drawing



## Accessories



Profile



Endcaps

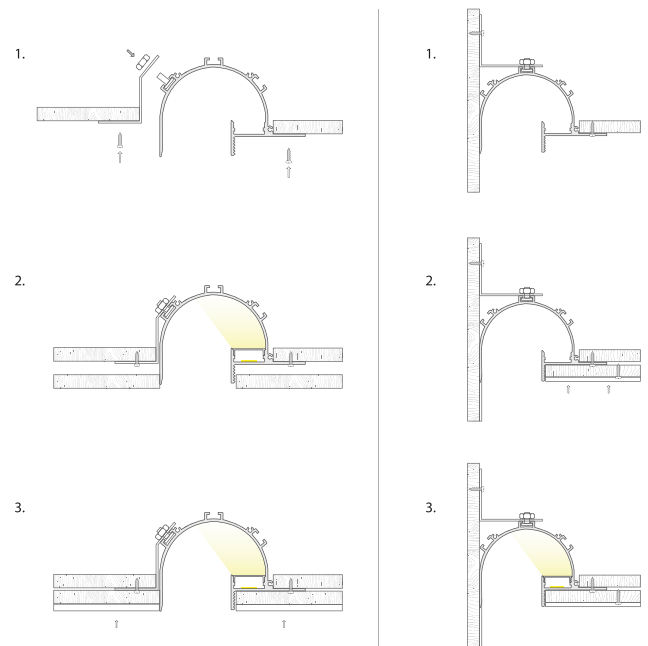


Clips

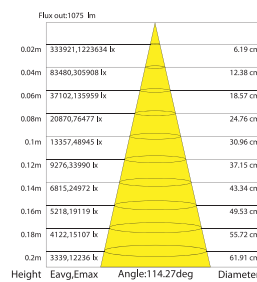
## Finish colors



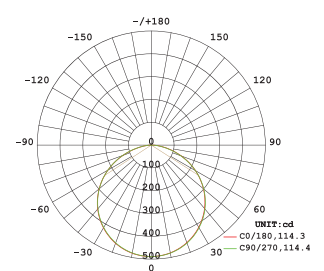
## Installation



## Diagrams

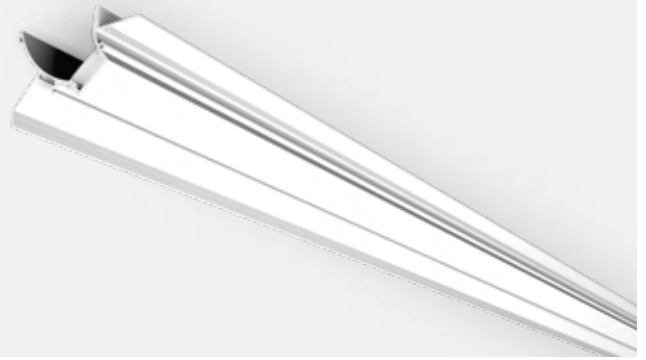


Light distribution curve



Photometric Diagram

# Special Application DSP5889



## Description

DSP5889 is a Special Application LED Extrusion Profile, designed for LED strips up to 22mm width. It is made from high-quality Aluminum. These Extrusions provide a prolonged lifespan of the lighting system. The Profile has been designed to work as Surface mounted.

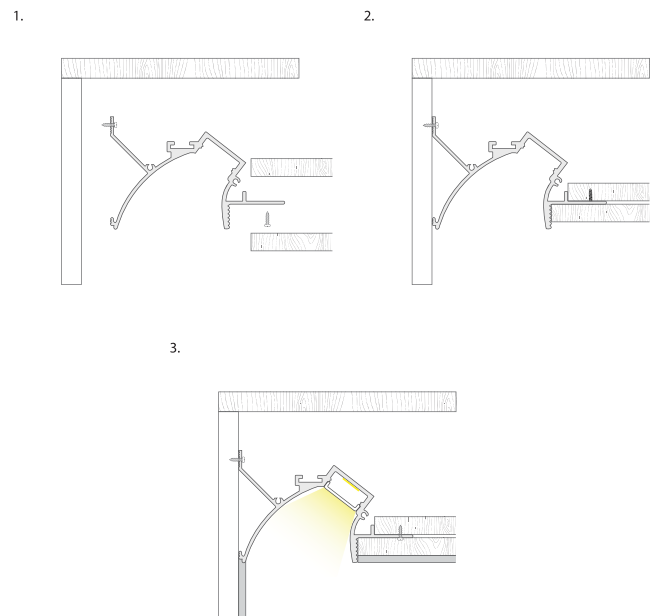
## Product Features

- Polycarbonate diffuser provides uniform light distribution
- Available in white, gold, black and silver color
- 0-1/10V dimming, dali dimming, tunable white (optional)
- Length : 1500mm / 3000mm (standard)
- IP rating : IP20 / IP40

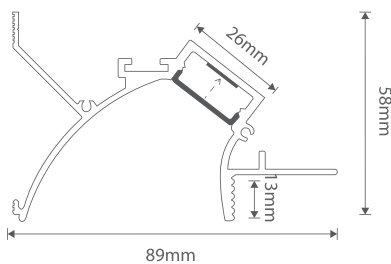
## Technical details

Model	Power	Luminous flux	Luminous efficacy
DSP5889	4.8W/m	480 lm/m	100 lm/W
	9.6W/m	960 lm/m	
	14.4W/m	1440 lm/m	120 lm/W
	21.6W/m	2592 lm/m	
	25.92W/m	3110 lm/m	

## Installation



## Technical drawing



## Accessories



Profile

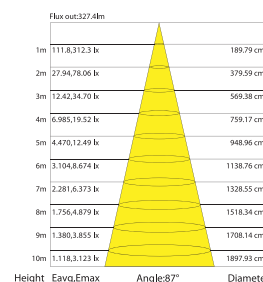


Endcaps

## Finish colors

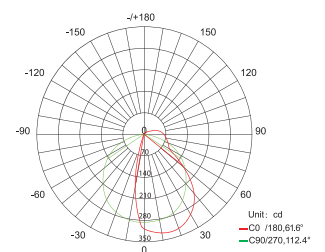


## Diagrams

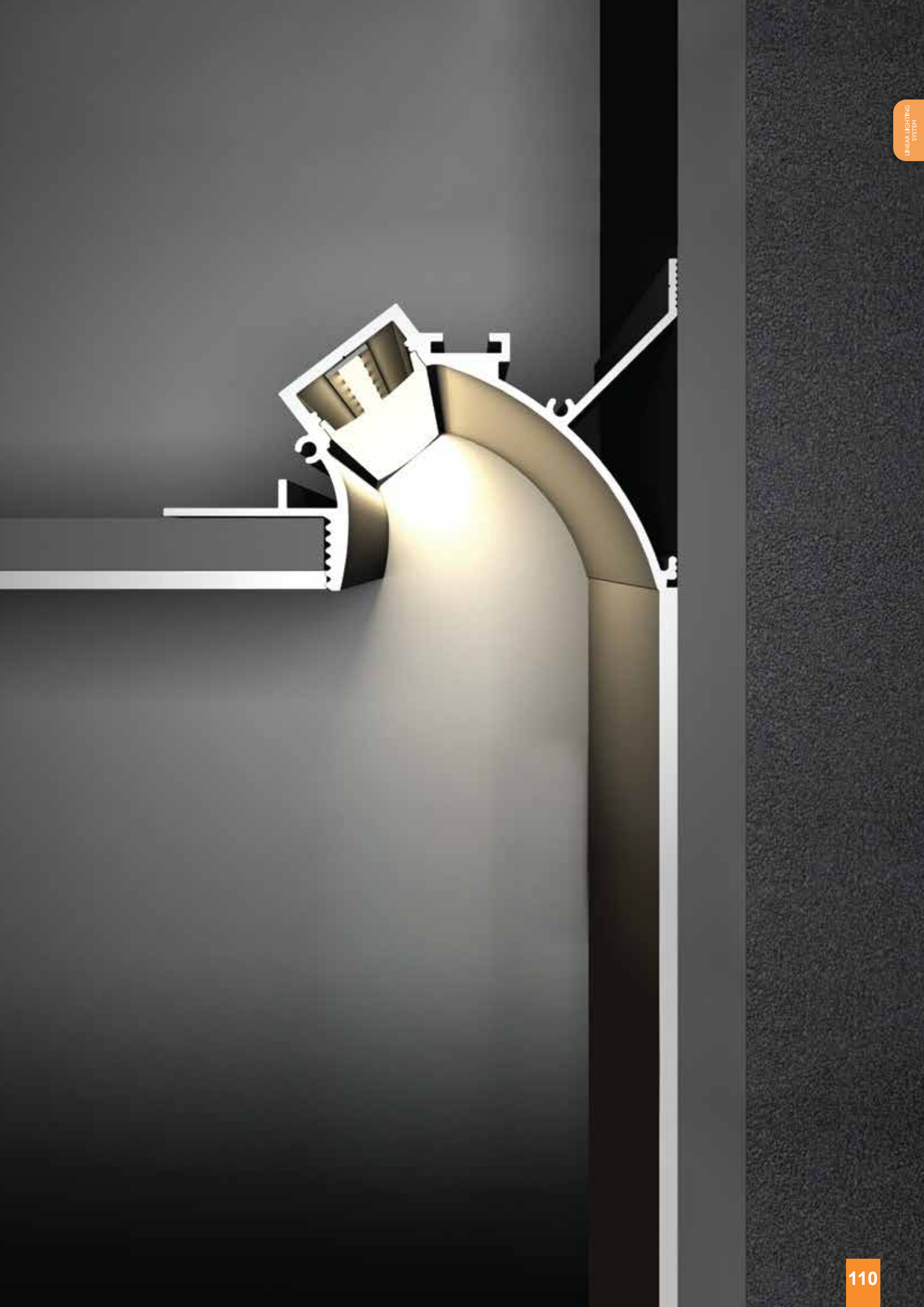


Note: The Curves indicate the illuminated area and the average illumination when the luminaire is at different distance.

Light distribution curve



Photometric Diagram





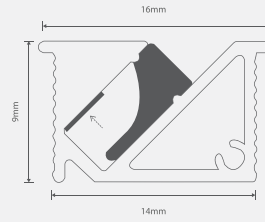
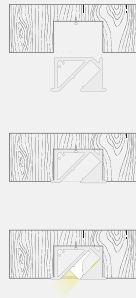
## DSP0916

**Recessed mounted**

Power : 4.8-14.4W/m

Luminous flux : 480-1440 lm/m

Luminous efficacy : 100 lm/W



Technical Details

Installation

Dimensions

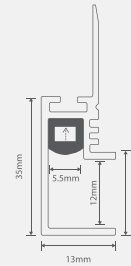
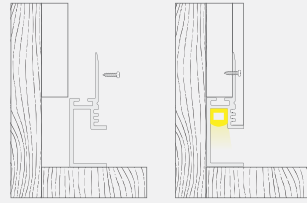
## DSP1340

**Recessed mounted**

Power : 4.8-14.4W/m

Luminous flux : 480-1440 lm/m

Luminous efficacy : 100 lm/W



Technical Details

Installation

Dimensions

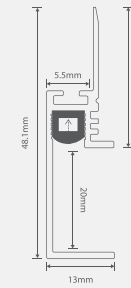
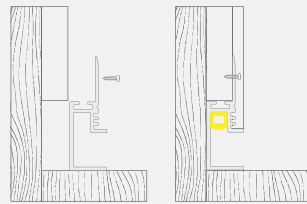
## DSP1348

**Recessed mounted**

Power : 4.8-14.4W/m

Luminous flux : 480-1440 lm/m

Luminous efficacy : 100 lm/W



Technical Details

Installation

Dimensions

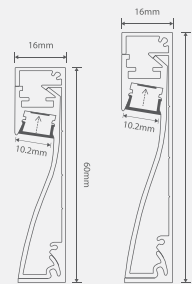
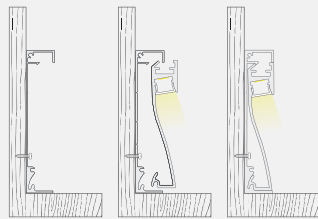
## DSP1660

**Recessed mounted**

Power : 4.8-14.4W/m

Luminous flux : 480-1440 lm/m

Luminous efficacy : 100 lm/W



Technical Details

Installation

Dimensions

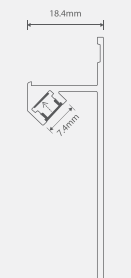
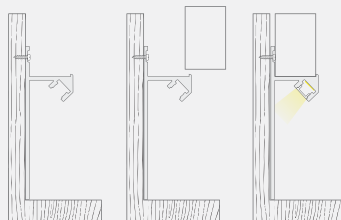
## DSP1868

**Recessed mounted**

Power : 4.8-14.4W/m

Luminous flux : 480-1440 lm/m

Luminous efficacy : 100 lm/W



Technical Details

Installation

Dimensions

## DSP1127

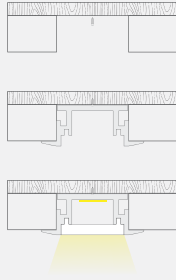
Recessed mounted

Power : 4.8-14.4W/m

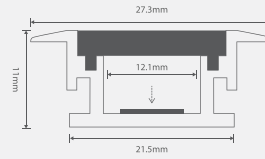
Luminous flux : 480-1440 lm/m

Luminous efficacy : 100 lm/W

Technical Details



Installation



Dimensions



## DSP2621

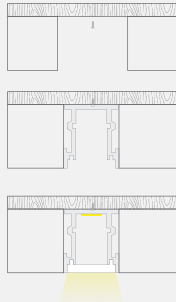
Recessed mounted

Power : 4.8-14.4W/m

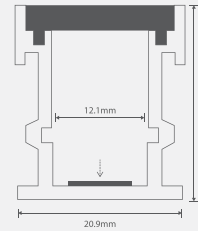
Luminous flux : 480-1440 lm/m

Luminous efficacy : 100 lm/W

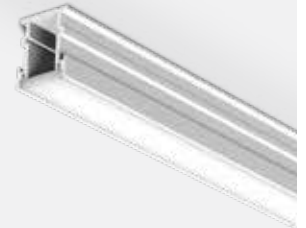
Technical Details



Installation



Dimensions



## DSP19120

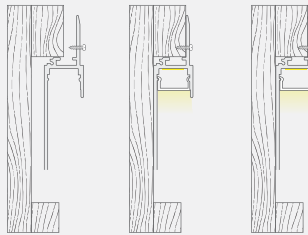
Recessed mounted

Power : 4.8-14.4W/m

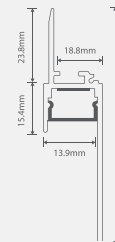
Luminous flux : 480-1440 lm/m

Luminous efficacy : 100 lm/W

Technical Details



Installation



Dimensions



## DSP1997

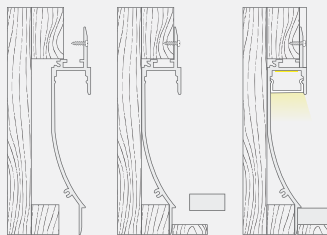
Recessed mounted

Power : 4.8-14.4W/m

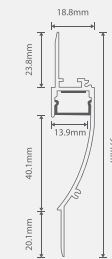
Luminous flux : 480-1440 lm/m

Luminous efficacy : 100 lm/W

Technical Details



Installation



Dimensions



## DSP19134

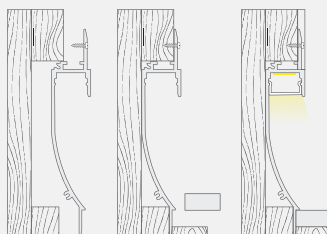
Recessed mounted

Power : 4.8-14.4W/m

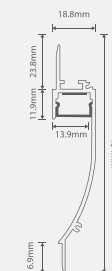
Luminous flux : 480-1440 lm/m

Luminous efficacy : 100 lm/W

Technical Details



Installation



Dimensions



## DSP2649

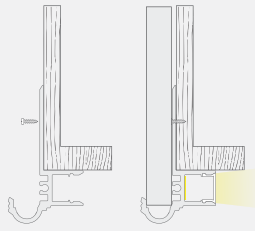
**Recessed mounted**

Power : 4.8-14.4W/m

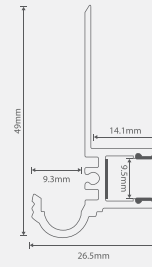
Luminous flux : 480-1440 lm/m

Luminous efficacy : 100 lm/W

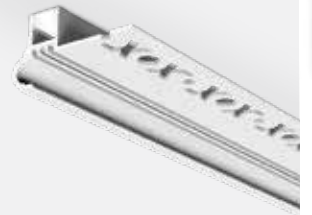
Technical Details



Installation



Dimensions



## DSP2766

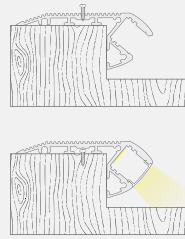
**Recessed mounted**

Power : 4.8-14.4W/m

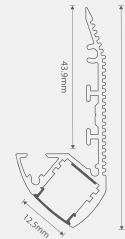
Luminous flux : 480-1440 lm/m

Luminous efficacy : 100 lm/W

Technical Details



Installation



Dimensions



## DSP3572

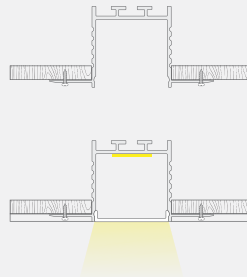
**Recessed mounted**

Power : 21.6-38.88W/m

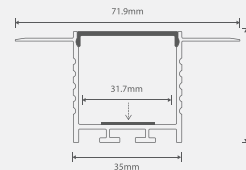
Luminous flux : 2592-4668 lm/m

Luminous efficacy : 100 lm/W

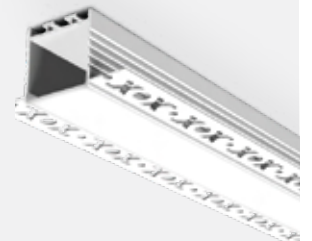
Technical Details



Installation



Dimensions



## DSP1317

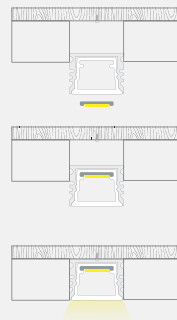
**Recessed mounted**

Power : 4.8-14.4W/m

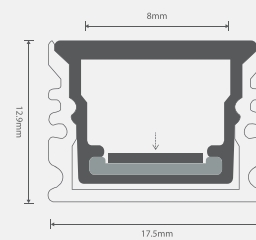
Luminous flux : 480-1440 lm/m

Luminous efficacy : 100 lm/W

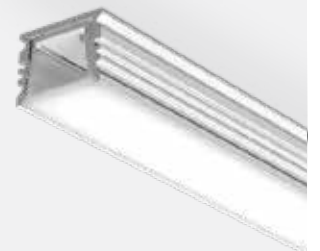
Technical Details



Installation



Dimensions



## DSP1325

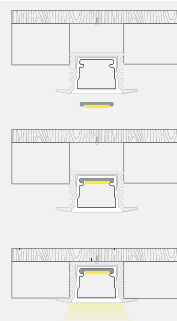
**Recessed mounted**

Power : 4.8-14.4W/m

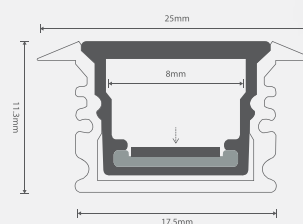
Luminous flux : 480-1440 lm/m

Luminous efficacy : 100 lm/W

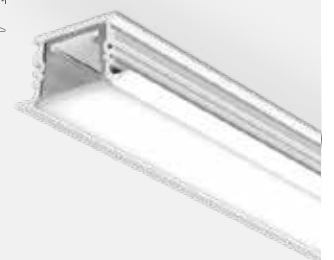
Technical Details



Installation



Dimensions



## DSP4425

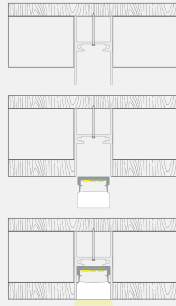
Recessed mounted

Power : 4.8-25.92W/m

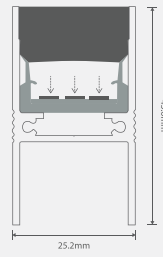
Luminous flux : 480-3110 lm/m

Luminous efficacy : 100-120 lm/W

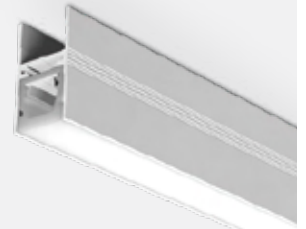
Technical Details



Installation



Dimensions



## DSP5230

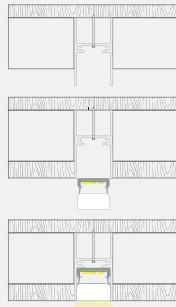
Recessed mounted

Power : 4.8-25.92W/m

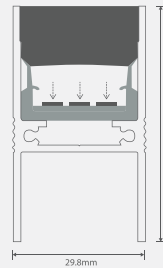
Luminous flux : 480-3110 lm/m

Luminous efficacy : 100-120 lm/W

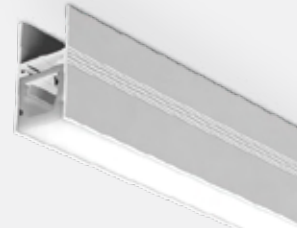
Technical Details



Installation



Dimensions



## DSP5250

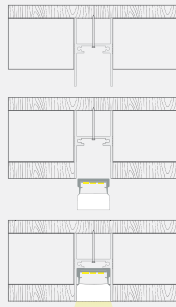
Recessed mounted

Power : 21.6-38.88W/m

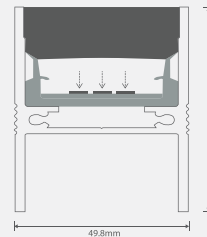
Luminous flux : 2592-4665 lm/m

Luminous efficacy : 120 lm/W

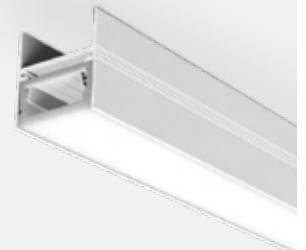
Technical Details



Installation



Dimensions







## DuLight LED Strips

### Product Code

# DU-F-2835D-120-24-9.6-8

**DU**  
DuLight constant  
voltage strip

**2835D**  
LED Type

**24**  
Voltage

**8**  
Width of  
LED Strip  
(mm)

**F**: IP20  
**FW**: IP65  
**FWT**: IP67

**120**  
LED Qty/m

**9.6**  
Wattage/m

### IP Rating:

IP20

IP65

IP67

### CCT:

2300  
K

2800  
K

3000  
K

4000  
K

6500  
K

2700  
to 6500  
K

RED

GREEN

BLUE

RGB

RGBW

RGBWW

### Voltage:

24  
VDC

### CRI:

Ra  
>80

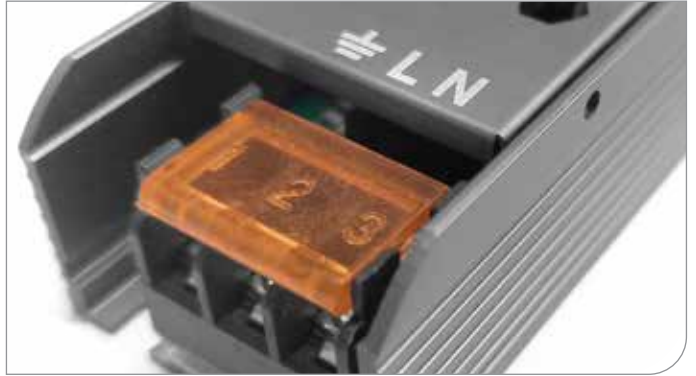
Ra  
>90



An LED strip is a flexible circuit board that is embedded with multiple light-emitting diodes (LEDs). LED strips can be cut to specific lengths and are commonly used for various lighting applications, Such as; Accent Lighting, Backlighting, Task Lighting and more. They are typically powered by low-voltage DC power and can be controlled by a variety of Methods including; Direct Voltage Control, PWM dimming or through the use of an LED controller. LED strips come in a range of color temperatures and brightness levels, and are often sold in rolls or as pre-cut lengths with adhesive backing for easy installation.



## Power Supply



## Technical Specifications

Model	Voltage Input	Voltage Output	Current Output	Power	IP Rating	Size
DUDR-ND-36	175-240V <sub>AC</sub> 50/60Hz	24 VDC	1050mA	36W	IP20	125 x 25 x 23mm
DUDR-ND-60			2500mA	60W		175 x 35 x 23mm
DUDR-ND-100			4100mA	100W		143 x 48 x 29mm
DUDR-ND-150			6250mA	150W		195 x 48 x 29mm
DUDR-ND-200			8300mA	200W		215 x 63 x 29mm
DUDR-ND-250			10400mA	250W		215 x 63 x 29mm
DUDR-ND-300			12500mA	300W		245 x 63 x 29mm



## Standard Series



### Product Features

- High brightness and luminous efficiency
- Good attenuation function, long service life of the chip
- FPC flexible board is used, which can be bent appropriately
- Excellent weather and UV resistance
- 0-1/10V dimming, DALI dimming, smart (optional)

### Lumen Output / Meter (lm/m)



	2800 to 3200 K	4000 to 4500 K	5000 to 5500 K	6500 to 7000 K	9000 to 12000 K
DU-F-2835D-60-24-4.8-8mm	417	427	441	451	360
DU-F-2835D-120-24-9.6-8mm	864	883	912	931	749
DU-F-2835D-120-24-14.4-8mm	1296	1325	1368	1397	1123
DU-FW-2835D-60-24-4.8-8mm	417	427	441	451	360
DU-FW-2835D-120-24-9.6-8mm	864	883	912	931	749
DU-FW-2835D-120-24-14.4-8mm	1296	1325	1368	1397	1123
DU-FWT-2835D-60-24-4.8-10mm	417	427	441	451	360
DU-FWT-2835D-120-24-9.6-10mm	864	883	912	931	749
DU-FWT-2835D-120-24-14.4-10mm	1296	1325	1368	1397	1123

## Technical Specifications

Model	CRI	Voltage input	Power /meter	IP rating	Size	LEDs /meter	Cutting unit
DU-F-2835D-60-24-4.8-8mm	>80	24 VDC	4.8 W/m	IP20	5000 x 8mm	60 pcs/m	100mm
DU-F-2835D-120-24-9.6-8mm			9.6 W/m		5000 x 8mm	120 pcs/m	50mm
DU-F-2835D-120-24-14.4-8mm			14.4 W/m		5000 x 8mm	120 pcs/m	50mm
DU-FW-2835D-60-24-4.8-8mm			4.8 W/m	IP65	5000 x 8mm	60 pcs/m	100mm
DU-FW-2835D-120-24-9.6-8mm			9.6 W/m		5000 x 8mm	120 pcs/m	50mm
DU-FW-2835D-120-24-14.4-8mm			14.4 W/m		5000 x 8mm	120 pcs/m	50mm
DU-FWT-2835D-60-24-4.8-10mm			4.8 W/m	IP67	5000 x 10mm	60 pcs/m	100mm
DU-FWT-2835D-120-24-9.6-10mm			9.6 W/m		5000 x 10mm	120 pcs/m	50mm
DU-FWT-2835D-120-24-14.4-10mm			14.4 W/m		5000 x 10mm	120 pcs/m	50mm





## Pro Series

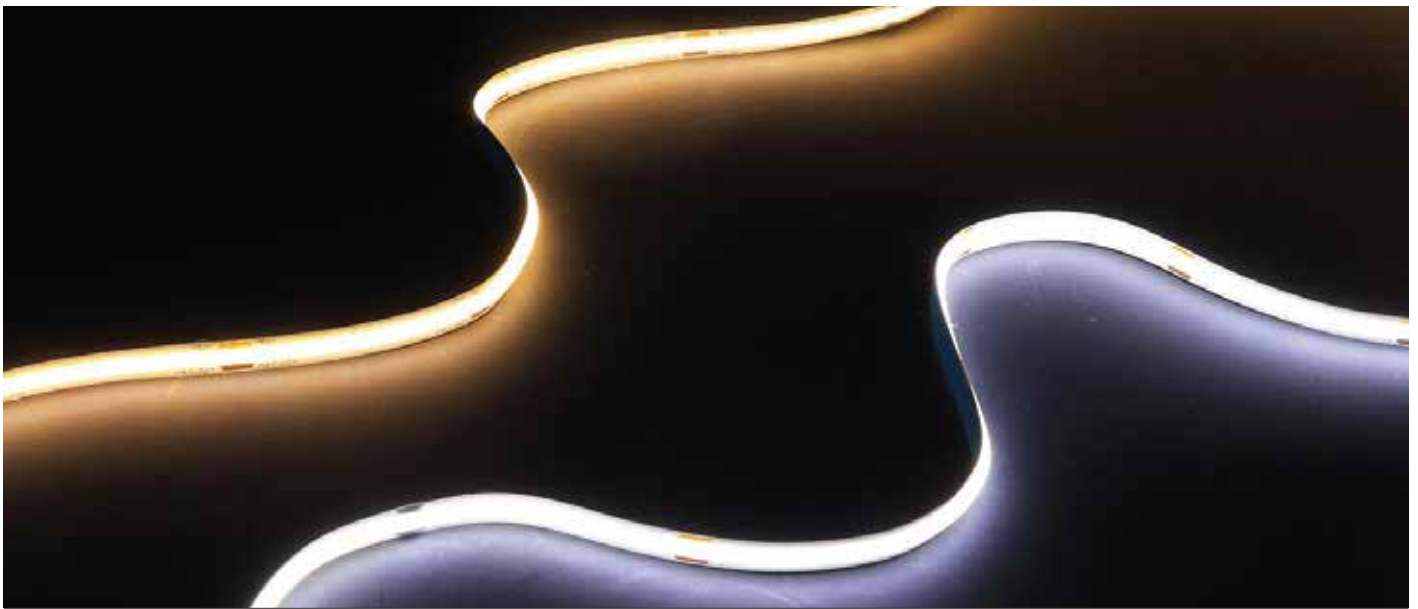
### Lumen Output / Meter (lm/m)



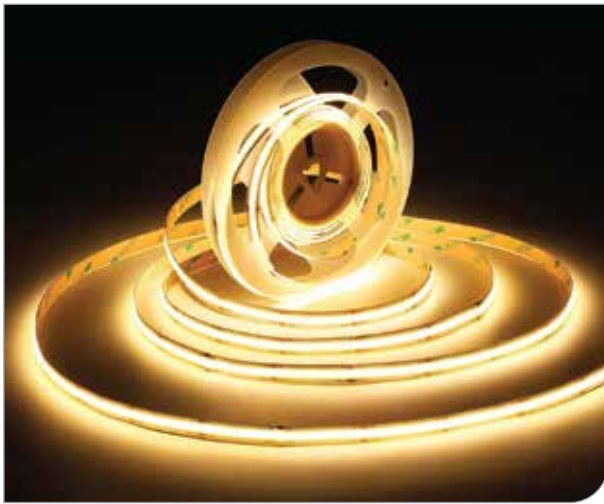
Model	2200 to 2400 K	2400 to 2600 K	2600 to 2850 K	2800 to 3200 K	3300 to 3700 K	3900 to 4300 K	4800 to 5300 K	6200 to 7200 K	8000 to 12000 K
DU-F-H2835-80-24-9.60-10mm	1152	1248	1315	1354	1421	1421	1421	1392	1277
DU-F-H2835-160-24-14.4-10mm	1728	1901	2002	2045	2146	2146	2174	2102	1958
DU-F-H2835-240-24-21.6-14mm	2419	2657	2851	2894	3046	3110	3089	3024	2830
DU-F-H2835-288-24-25.92-22mm	2903	3188	3421	3473	3655	3732	3707	3629	3396
DU-F-H2835-416-24-37.44-50mm	4193	4605	4942	5017	5279	5391	5354	5242	4905
DU-F-H2835-432-24-38.88-28mm	4666	4977	5210	5560	5871	5832	5871	5676	5288

### Technical Specifications

Model	CRI	Voltage input	Power /meter	IP rating	Size	LED's /meter	Cutting unit
DU-F-H2835-80-24-9.60-10mm	>80	24 VDC	9.6 W/m	IP20	5000 x 10mm	80 pcs/m	100mm
DU-F-H2835-160-24-14.4-10mm			14.4 W/m		5000 x 10mm	160 pcs/m	50mm
DU-F-H2835-240-24-21.6-14mm			21.6 W/m		5000 x 14mm	240 pcs/m	33.3mm
DU-F-H2835-288-24-25.92-22mm			25.92 W/m		5000 x 22mm	288 pcs/m	83.33mm
DU-F-H2835-416-24-37.44-50mm			37.44 W/m		5000 x 50mm	416 pcs/m	38.46mm
DU-F-H2835-432-24-38.88-28mm			38.88 W/m		5000 x 28mm	432 pcs/m	18.5mm



## Soft Series



### Product Features

- Long run Series and no welding spot
- Dot free, no shadows, high temperature resistance
- Lighter and thinner, small in size
- IP rating: IP20/IP65
- Stable internal structure and long service life
- Seamless linear lighting with good flexibility
- 0-1/10V dimming, DALI dimming, smart (optional)

### Lumen Output / Meter (lm/m)

2700  
K

3000  
K

4000  
K

5000  
K

6500  
K

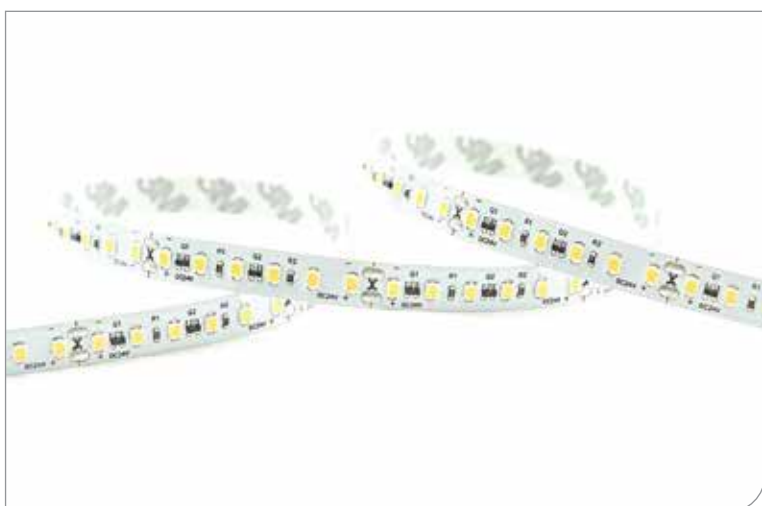
	2700 K	3000 K	4000 K	5000 K	6500 K
DU-FC-280-24-10-8mm	766	775	824	824	816
DU-FC-320-24-10-8mm	777	786	836	836	828
DU-FC-480-24-10-8mm	826	835	888	888	879

### Technical Specifications

Model	CRI	Voltage input	Power /meter	IP rating	Size	LEDs /meter	Cutting unit
DU-FC-280-24-10-8mm	>80	24 VDC	10 W/m	IP20	5000 x 8mm	280 pcs/m	50mm
DU-FC-320-24-10-8mm					10000 x 8mm	320 pcs/m	
DU-FC-480-24-10-8mm					10000 x 8mm	480 pcs/m	



## Long Run Series



### Product Features

- High brightness and high efficacy
- Cuttable to satisfy different application requirements
- Long service life with excellent lumen maintenance
- Bendable with high efficacy LED
- Excellent of UV resistance
- 0-1/10V dimming, DALI dimming, smart (optional)

### Lumen Output / Meter (lm/m)

	2800 to 3200 K	4000 to 4500 K	5000 to 5500 K	6500 to 7000 K	8000 to 9500 K
DU-L-2835A-120-24-6-10mm	516	525	528	528	546
DU-L-2835A-120-24-10.08-10mm	847	862	877	877	897

### Technical Specifications

Model	CRI	Voltage input	Power /meter	IP rating	Size	LEDs /meter	Cutting unit
DU-L-2835A-120-24-6-10mm	>80	24 VDC	6 W/m	IP20	21000 x 10mm	120 pcs/m	50mm
DU-L-2835A-120-24-10.08-10mm			10.08 W/m	IP67	16000 x 10mm		



## Mini Series



### Product Features

- Wide color temperature range, one bin only for one CCT
- Cuttable every 7LEDs for 24V
- The 3mm narrow PCB specially for the slim panel solutions
- 0-1/10V dimming, DALI dimming, smart (optional)






### Applications

**A** 3D Luminous Letters

 Decorative Lighting

 Sign Boards

### Lumen Output / Meter (lm/m)

					
DU-M-2016A-182-24-9.36-3mm	720	776	810	833	833
DU-M-2016A-182-24-9.36-5mm	720	776	810	833	833

### Technical Specifications

Model	CRI	Voltage input	Power /meter	IP rating	Size	LEDs /meter	Cutting unit
DU-M-2016A-182-24-9.36-3mm	>80	24 VDC	9.36 W/m	IP20	5000 x5mm	182 pcs/m	38.46mm
DU-M-2016A-182-24-9.36-5mm				IP65 IP67			





## Tunable Series



### Product Features

- High brightness and lumen efficiency
- Great linear effect
- Flexible and cuttable, can be mounted on cove surface
- Long service life with excellent lumen maintenance
- Cuttable to satisfy different application requirements
- 0-1/10V dimming, DALI dimming, smart (optional)

### Applications



Shopping Malls



Hotels



Entertainment Decorations

## DU-T-2110-280-24-14.4-8mm



Lumen Output/Meter	470 lm/m	670 lm/m
Power/Meter	7.2W/m	7.2W/m
Color Rendering Index	>80	
Voltage Input:	24Vdc	
IP rating:	IP20/IP65/IP67	
Size:	5000x8mm	
LEDs/Meter	280pcs/m	
Cutting Unit:	50mm	

## DU-T-4040A-120-24-RGB



Lumen Output/Meter	211 lm/m	384 lm/m	87 lm/m	614 lm/m
Power/Meter	6.4W/m	6.4W/m	6.4W/m	19.2W/m
Color Rendering Index	>80			
Voltage Input:	24Vdc			
IP rating:	IP20/IP65/IP67			
Size:	5000x8mm			
LEDs/Meter	120pcs/m			
Cutting Unit:	50mm			

## DU-S5050-72-24-RGBWW



Lumen Output/Meter	240 lm/m	291 lm/m	102 lm/m	218 lm/m	49 lm/m
Power/Meter	3W/m	3.6W/m	1.2W/m	2.7W/m	0.6W/m
Color Rendering Index	>80				
Voltage Input:	24Vdc				
IP rating:	IP20				
Size:	5000x14mm				
LEDs/Meter	72pcs/m				
Cutting Unit:	83mm				

DU-S5050-60-24-RGBWW



Lumen Output/Meter	193 lm/m	231 lm/m	82 lm/m	175 lm/m	39 lm/m
Power/Meter	2.4W/m	2.88W/m	1.02W/m	2.18W/m	0.48W/m
Color Rendering Index	>80				
Voltage Input:	24Vdc				
IP rating:	IP20				
Size:	5000x12mm				
LEDs/Meter	60pcs/m				
Cutting Unit:	100mm				





## Pixel Series



### Product Features

- Adopt FPC material, good stability and reliability performance
- Flexible and cuttable, stable quality, reliable use
- Can achieve rich light changes with external controller
- Cut or connected according to the required length
- Long lifespan with great lumen maintenance
- 0-1/10V dimming, DALI dimming, smart (optional)

### Applications



Landscapes Lighting



Cove and Decorative Lighting

### DU-L-5050B-60-24-RGB



	RED	GREEN	BLUE	WHITE	RGBW
Lumen Output/Meter	105 lm/m	238 lm/m	58 lm/m	403 lm/m	885 lm/m
Power/Meter	6.72W/m	6.72W/m	6.72W/m	6.72W/m	19.68W/m
Color Rendering Index	>80				
Voltage Input:	24Vdc				
IP rating:	IP20/IP65/IP67				
Size:	5000x12mm				
LEDs/Meter	60pcs/m				
Cutting Unit:	100mm				



## FLEXIBLE LINEAR PROFILE

### Description

Flexible Linear Profile is a type of protective strip, fabricated with Silicon molding with high ingress protection. Due to its rigidity and high flexibility; it is applicable in a wide variety of places like; indoor and outdoor areas, corridors, roof corners and edges, restrooms, pool corners and many other areas where decorative lighting is required.

### Product Features

- Silicon material features; good resistance against water, acid and alkali, corrosive gasses and UV resistant
- Excellent heat dissipation, due to the advanced design of flexible strip and silicon co-extrusion technology
- Has a wide range of working temperatures between -20 to 55°C
- Uses co-extrusion technology to make the cutting line clear and easy to be cut
- Constant current design, with small voltage drop rate and even illumination

### Applications



Residential areas



Facade lighting

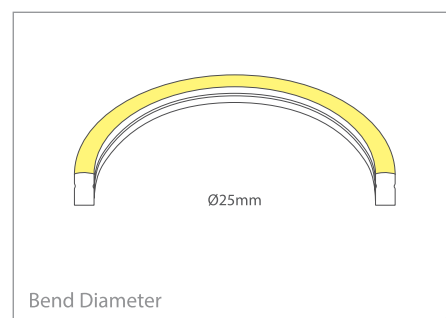
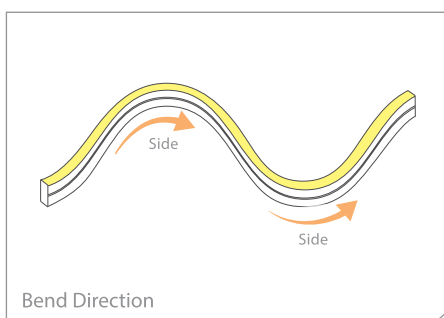
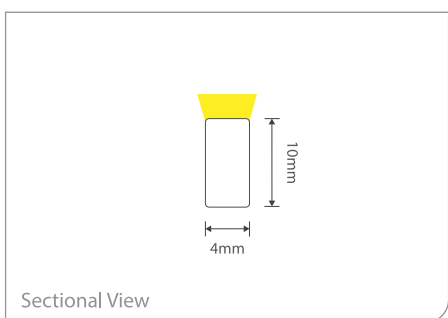


Shopping malls

**DPF0410**  
(side bend)



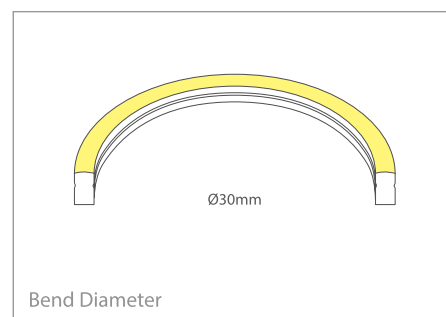
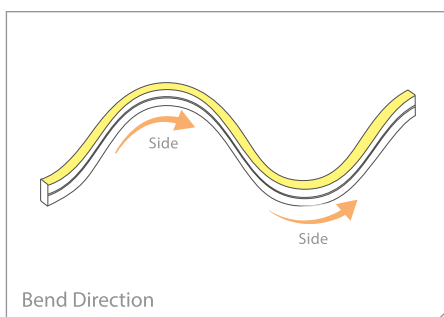
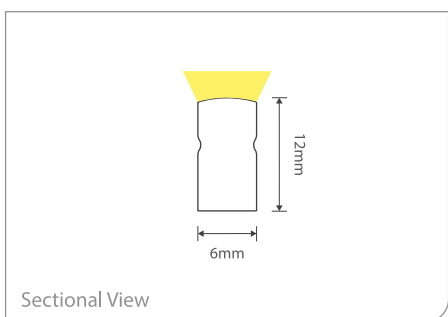
Input Voltage	24VDC
Min Cut (mm)	50
Max Power/Meter (W/m)	9.6
Lumens/Meter (lm/m)	332/79(RED) / 312(GREEN) / 43(BLUE)
CCT/Color	
CRI	>80
Min Bending Radius (mm)	25
IP Rating	IP67
Dimensions (mm)	5000x4x10mm



**DPF0612**  
(side bend)




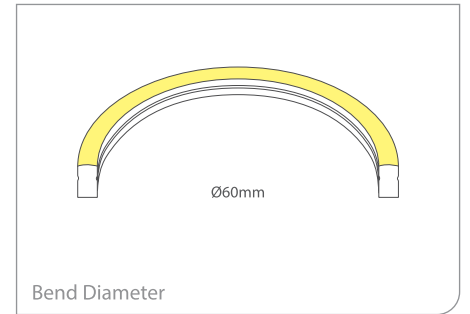
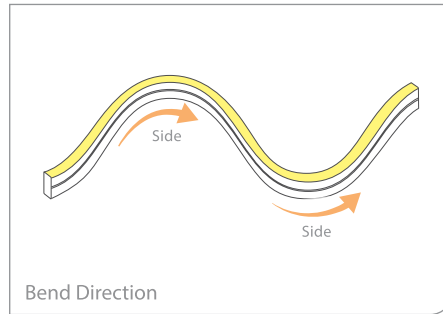
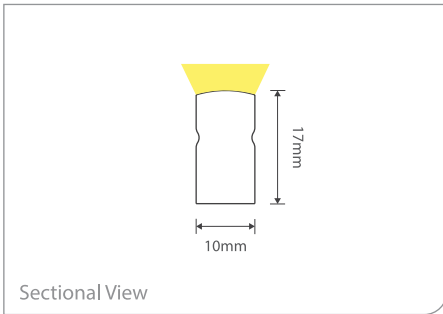
Input Voltage	24VDC
Min Cut (mm)	25 / 50(WN)
Max Power/Meter (W/m)	12 / 14.4
Lumens/Meter (lm/m)	234/459(WN)
CCT/Color	
CRI	>80
Min Bending Radius (mm)	30
IP Rating	IP67
Dimensions (mm)	5000x6x12



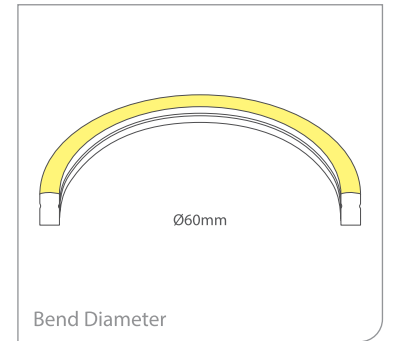
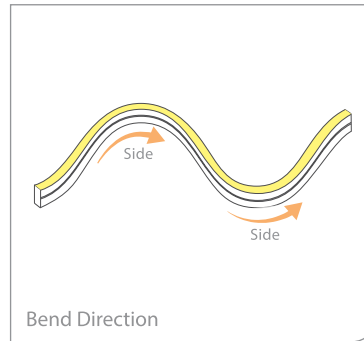
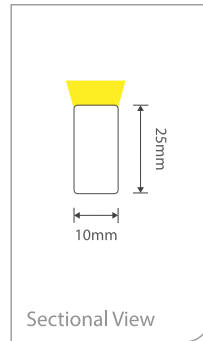
**DPF1017**  
(side bend)




Input Voltage	24VDC
Min Cut (mm)	62.5/50(WN) / 55.6(RGB) / 71.42(RGBW)
Max Power/Meter (W/m)	11.5/14.4(WN) / 17.2(RGB) / 20.16(RGBW)
Lumens/Meter (lm/m)	500/528(WN) / 112(RGB) / 394(RGBW)
CCT/Color	
CRI	>80
Min Bending Radius (mm)	60
IP Rating	IP67
Dimensions (mm)	15000x10x17mm



**DPF1025**  
(side bend)

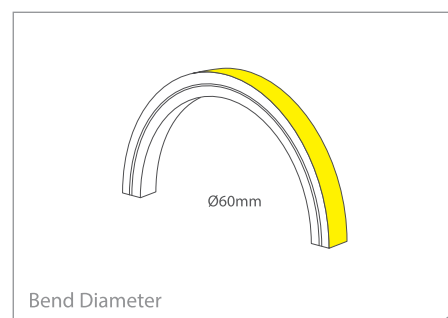
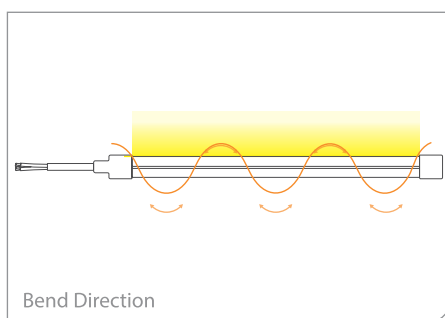
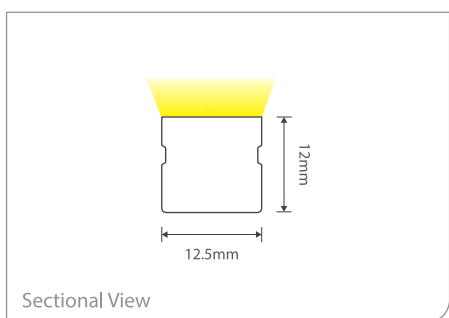


Input Voltage	24VDC
Min Cut (mm)	50(WN) / 83.3(RGB) / 83.3(RGBW) / 100(RGB PIXEL) / 100(RGBW PIXEL)
Max Power/Meter (W/m)	14.4(WN) / 17.2(RGB) / 17.2(RGBW) / 12.9(RGB PIXEL) / 19.2(RGBW PIXEL)
Lumens/Meter (lm/m)	565(WN) / 202(RGB) / 173(RGBW) / 77(RGB PIXEL) / 131(RGBW PIXEL)
CCT/Color	
CRI	>80
Min Bending Radius (mm)	60
IP Rating	IP67
Dimensions (mm)	5000x10x25 / 10000x10x25

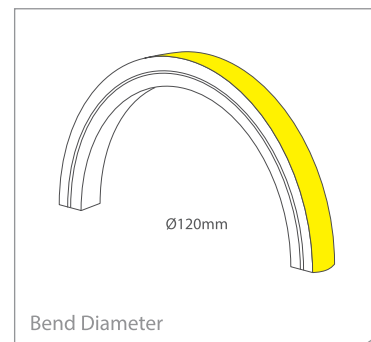
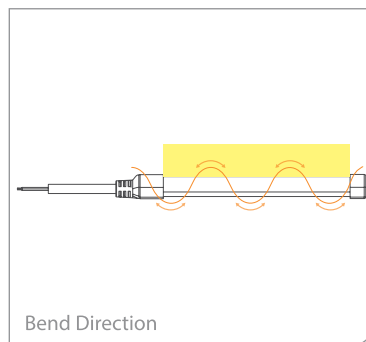
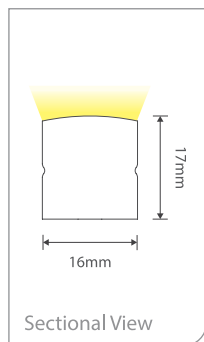
**DPF1212**  
(top bend)



Input Voltage	24VDC
Min Cut (mm)	41.66/50(WN) / 50(RGB)
Max Power/Meter (W/m)	11.5/14.4(WN) / 14.4(RGB)
Lumens/Meter (lm/m)	744/912(WN) / 356(RGB)
CCT/Color	
CRI	>80
Min Bending Radius (mm)	60
IP Rating	IP67
Dimensions (mm)	5000x12x12/10000x12x12/15000x12x12



**DPF1617**  
(top bend)



Input Voltage	24VDC
Min Cut (mm)	62.5/50(WN) / 62.5(RGB) / 83.33(RGBW) / 100(RGB PIXEL) / 100(RGBW PIXEL)
Max Power/Meter (W/m)	17.2/14.4(WN) / 17.2(RGB) / 17.2(RGBW) / 12.9(RGB PIXEL) / 19.6(RGBW PIXEL)
Lumens/Meter (lm/m)	1150/941(WN) / 317(RGB) / 476(RGBW) / 178(RGB PIXEL) / 390(RGBW PIXEL)
CCT/Color	
CRI	>80
Min Bending Radius (mm)	120
IP Rating	IP67
Dimensions (mm)	5000x16x17 / 10000x16x17

## Outstanding Weather Resistance

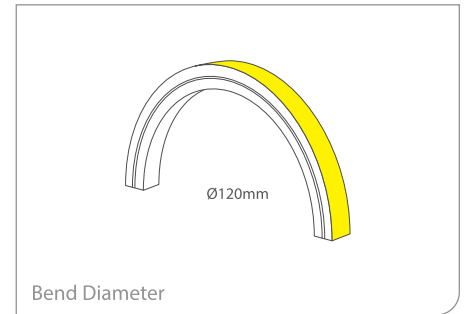
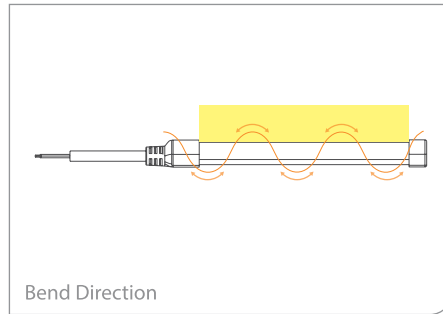
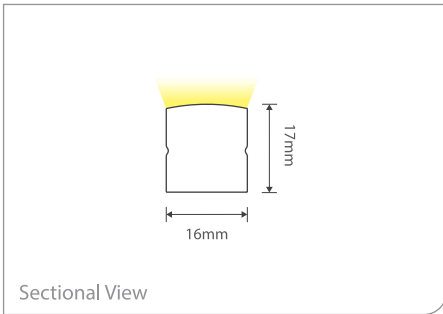
It can withstand temperature between  $-20^{\circ}\text{C}$  to  $55^{\circ}\text{C}$ , without any loss of ductility, deformation, softening nor aging.



**DPF1617-48V**  
(top bend)



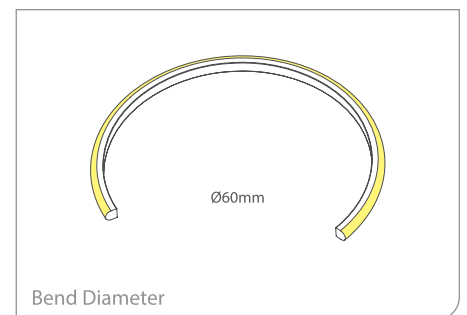
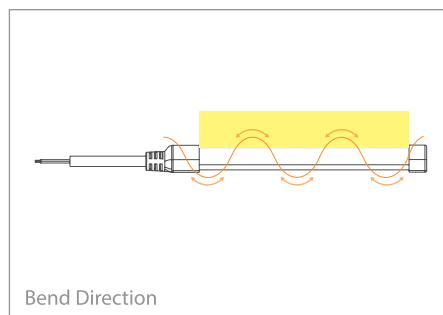
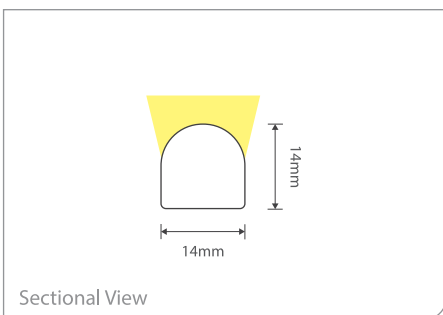
Input Voltage	48VDC
Min Cut (mm)	100
Max Power/Meter (W/m)	9.6
Lumens/Meter (lm/m)	580
CCT/Color	<span>2600 K</span> <span>3000 K</span> <span>4200 K</span> <span>5000 K</span> <span>6000 K</span>
CRI	>80
Min Bending Radius (mm)	120
IP Rating	IP67
Dimensions (mm)	35000x16x17



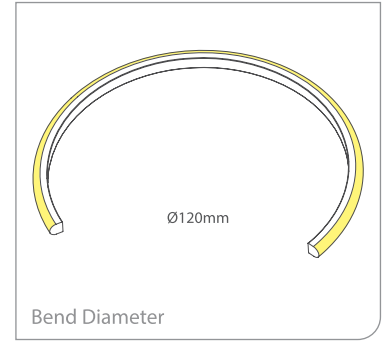
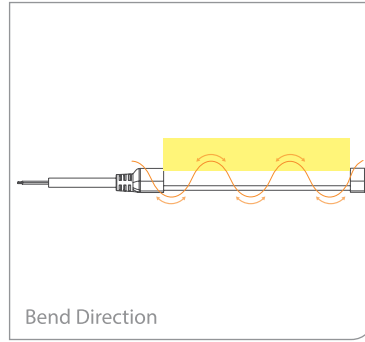
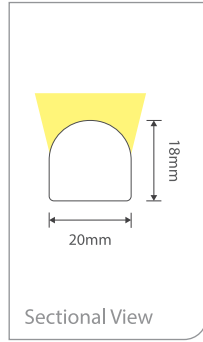
**DPF1414**  
(top bend)



Input Voltage	24VDC
Min Cut (mm)	41.66/50(WN) / 50(RGB)
Max Power/Meter (W/m)	11.5/14.4(WN) / 14.4(RGB)
Lumens/Meter (lm/m)	769/1095(WN) / 492(RGB)
CCT/Color	<span>2300 K</span> <span>2600 K</span> <span>2900 K</span> <span>4000 K</span> <span>4700 K</span> <span>5700 K</span> <span>3000 to 6500 K</span> <span>RGB</span>
CRI	>80
Min Bending Radius (mm)	60
IP Rating	IP67
Dimensions (mm)	5000x14x14/10000x14x14/15000x14x14



**DPF2018**  
(top bend)

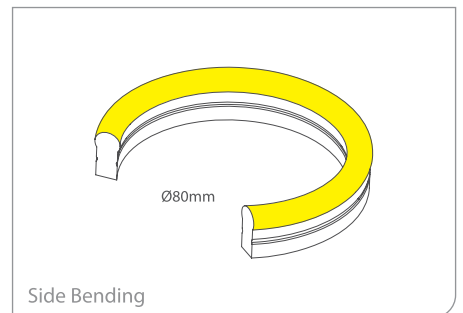
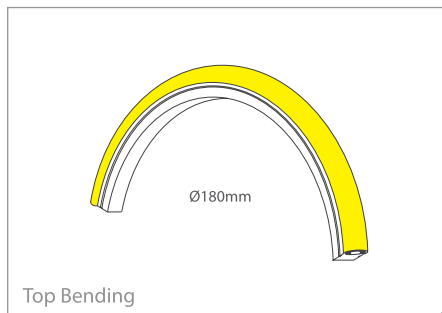
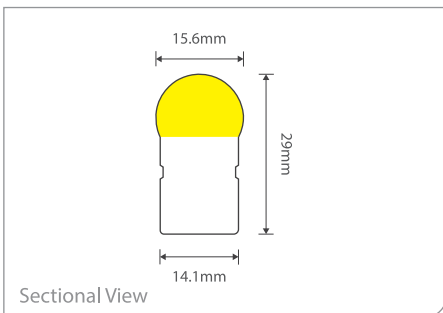


Input Voltage	24VDC
Min Cut (mm)	62.5/50(WN) / 62.5(RGB) / 83.33(RGBW) / 83.33(RGB PIXEL) / 100(RGBW PIXEL)
Max Power/Meter (W/m)	15.3/14.4(WN) / 15.3(RGB) / 17.2(RGBW) / 15.5(RGB PIXEL) / 19.2(RGBW PIXEL)
Lumens/Meter (lm/m)	1469/1313(WN) / 500(RGB) / 876(RGBW) / 382(RGB PIXEL) / 607(RGBW PIXEL)
CCT/Color	
CRI	>80
Min Bending Radius (mm)	120
IP Rating	IP67
Dimensions (mm)	5000x20x18 / 10000x20x18

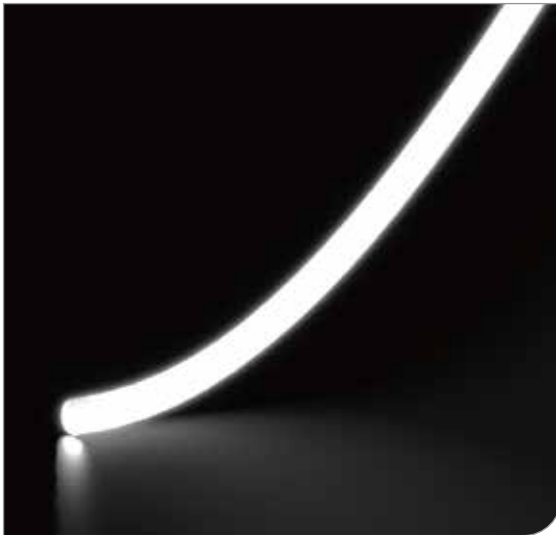
**DPF1429**  
(3D)



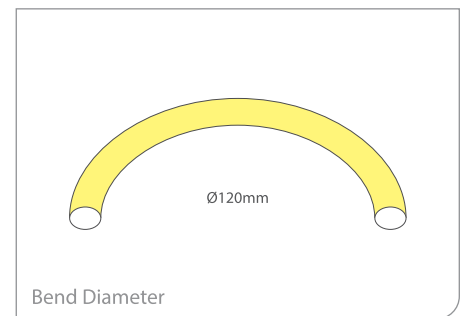
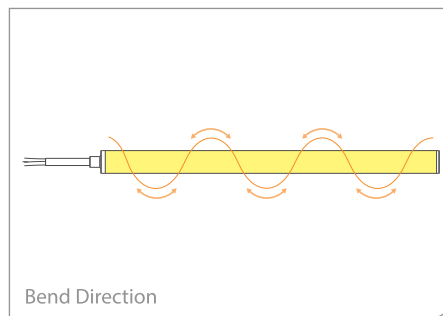
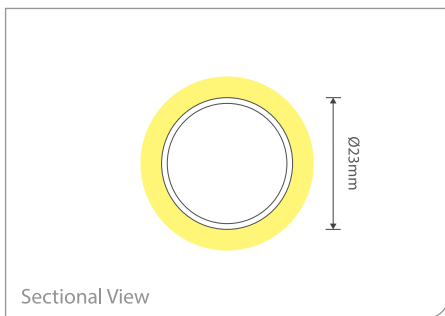
Input Voltage	24VDC
Min Cut (mm)	500
Max Power/Meter (W/m)	9.6
Lumens/Meter (lm/m)	401
CCT/Color	
CRI	>80
Min Bending Radius (mm)	80 (Side Bend) / 180 (Top Bend)
IP Rating	IP67
Dimensions (mm)	25000x14x29



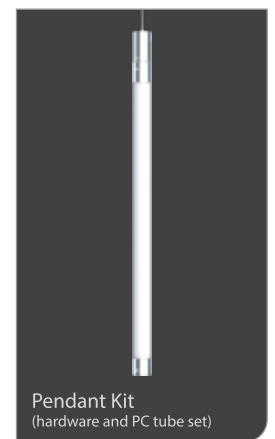
**DPF23**  
(360°)

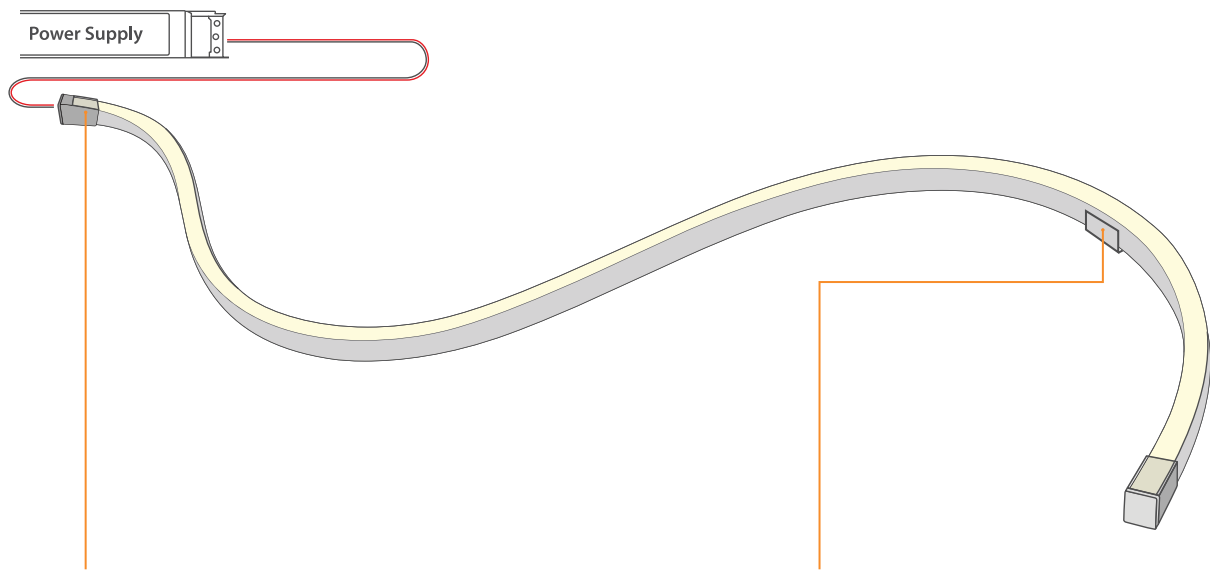


Input Voltage	24VDC
Min Cut (mm)	35.71 / 41.66 (RGB)
Max Power/Meter (W/m)	16 / 19.2 (RGB)
Lumens/Meter (lm/m)	1473 / 35.4 (RGB)
CCT/Color	
CRI	>80
Min Bending Radius (mm)	120
IP Rating	IP67
Dimensions (mm)	5000x23x23



**Installation Method**





### End cap

- End cap (outlet from the top direction)
- End cap (outlet from the bottom direction)
- End cap (outlet from the top direction)
- End cap (outlet from the top direction)
- Plug
- End cap set
- Wire
- Glue

### Installation Accessories

- Flat mounting of clip / Aluminum groove
- Aluminum groove of reserved outlet position
- PC clip / PC groove
- Moldable groove

# High Light Efficiency

## High Light Efficiency

High Lumen Efficiency is useful for both decorative and general lighting purposes



END CAPS

Model	Description	Image
DPF1017-EC	End cap	
DPF1017-ECF	End cap with Front Direction	
DPF1017-ECB	End cap with Bottom Direction	
DPF1017-ECL	End cap with Left Direction	
DPF1017-ECR	End cap with Right Direction	
DPF0410-ECH	End cap with Hole	
DPF0410-EC	End cap	
DPF0612-ECF	End cap with Front Direction	
DPF0612-EC	End cap	
DPF0612-ECB	End cap with Bottom Direction	
DPF1025-EC	End cap	



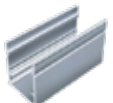
END CAPS		
Model	Description	Image
DPF1025-ECF	End cap with Front Direction	
DPF1025-ECB	End cap with Bottom Direction	
DPF1025-ECR	End cap with Right Direction	
DPF1025-ECL	End cap with Left Direction	
DPF1414-EC	End cap	
DPF1414-ECF	End cap with Front Direction	
DPF1212-EC	End cap	
DPF1212-ECF	End cap with Front Direction	
DPF1212-ECB	End cap with Bottom Direction	
DPF1212-ECR	End cap with Right Direction	
DPF1212-ECL	End cap with Left Direction	

## END CAPS







Model	Description	Image
DPF2018-EC	End cap	
DPF2018-ECF	End cap with Front Direction	
DPF2018-ECB	End cap with Bottom Direction	
DPF2018-ECR	End cap with Right Direction	
DPF2018-ECL	End cap with Left Direction	
DPF1617-EC	End cap	
DPF1617-ECF	End cap with Front Direction	
DPF1617-48-EC	End cap	
DPF1617-48-ECF	End cap with Front Direction	
DPF1429-EC	End cap	
DPF1429-ECB	End cap with Bottom Direction	

CLIPS		
Model	Description	Image
DPF1017-PC-12	Plastic Clip, L;12mm with screws	
DPF1017-AC-12	Aluminum Clip, L;25mm with screws	
DPF0410-PC-12	Plastic Clip, L;12mm with screws	
DPF0612-PC-12	Plastic Clip, L;12mm with screws	
DPF0612-AC-35	Aluminum Clip, L;35mm with screws	
DPF1025-AC-25	Aluminum Clip, L;25mm with screws	
DPF1414-PC-12	Plastic Clip, L;12mm with screws	
DPF1414-AC-25	Aluminum Clip, L;25mm with screws	
DPF1212-AC-35	Aluminum Clip, L;35mm with screws	
DPF2018-PC-20	Plastic Clip, L;20mm with screws	
DPF2018-AC-25	Aluminum Clip, L;25mm with screws	

## CLIPS

Model	Description	Image
DPF1617-AC-35	Aluminum Clip, L;35mm with screws	
DPF1617-48-AC-35	Aluminum Clip, L;35mm with screws	
DPF1429-AC-35	Aluminum Clip, L;35mm with screws	

## ALUMINUM CARRIER

Model	Description	Image
DPF1017-ACC-1000	Aluminum Carries, L;1000mm with screws	
DPF1017-MG-500	Moldable Groove, L;500mm	
DPF0410-ACC-1000	Aluminum Carries, L;1000mm with screws	
DPF0612-ACC-1000	Aluminum Carries, L;1000mm with screws	
DPF1025-ACC-1000	Aluminum Carries, L;1000mm with screws	
DPF1025-MG-500	Moldable Groove, L;500mm	

## ALUMINUM CARRIER

Model	Description	Image
DPF1212-ACC-1000	Aluminum Carries, L;1000mm with screws	
DPF1212-MG-500	Moldable Groove, L;500mm	
DPF2018-ACC-1000	Aluminum Carries, L;1000mm with screws	
DPF1617-ACC-1000	Aluminum Carries, L;1000mm with screws	
DPF1617-MG-500	Moldable Groove, L;500mm	
DPF1617-48-ACC-1000	Aluminum Carries, L;1000mm with screws	
DPF1617-48-MG-500	Moldable Groove, L;500mm	



## Espejo L

## MIRROR LIGHTS



### Description

Espejo L, LED Linear light, uses SMD LEDs and built-in LED driver for indoor applications. Housing is made of Aluminum/PC/ABS material.

### Product Features

- SMD LED
- Built-in LED driver
- High quality diffuser providing uniform light distribution
- Available in different wattages and lengths
- Installation: Surface Mounted/Wall Mounted
- 0-1/10V dimming (optional)
- IP Rating: IP40/IP44

### Electrical Specifications

- Rated Supply Voltage: 220-240VAC
- Frequency: 50/60Hz

### Applications

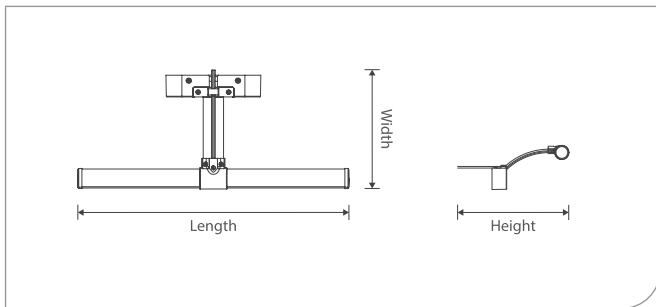
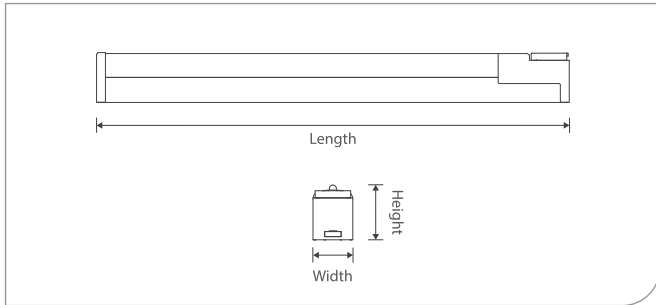
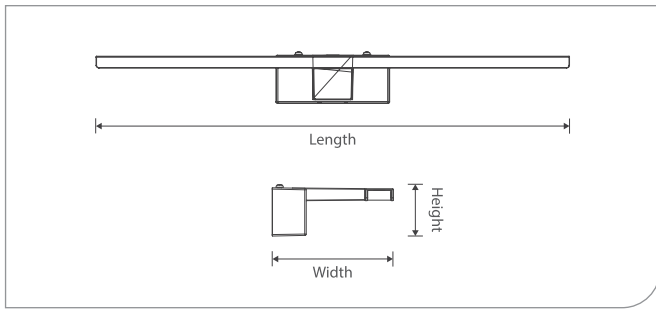


Restrooms & Washrooms



Salons

## Technical Drawings



## Dimensions

Model	Length	Width	Height
DUESL01-06	300mm	128mm	51mm
DUESL01-08	400mm	128mm	51mm
DUESL01-12	600mm	128mm	51mm
DUESL01-15	800mm	128mm	51mm

Model	Length	Width	Height
DUESL02-15	665mm	57mm	70mm
DUESL02-20	865mm	57mm	70mm
DUESL02-24	1065mm	57mm	70mm

Model	Length	Width	Height
DUESL03-06	400mm	168mm	96mm
DUESL03-08	600mm	168mm	96mm

## Technical Specification

Model	Power [W]	LED type	Luminous flux [lm]	Luminous efficacy [lm/W]	CCT [K]	CRI [Ra]
DUESL01-06	6W	SMD LED	480 lm	80 lm/W	3000K	>80
DUESL01-08	8W		640 lm			
DUESL01-12	12W		960 lm			
DUESL01-15	15W		1200 lm	90 lm/W	6500K	
DUESL02-15	15W		1350 lm			
DUESL02-20	20W		1800 lm			
DUESL02-24	24W		2160 lm	110 lm/W		
DUESL03-06	6W		660 lm			
DUESL03-08	8W		880 lm			



## Espejo LM

## MIRROR LIGHTS

### Description

Espejo LM LED Mirror Light uses SMD LEDs and Built-in LED Driver for indoor applications. Housing is made of Aluminum and Glass material.

### Electrical Specifications

- Rated Supply Voltage: 220-240VAC
- Frequency: 50/60Hz

### Applications



Restrooms and Washrooms



Salons

### Optional Functions



Touch Switch



Defog



Time Display



Temperature Display



Three Colour Light



Stepless Dimming

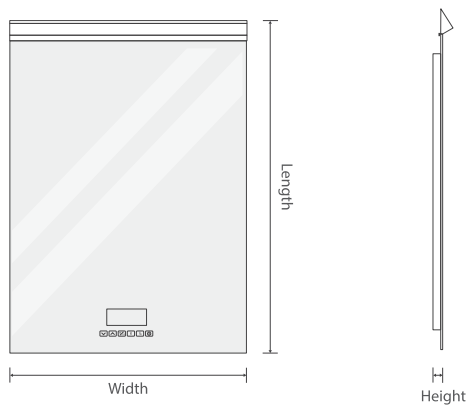
### Product Features

- SMD LEDs
- Intelligent Touch Switch
- Ultra thin design
- CCT Controllable
- Brightness Adjustable
- Intelligent Anti-fog technology
- Operating Temperature : -20°C to -45°C indoors
- Protection Class : I
- Installation: Wall Mounted
- IP Rating: IP40/IP44

## DUESLM01



### Technical Drawing



### Dimensions

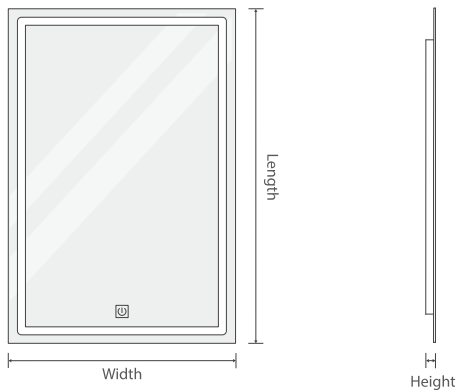
Model	Length	Width	Height
DUESLM01-21	700mm	400mm	25mm
DUESLM01-26	750mm	450mm	25mm
DUESLM01-28	700mm	500mm	25mm
DUESLM01-38	800mm	600mm	25mm

### Technical Specifications

Model	Power [ W ]	LED type	Luminous flux [ lm ]	Luminous efficacy [ lm/W ]	CCT [ K ]	CRI [ Ra ]
DUESLM01-21	21W	SMD LEDs	1260 lm	60 lm/W	3000K	>80
DUESLM01-26	26W		1560 lm		4000K	
DUESLM01-28	28W		1680 lm		6500K	
DUESLM01-38	38W		2280 lm			



## Technical Drawing



## Dimensions

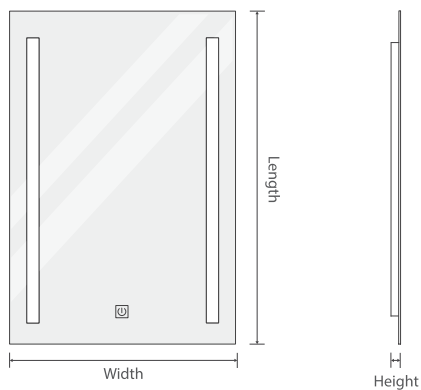
Model	Length	Width	Height
DUESLM02-51	700mm	400mm	25mm
DUESLM02-59	750mm	450mm	25mm
DUESLM02-66	700mm	500mm	25mm
DUESLM02-73	800mm	600mm	25mm

## Technical Specifications

Model	Power [ W ]	LED type	Luminous flux [ lm ]	Luminous efficacy [ lm/W ]	CCT [ K ]	CRI [ Ra ]
DUESLM02-51	51W	SMD LEDs	3060 lm	60 lm/W	3000K	>80
DUESLM02-59	59W		3540 lm		4000K	
DUESLM02-66	66W		3960 lm		6500K	
DUESLM02-73	73W		4380 lm			



## Technical Drawing



## Dimensions

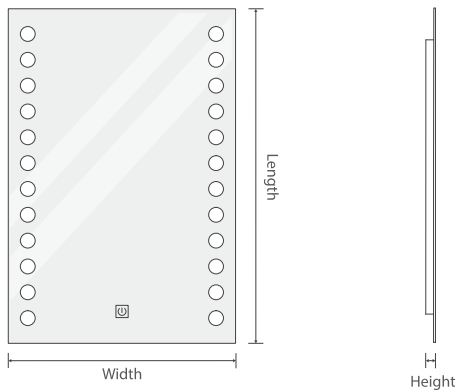
Model	Length	Width	Height
DUESLM03-41	700mm	400mm	25mm
DUESLM03-44	700mm	500mm	25mm
DUESLM03-46	750mm	450mm	25mm
DUESLM03-56	800mm	600mm	25mm

## Technical Specifications

Model	Power [ W ]	LED type	Luminous flux [ lm ]	Luminous efficacy [ lm/W ]	CCT [ K ]	CRI [ Ra ]
DUESLM03-41	41W	SMD LEDs	2706 lm	66 lm/W	3000K 4000K 6500K	>80
DUESLM03-44	44W		2904 lm			
DUESLM03-46	46W		3036 lm			
DUESLM03-56	56W		3696 lm			



## Technical Drawing



## Dimensions

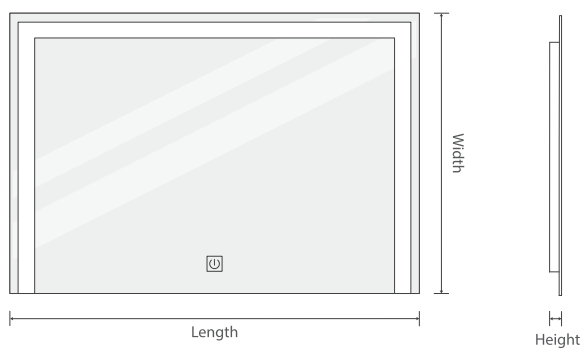
Model	Length	Width	Height
DUESLM04-41	700mm	400mm	25mm
DUESLM04-44	700mm	500mm	25mm
DUESLM04-46	750mm	450mm	25mm
DUESLM04-56	800mm	600mm	25mm

## Technical Specifications

Model	Power [ W ]	LED type	Luminous flux [ lm ]	Luminous efficacy [ lm/W ]	CCT [ K ]	CRI [ Ra ]
DUESLM04-41	41W	SMD LEDs	2706 lm	66 lm/W	3000K	>80
DUESLM04-44	44W		2904 lm		4000K	
DUESLM04-46	46W		3036 lm		6500K	
DUESLM04-56	56W		3696 lm			



## Technical Drawing



## Dimensions

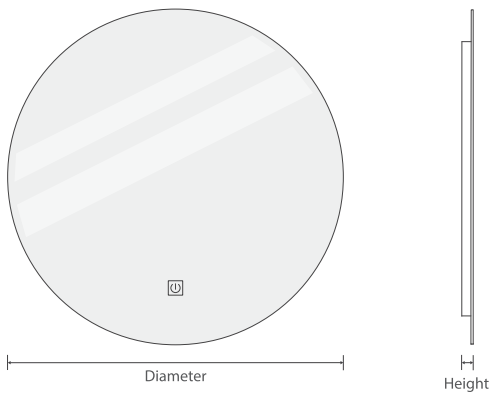
Model	Length	Width	Height
DUESLM05-41	700mm	400mm	25mm
DUESLM05-46	750mm	450mm	25mm
DUESLM05-49	700mm	500mm	25mm
DUESLM05-63	800mm	600mm	25mm

## Technical Specifications

Model	Power [ W ]	LED type	Luminous flux [ lm ]	Luminous efficacy [ lm/W ]	CCT [ K ]	CRI [ Ra ]
DUESLM05-41	41W	SMD LEDs	2706 lm	66 lm/W	3000K	>80
DUESLM05-46	46W		3036 lm		4000K	
DUESLM05-49	49W		3234 lm		6500K	
DUESLM05-63	63W		4158 lm			



## Technical Drawing



## Dimensions

Model	Diameter	Height
DUESLM06-29	Ø 450mm	25mm
DUESLM06-32	Ø 500mm	25mm
DUESLM06-36	Ø 600mm	25mm
DUESLM06-55	Ø 800mm	25mm

## Technical Specifications

Model	Power [ W ]	LED type	Luminous flux [ lm ]	Luminous efficacy [ lm/W ]	CCT [ K ]	CRI [ Ra ]
DUESLM06-29	29W	SMD LEDs	1914 lm	66 lm/W	3000K	>80
DUESLM06-32	32W		2112 lm		4000K	
DUESLM06-36	36W		2376 lm		6500K	
DUESLM06-55	55W		3630 lm			



## Technical Drawing



## Dimensions

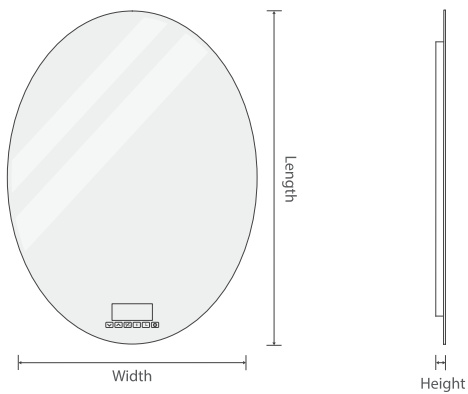
Model	Diameter	Height
DUESLM07-28	Ø 450mm	25mm
DUESLM07-34	Ø 500mm	25mm
DUESLM07-36	Ø 600mm	25mm
DUESLM07-53	Ø 800mm	25mm

## Technical Specifications

Model	Power [ W ]	LED type	Luminous flux [ lm ]	Luminous efficacy [ lm/W ]	CCT [ K ]	CRI [ Ra ]
DUESLM07-28	28W	SMD LEDs	1848 lm	66 lm/W	3000K	>80
DUESLM07-34	34W		2244 lm		4000K	
DUESLM07-36	36W		2376 lm		6500K	
DUESLM07-53	53W		3498 lm			



## Technical Drawing



## Dimensions

Model	Length	Width	Height
DUESLM08-39	700mm	400mm	25mm
DUESLM08-42	750mm	450mm	25mm
DUESLM08-42	700mm	500mm	25mm
DUESLM08-57	800mm	600mm	25mm

## Technical Specifications

Model	Power [ W ]	LED type	Luminous flux [ lm ]	Luminous efficacy [ lm/W ]	CCT [ K ]	CRI [ Ra ]
DUESLM08-39	39W	SMD LEDs	2574 lm	66 lm/W	3000K	>80
DUESLM08-42	42W		2772 lm		4000K	
DUESLM08-42	42W		2772 lm		6500K	
DUESLM08-57	57W		3762 lm			





**Retail Linear Light** **LINEAR LIGHTS**



**Description**

Retail Linear Light, uses SMD LEDs and adjustable built-in LED driver for indoor applications. Housing is made of steel material.




**Product Features**

- SMD LEDs
- Built-in LED driver
- Optional Motion Sensor
- Temperature range: -30°C to 50°C
- Installation: Surface / Pendant
- 0-1/10V dimming, DALI dimming (optional)
- IP rating: IP20
- Lifespan: 50,000 hours

**Electrical Specifications**

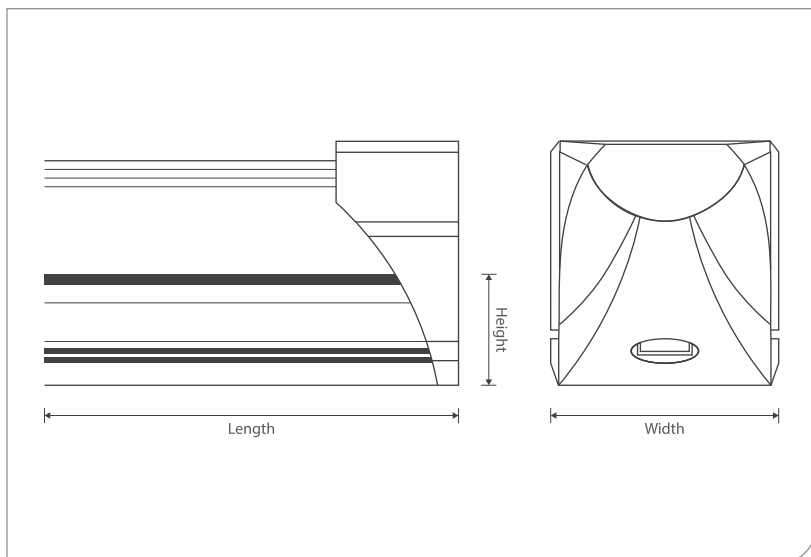
- Rated Supply Voltage: 220-240V
- Frequency: 50/60Hz

**Applications**

-  Shopping Malls
-  Restaurants
-  Showrooms



## Dimensions



Model	Length	Width	Height
DUL301-35	1500mm	76mm	70mm
DUL301-40	1500mm	76mm	70mm
DUL301-45	1500mm	76mm	70mm
DUL301-50	1500mm	76mm	70mm
DUL301-55	1500mm	76mm	70mm
DUL301-60	1500mm	76mm	70mm
DUL301-65	1500mm	76mm	70mm
DUL301-70	1500mm	76mm	70mm

## Installation Accessories



Cover



Sensor and Dimming Function



End Caps



Clips



Linear Suspension Accessories



Feed-in Connector



Terminal Feed-in Box



L-connector



T-connector



X-connector

## Technical Specifications

Model	Power [W]	LED type	Luminous flux [lm]	Luminous efficacy [lm/W]	CCT [K]	Beam angle	CRI [Ra]
DUL301-35	35W	SMD LEDs	5600 lm	160 lm/W	3000K 4000K 6500K	30° 60° 90° 120° Diffuse Double Asymmetric	>80
DUL301-40	40W		6400 lm				
DUL301-45	45W		7200 lm				
DUL301-50	50W		8000 lm				
DUL301-55	55W		8800 lm				
DUL301-60	60W		9600 lm				
DUL301-65	65W		10400 lm				
DUL301-70	70W		11200 lm				



## Retail Linear PRO Light

## LINEAR LIGHTS



### Description

Retail Linear PRO Light, uses SMD LEDs and adjustable built-in LED driver for indoor applications. Housing is made of steel material.

### Product Features

- SMD LEDs
- Built-In LED Driver
- Installation: Pendant / Surface Mounted
- Material: Stainless Steel
- IP Rating: IP20
- Ultra slim delicate design
- Tiltable Lighting panel up to 30°
- DIP switch driver design
- Various beam optics for different applications
- Perfect combination with Track Spotlight
- Three Phase Adjustable
- 0-1/10V dimming, DALI dimming (optional)
- Life span: 50,000 hours

### Electrical Specifications

- Rated Supply Voltage: 220-240V
- Frequency: 50/60Hz

### Applications



Showrooms

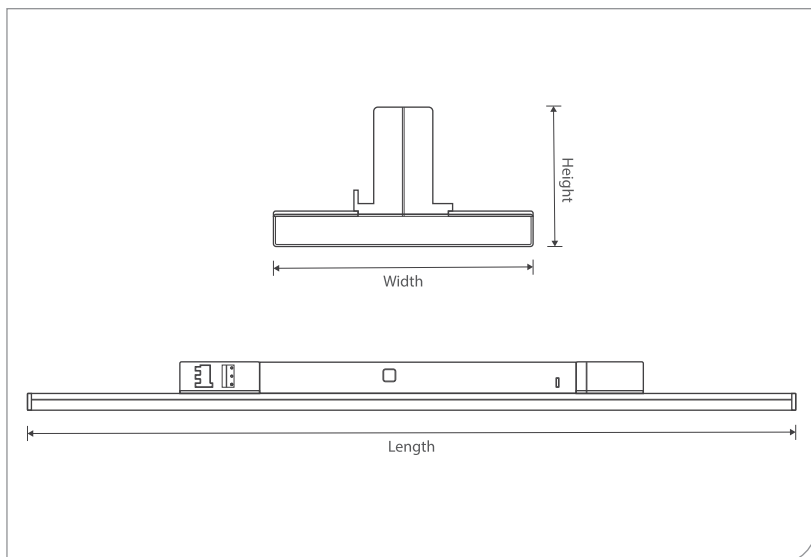


Supermarkets



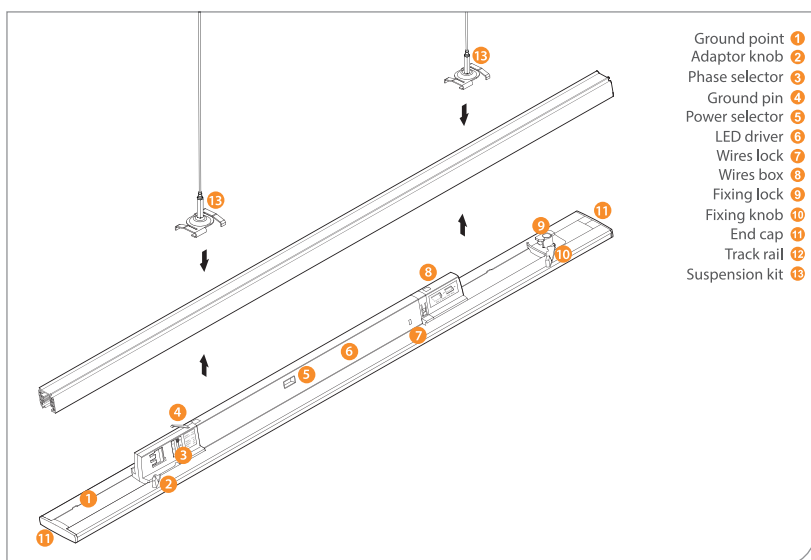
Warehouses & Factories

## Dimensions

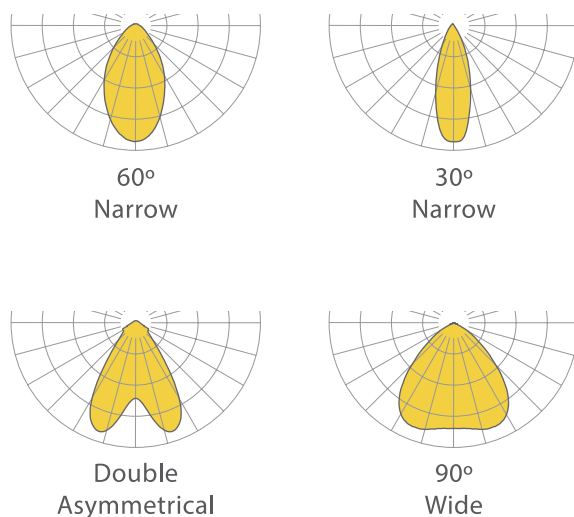


Model	Length	Width	Height
DUL501-14	600mm	60mm	11mm
DUL501-16	600mm	60mm	11mm
DUL501-18	600mm	60mm	11mm
DUL501-20	600mm	60mm	11mm
DUL502-35	1493mm	60mm	11mm
DUL502-40	1493mm	60mm	11mm
DUL502-45	1493mm	60mm	11mm
DUL502-50	1493mm	60mm	11mm

## Installation Accessories



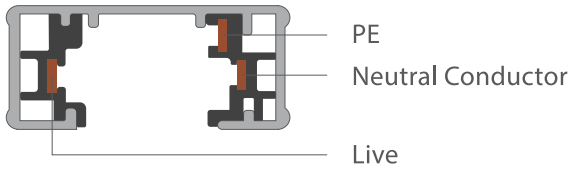
## Photometric Diagrams



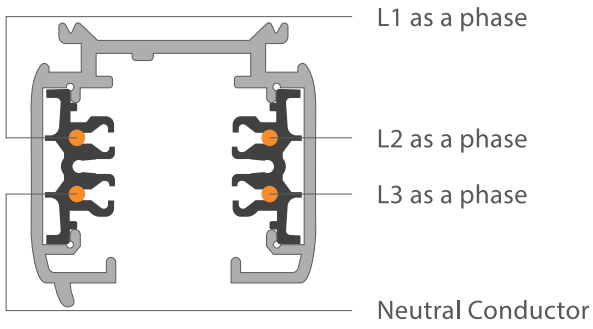
## Technical Specifications

Model	Power [W]	LED type	Luminous flux [lm]	Luminous efficacy [lm/W]	CCT [K]	Beam angle	CRI [Ra]
DUL501-14	14W	SMD LEDs	2240 lm	160 lm/W	2000K	30°	>80
DUL501-16	16W		2560 lm		2700K		
DUL501-18	18W		2880 lm		3000K		
DUL501-20	20W		3200 lm		4000K		
DUL502-35	35W		5600 lm		5000K	Double Asymmetric	
DUL502-40	40W		6400 lm		6000K		
DUL502-45	45W		7200 lm		6500K		
DUL502-50	50W		8000 lm				

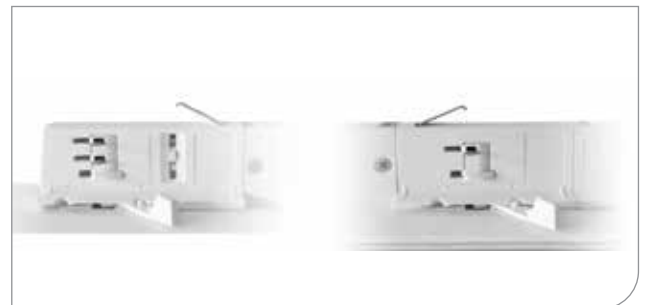
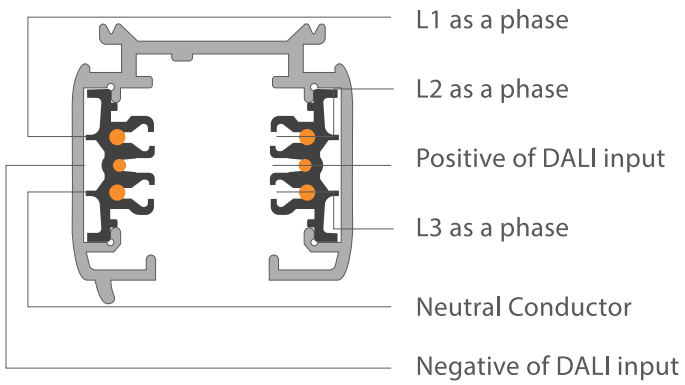
**DUTR-03 (3 Line Track)**



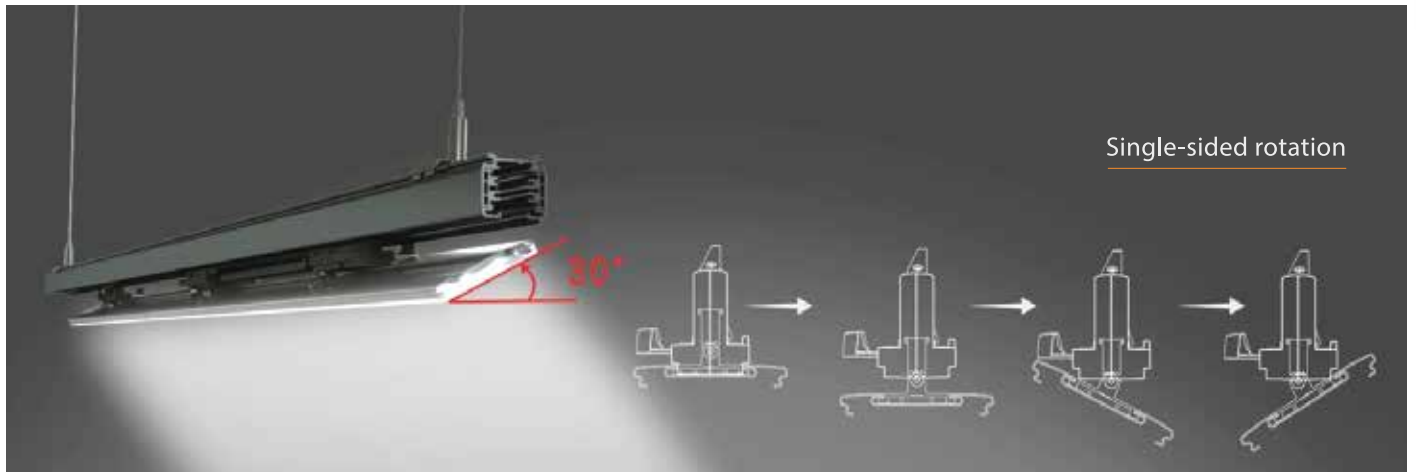
**DUTR-04 (4 Line Track)**



**DUTR-06 (6 Line DALI Track)**



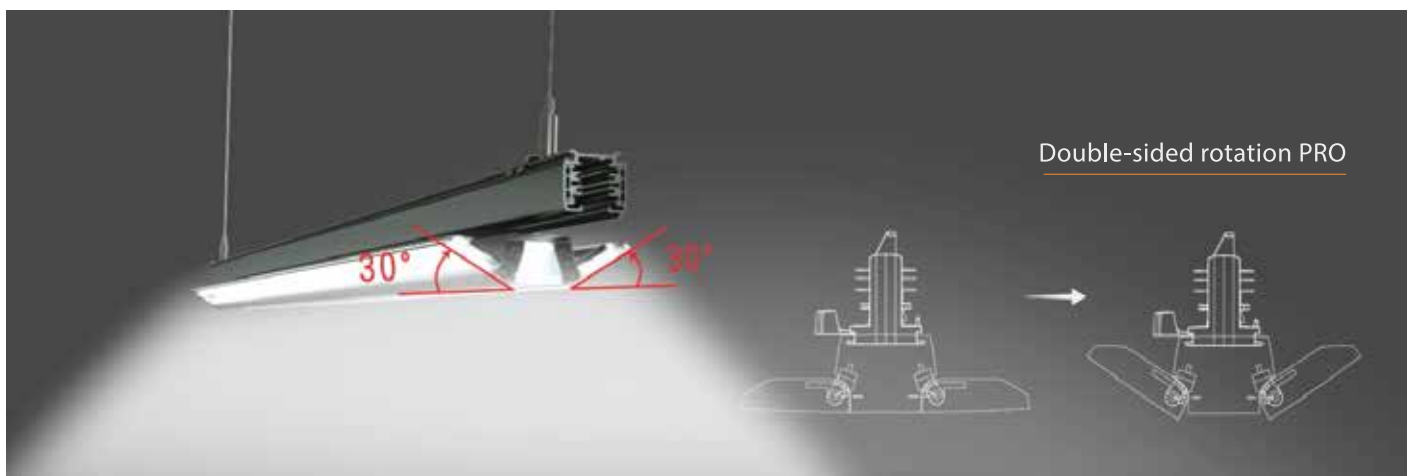
DUL501/502-ST



DUL501/502-DT



DUL501/502-DTP



## Accessories



Track



Power Adaptor



End Cap



Mechanical Connector



180° Connector



90° Connector



Flexible Connector



T-connector



X-connector

## Types of Lens



60°/90°  
Double Asymmetric



120°  
Frosted



120°  
Clear



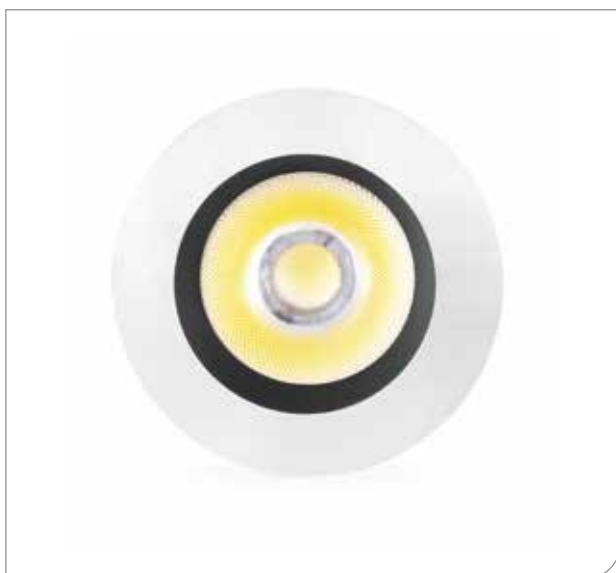
120°  
PC Cover

# SPOTLIGHTS



Estilo Elite

SPOTLIGHTS



#### Description

Estilo Elite, LED Spotlight, uses COB LED for indoor applications. Housing is made of Die-Cast Aluminum. Luminaire uses PC type lens.

#### Product Features

- COB LED
- High-quality PC lens
- Deep housing for Anti-Glare and narrower beam angle
- Installation: Surface mounted
- 0-1/10V dimming, DALI dimming (optional)
- IP Rating: IP20/IP44
- Life Span: 50,000 hours

#### Electrical Specifications

- Rated Supply Voltage: 220-240V
- Frequency: 50/60Hz

#### Applications



Offices



Restaurants

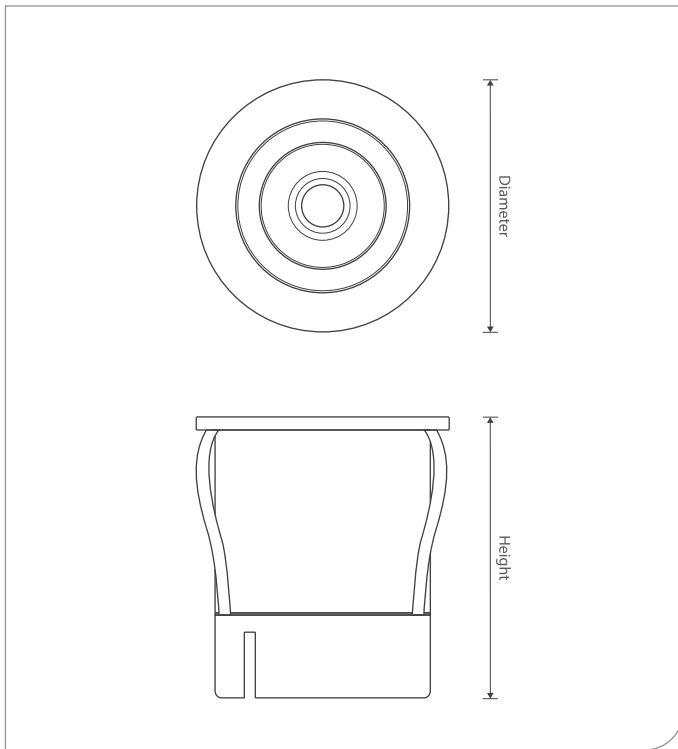


Showrooms



Shopping Malls

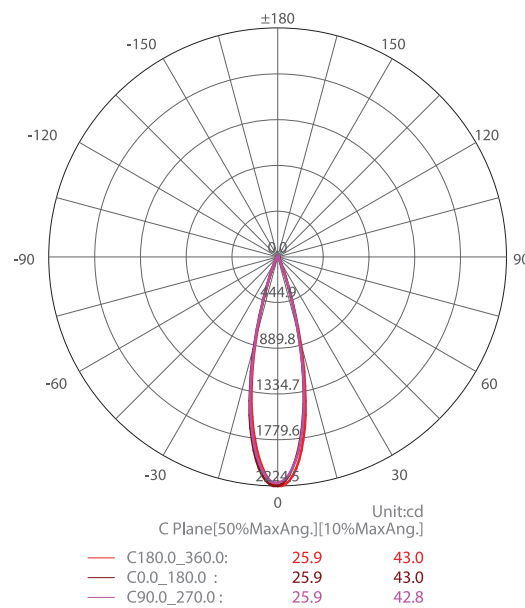
## Technical Drawing



## Dimensions

Model	Diameter	Height
DUESEL-1	Φ 22mm	41mm
DUESEL-2	Φ 35mm	35mm
DUESEL-3	Φ 45mm	46mm
DUESEL-5	Φ 55mm	61mm
DUESEL-7	Φ 65mm	69mm
DUESEL-10	Φ 80mm	79mm

## Photometric Diagram



## Technical Specifications

Model	Power [W]	LED type	Luminous flux [lm]	Luminous efficacy [lm/W]	CCT [K]	Beam angle	Cut-out [mm]	CRI [Ra]
DUESEL-1	1W	COB LED	100 lm	100 lm/W	3000K 4000K 6500K	5° 8° 10° 25° 40°	18mm	>80
DUESEL-2	2W		200 lm				30mm	
DUESEL-3	3W		300 lm				40mm	
DUESEL-5	5W		500 lm				50mm	
DUESEL-7	7W		700 lm				60mm	
DUESEL-10	10W		1000 lm				70mm	



## Estilo Maze

## SPOTLIGHTS



### Description

Estilo Maze, LED Spotlight, uses COB LED for indoor applications. Housing is made of Die-Cast Aluminum. Luminaire uses PC type lens.

### Product Features

- COB LED
- High-quality PC lens
- Installation: Recessed mounted
- 0-1/10V dimming, DALI dimming, emergency (optional)
- IP Rating: IP20/IP44
- Life Span: 50,000 hours

### Electrical Specifications

- Rated Supply Voltage: 220-240V
- Frequency: 50/60Hz

### Applications



Offices



Restaurants



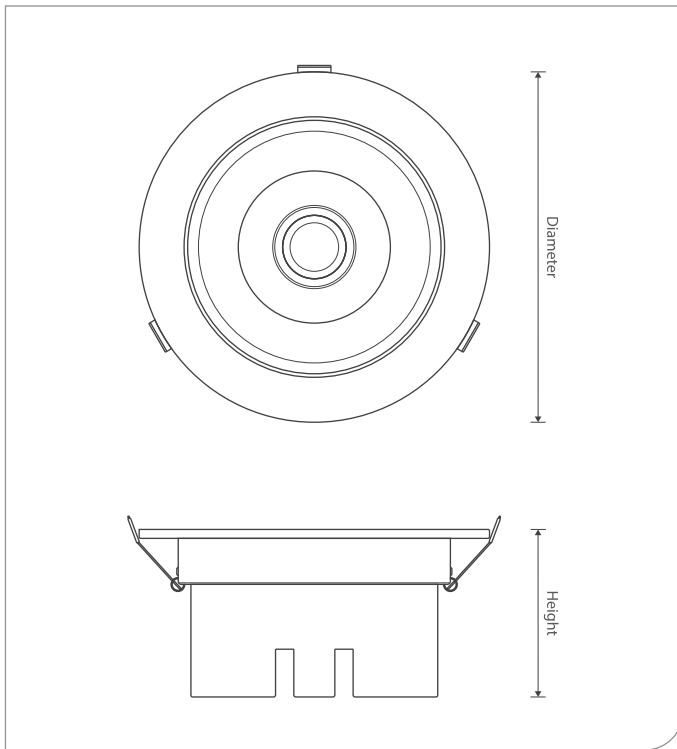
Showrooms



Shopping Malls



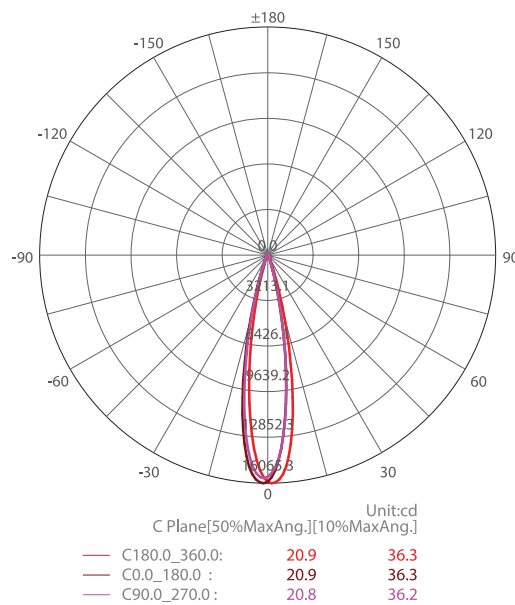
## Technical Drawing



## Dimensions

Model	Diameter	Height
DUESMZ-5	Φ 90mm	45mm
DUESMZ-10	Φ 90mm	55mm
DUESMZ-15	Φ 108mm	48mm
DUESMZ-20	Φ 138mm	62mm
DUESMZ-30	Φ 158mm	69mm

## Photometric Diagram



## Technical Specifications

Model	Power [W]	LED type	Luminous flux [lm]	Luminous efficacy [lm/W]	CCT [K]	Beam angle	Cut-out [mm]	CRI [Ra]
DUESMZ-5	5W	COB LED	500 lm	100 lm/W	3000K	10°	75mm	>80
DUESMZ-10	10W		1000 lm				75mm	
DUESMZ-15	15W		1500 lm				95mm	
DUESMZ-20	20W		2000 lm				120mm	
DUESMZ-30	30W		3000 lm				140mm	



Estilo S

SPOTLIGHTS



#### Description

Estilo S, LED Spotlight, uses COB LED for indoor applications. Housing is made of Die-Casted Aluminum. Luminaire uses PC reflector and glass diffuser.

#### Product Features

- COB LED
- Luminaire has a tilt rotation feature; it can rotate vertically
- Installation: Recessed Mounted
- 0-1/10V dimming, DALI dimming, emergency (optional)
- IP rating: IP20 / IP44
- Life-span: 50,000 hours

#### Electrical Specifications

- Rated Supply Voltage: 220-240V
- Frequency: 50/60Hz

#### Applications



Offices



Restaurants

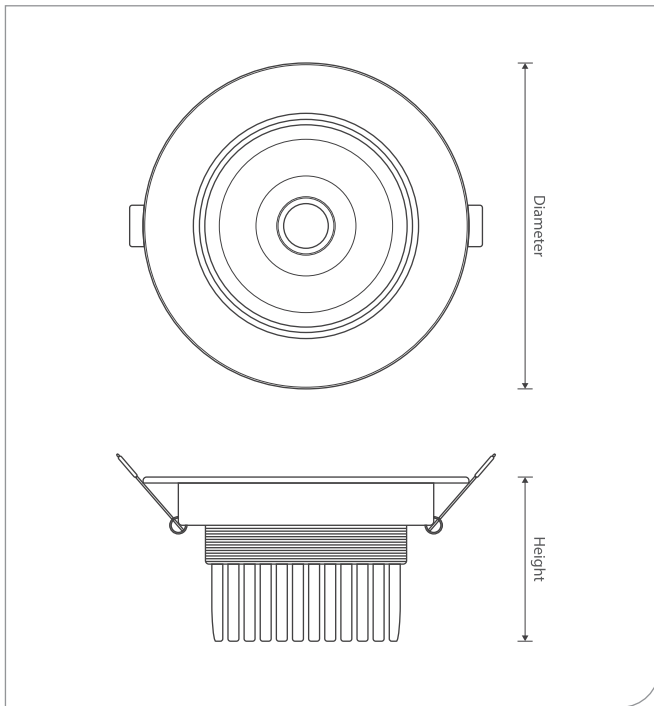


Shopping Malls



Museums & Art Galleries

## Technical Drawing

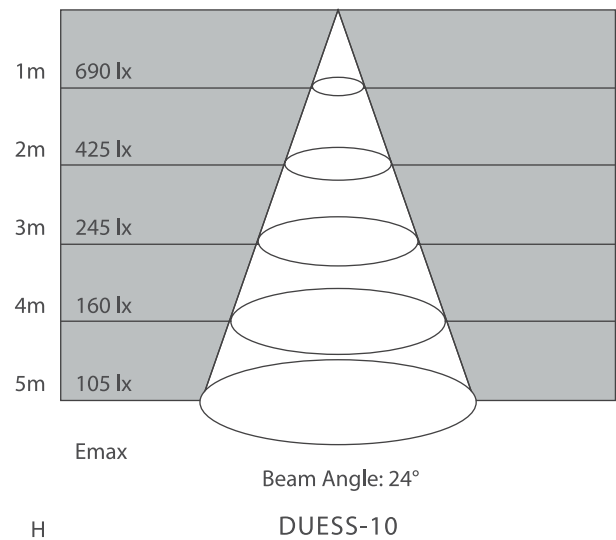
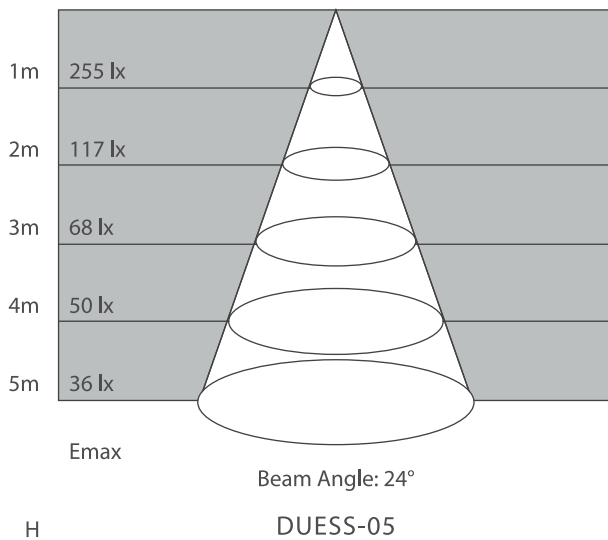


## Dimensions

Model	Diameter	Height
DUESS-05	Φ 89mm	47mm
DUESS-10	Φ 109mm	67mm

SPOTLIGHTS

## Light Distribution Curves



## Technical Specifications

Model	Power [W]	LED type	Luminous flux [lm]	Luminous efficacy [lm/W]	CCT [K]	Beam angle	Cut-out [mm]	CRI [Ra]
DUESS-05	5W	COB LED	440 lm	88 lm/W	3000K	24°	65mm	>80
DUESS-10	10W		880 lm		4000K		87mm	
					6500K			



Estilo Tutto

SPOTLIGHTS



#### Description

Estilo Tutto, LED Spotlight, uses COB LED for indoor applications. Housing is made of Die-Cast Aluminum. Luminaire uses high-quality PC reflector.




#### Product Features

- COB LED
- High-quality PC reflector
- Installation: Recessed mounted
- 0-1/10V dimming, DALI dimming, emergency (optional)
- IP Rating: IP20/IP44
- Life Span: 50,000 hours

#### Electrical Specifications

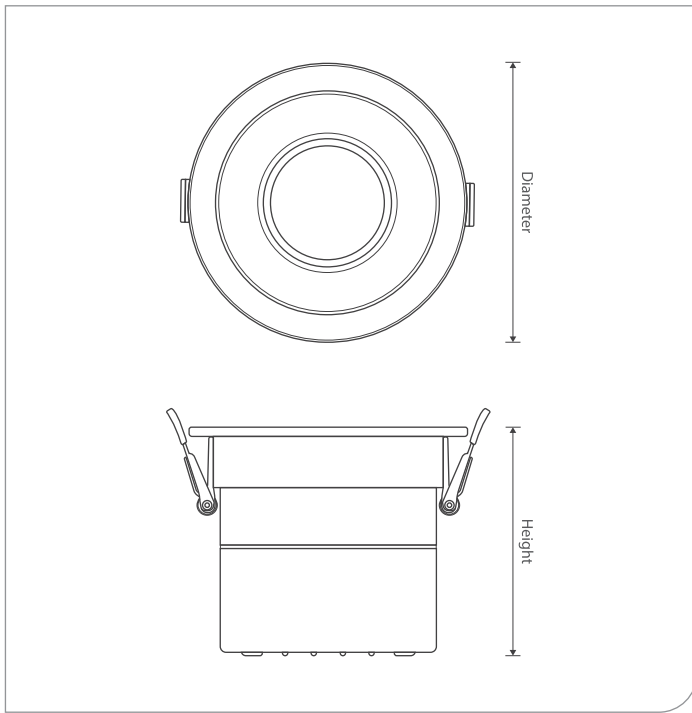
- Rated Supply Voltage: 220-240VAC
- Frequency: 50/60Hz

#### Applications

-  Shopping Malls
-  Showrooms
-  Offices



## Technical Drawing

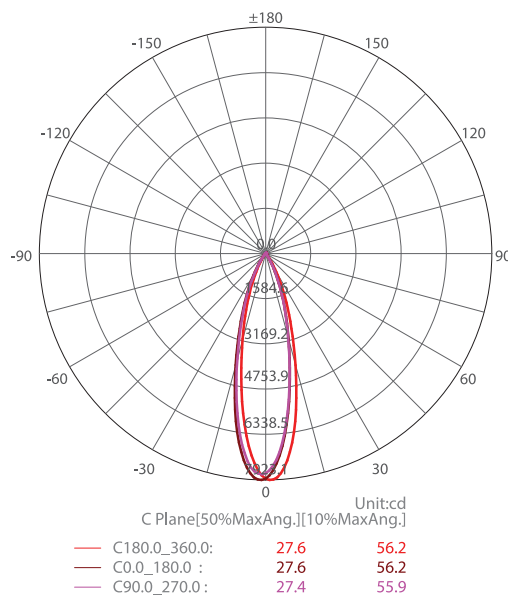


## Dimensions

Model	Diameter	Height
DUESTU-5	Φ 63mm	63mm
DUESTU-10	Φ 85mm	76mm
DUESTU-20	Φ 85mm	93mm
DUESTU-25	Φ 105mm	99mm
DUESTU-30	Φ 130mm	115mm

SPOTLIGHTS

## Photometric Diagram



## Technical Specifications

Model	Power [ W ]	LED type	Luminous flux [ lm ]	Luminous efficacy [lm/W]	CCT [ K ]	Beam angle	Cut-out [ mm ]	CRI [ Ra ]
DUESTU-5	5W	COB LED	500 lm	100 lm/W	3000K	15°	58mm	>80
DUESTU-10	10W		1000 lm				75mm	
DUESTU-20	20W		2000 lm				75mm	
DUESTU-25	25W		2500 lm				95mm	
DUESTU-30	30W		3000 lm				120mm	



Estilo MH

SPOTLIGHTS



#### Description

Estilo MH, LED adjustable Spotlight, uses COB LED for indoor applications. Housing is made of Die-Cast Aluminum coated with powder paint. Luminaire uses high-quality PC reflector/lens.

#### Product Features

- COB LED
- High-quality PC reflector/lens
- Different beam angle options are available
- Luminaire can be rotated 350° horizontally and 60° vertically

#### Installation: Recessed Mounted

- 0-1/10V dimming, DALI dimming, emergency (optional)
- IP rating: IP20
- Life-span: 50,000 hours

#### Electrical Specifications

- Rated Supply Voltage: 220-240V
- Frequency: 50/60Hz

#### Applications



Shopping Malls



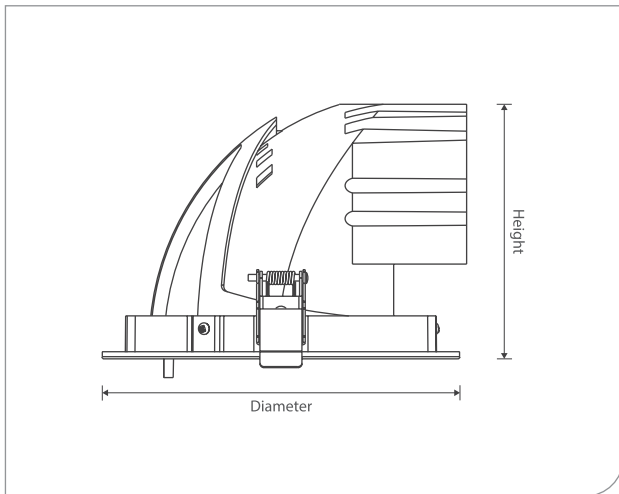
Showrooms



Shops



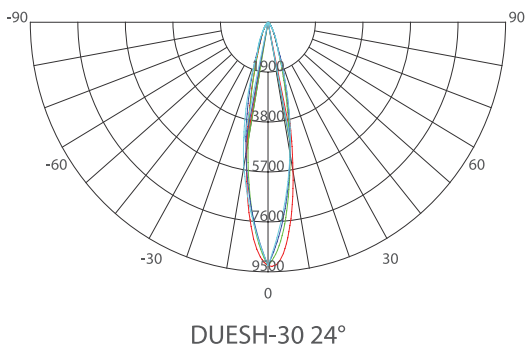
## Technical Drawing



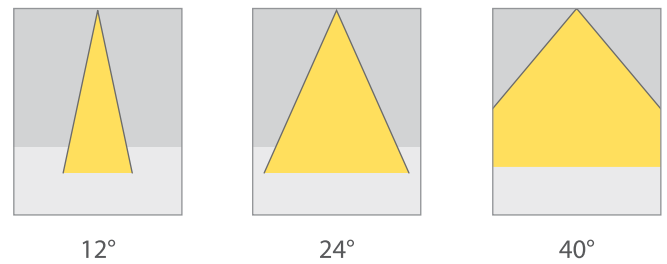
## Dimensions

Model	Diameter	Height
DUESMH-09	Ø 96mm	74mm
DUESMH-18	Ø 115mm	90mm
DUESMH-30	Ø 162mm	135mm
DUESMH-50	Ø 200mm	170mm
DUESMH1-12	Ø 102mm	74mm
DUESMH1-20	Ø 132mm	92mm
DUESMH1-30	Ø 162mm	116mm

## Photometric Diagram



## Light Distribution Curves



## Technical Specifications

Model	Power [ W ]	LED type	Luminous flux [ lm ]	Luminous efficacy [ lm/W ]	CCT [ K ]	Beam angle	Cut-out [ mm ]	CRI [ Ra ]
DUESMH-09	9W	COB LED	745 lm	83 lm/W	3000K 4000K 6500K	12° 24° 40°	85mm	>80
DUESMH-18	18W		1585 lm	88 lm/W			105mm	
DUESMH-30	30W		2700 lm	90 lm/W			150mm	
DUESMH-50	50W		4650 lm	93 lm/W			185mm	
DUESMH1-12	12W		875 lm	73 lm/W			95mm	
DUESMH1-20	20W		1500 lm	75 lm/W			125mm	
DUESMH1-30	30W		2400 lm	80 lm/W			145mm	



Estilo TW

SPOTLIGHTS



#### Description

Estilo TW, LED Spotlight, uses SMD LEDs for indoor applications. Housing is made of aluminum and plastic material.

#### Product Features

- SMD LEDs
- Selective CCT via dip switch
- Elegant and Stylish design
- Good thermal management
- IP Rating: IP20
- Life Span: 50,000 hours

#### Electrical Specifications

- Rated Supply Voltage: 220-240VAC
- Frequency: 50/60Hz

#### Applications



Offices



Showrooms



Shopping Malls

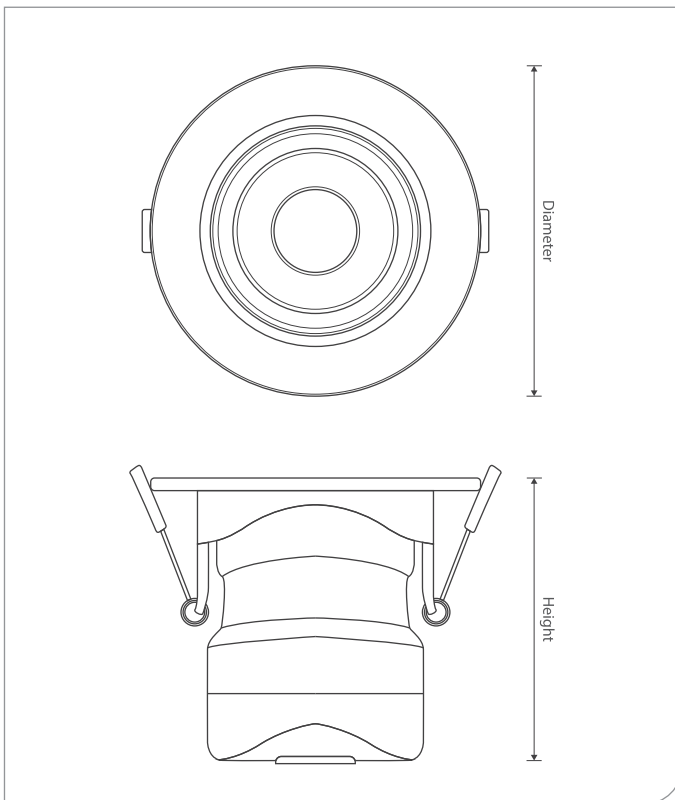


Restaurants



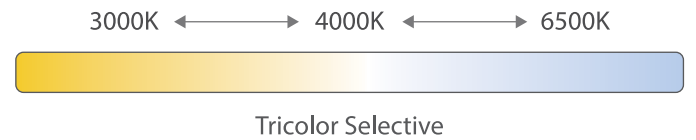


### Technical Drawing



### Dimensions

Model	Diameter	Height
DUESTW-6	Φ 90mm	63mm
DUESTW-9	Φ 105mm	73mm



### Technical Specifications

Model	Power [W]	LED type	Luminous flux [lm]	Luminous efficacy [lm/W]	CCT [K]	Beam angle	Cut-out [mm]	CRI [Ra]
DUESTW-6	6W	COB	580 lm	96 lm/W	Tricolor Selective 3000K/4000K/5700K	100°	70mm	>80
DUESTW-9	9W	LED	890 lm	98 lm/W			90mm	



Estilo SM

SPOTLIGHTS



#### Description

Estilo SM, LED Spotlight, uses COB LED for indoor applications. Housing is made of Die-Cast Aluminum material. Luminaire uses PC reflector.

#### Product Features

- COB LED
- Installation: Surface Mounted
- 0-1/10V dimming, DALI dimming (optional)
- IP Rating: IP20
- Life Span: 50,000 hours



#### Electrical Specifications

- Rated Supply Voltage: 220-240V
- Frequency: 50/60Hz

#### Applications



Offices



Restaurants

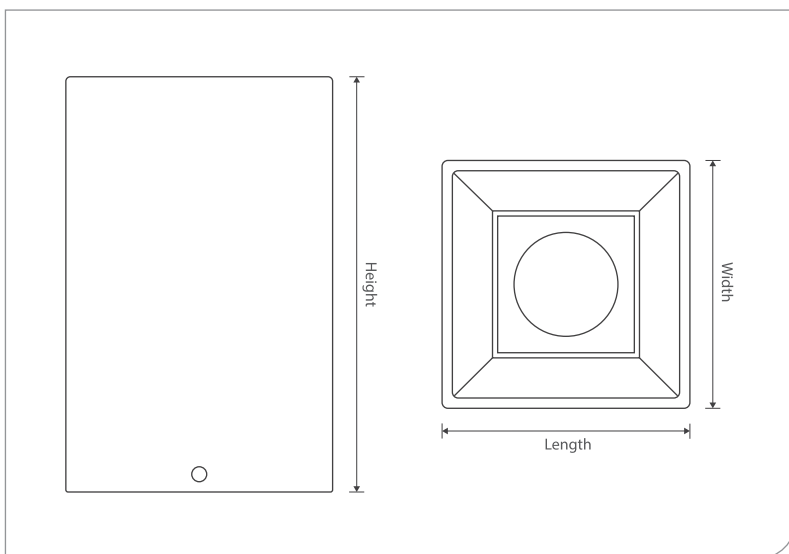
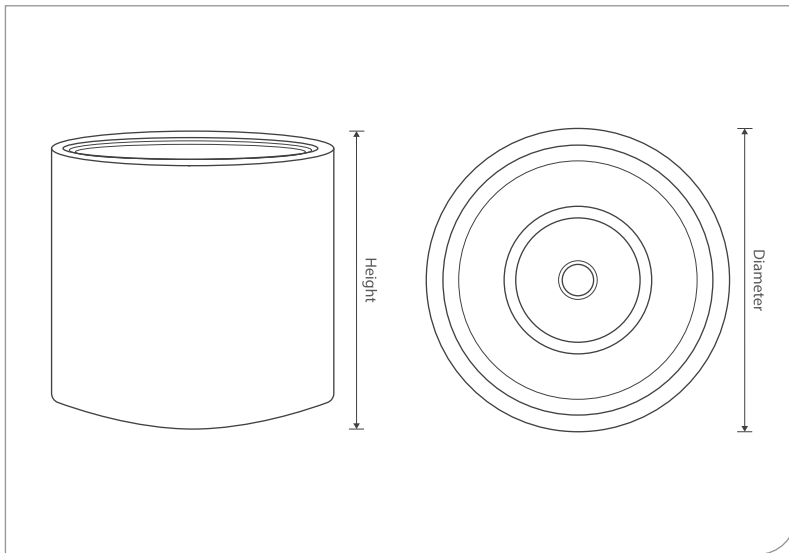


Shopping Malls



Museums & Art Galleries

## Technical Drawing



## Dimensions

Model	Diameter	Height
DUESSM01-5	Φ85mm	75mm
DUESSM01-10	Φ100mm	75mm
DUESSM02-15	Φ76mm	150mm
DUESSM02-20	Φ96mm	150mm
DUESSM02-30	Φ116mm	150mm
DUESSM02-40	Φ142mm	170mm
DUESSM02-50	Φ171mm	180mm
DUESSM02-60	Φ206mm	210mm

Model	Length	Width	Height
DUESSM03-15	76mm	76mm	150mm
DUESSM03-25	96mm	96mm	150mm
DUESSM03-30	116mm	116mm	150mm

## Technical Specifications

Model	Power [W]	LED type	Luminous flux [lm]	Luminous efficacy [lm/W]	Beam angle	CCT [K]	CRI [Ra]	
DUESSM01-5	5W	COB LED	425 lm	85 lm/W	24°	3000K	>80	
DUESSM01-10	10W		850 lm					
DUESSM02-15	15W		1275 lm		15°/30°/45°			4000K
DUESSM02-20	20W		1700 lm					
DUESSM02-30	30W		2550 lm					
DUESSM02-40	40W		3400 lm					6500K
DUESSM02-50	50W		4250 lm					
DUESSM02-60	60W		5100 lm					
DUESSM03-15	15W		1275 lm					2550 lm
DUESSM03-25	25W		2125 lm					
DUESSM03-30	30W	2550 lm						



Estilo Mini

SPOTLIGHTS



#### Description

Estilo Mini, LED Spotlight, uses COB LED for indoor applications. Housing is made of Die-Cast Aluminum.

#### Product Features

- COB LED
- Installation: Surfaced/Recessed Mounted
- 0-1/10V dimming, DALI dimming, emergency (optional)
- IP rating: IP20
- Life-span: 50,000 hours

#### Electrical Specifications

- Rated Supply Voltage: 220-240V
- Frequency: 50/60Hz

#### Applications



Restaurants & Cafes



Showrooms



Retail Shops



**DUES06-03**

Installation	Recessed Mounted
Power	3W
Housing	Die-Casted Aluminum
Housing Color	White
Diameter	Φ45mm
Cut-out	33mm
CCT	3000K/4000K/6500K
IP rating	IP20

**DUES07-03**

Installation	Recessed Mounted
Power	3W
Housing	Die-Casted Aluminum
Housing Color	White
Diameter	Φ50mm
Cut-out	36mm
CCT	3000K/4000K/6500K
IP rating	IP20

**DUES08-03**

Installation	Recessed Mounted
Power	3W
Housing	Die-Casted Aluminum
Housing Color	White/Gold/Black
Diameter	Φ35mm
Cut-out	27mm
CCT	3000K/4000K/6500K
IP rating	IP20

**DUES09-01**

Installation	Recessed Mounted
Power	1W
Housing	Die-Casted Aluminum
Housing Color	White
Diameter	Φ35mm
Cut-out	27mm
CCT	3000K/4000K/6500K
IP rating	IP20

**DUES10-01**

Installation	Recessed Mounted
Power	1W
Housing	Die-Casted Aluminum
Housing Color	White
Diameter	Φ42mm
Cut-out	32mm
CCT	3000K/4000K/6500K
IP rating	IP20

**DUES11-01**

Installation	Recessed Mounted
Power	1W
Housing	Die-Casted Aluminum
Housing Color	White
Diameter	Φ38mm
Cut-out	30mm
CCT	3000K/4000K/6500K
IP rating	IP20

**DUES12-05**

Installation	Surface Mounted
Power	5W
Housing	Die-Casted Aluminum
Housing Color	White/Gold/Black
Diameter	Φ74mm
Cut-out	N/A
CCT	3000K/4000K/6500K
IP rating	IP20

**DUES13-01**

Installation	Recessed Mounted
Power	1W
Housing	Die-Casted Aluminum
Housing Color	White/Gold/Black
Diameter	Φ50mm
Cut-out	32mm
CCT	3000K/4000K/6500K
IP rating	IP20

**DUES14-03**

Installation	Recessed Mounted
Power	3W
Housing	Die-Casted Aluminum
Housing Color	White
Diameter	Φ72mm
Cut-out	64mm
CCT	3000K/4000K/6500K
IP rating	IP20



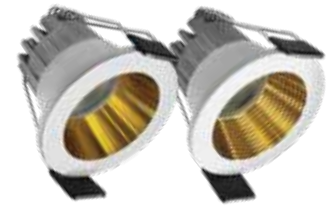
**DUES15-03**

Installation	Recessed Mounted
Power	3W
Housing	Die-Casted Aluminum
Housing Color	White/Gold/Black
Diameter	Φ49mm
Cut-out	38mm
CCT	3000K/4000K/6500K
IP rating	IP20



**DUES16-03**

Installation	Recessed Mounted
Power	3W
Housing	Die-Casted Aluminum
Housing Color	Gold/Wooden
Diameter	Φ51mm
Cut-out	49mm
CCT	3000K/4000K/6500K
IP rating	IP20



**DUES17-03**

Installation	Recessed Mounted
Power	3W
Housing	Die-Casted Aluminum
Housing Color	White
Diameter	Φ50mm
Cut-out	36mm
CCT	3000K/4000K/6500K
IP rating	IP20



**DUES18-03**

Installation	Recessed Mounted
Power	3W
Housing	Die-Casted Aluminum
Housing Color	White/White-Black
Diameter	Φ40mm
Cut-out	31mm
CCT	3000K/4000K/6500K
IP rating	IP20



**DUES19-03**

Installation	Recessed Mounted
Power	3W
Housing	Die-Casted Aluminum
Housing Color	Silver
Diameter	Φ37mm
Cut-out	28mm
CCT	3000K/4000K/6500K
IP rating	IP20



**DUES20-03**

Installation	Recessed Mounted
Power	3W
Housing	Die-Casted Aluminum
Housing Color	Wooden
Diameter	Φ49mm
Cut-out	31mm
CCT	3000K/4000K/6500K
IP rating	IP20



**DUES21-03**

Installation	Recessed Mounted
Power	3W
Housing	Die-Casted Aluminum
Housing Color	Black
Diameter	Φ54mm
Cut-out	42mm
CCT	3000K/4000K/6500K
IP rating	IP20



**DUES22-03**

Installation	Recessed Mounted
Power	3W
Housing	Die-Casted Aluminum
Housing Color	White
Diameter	Φ54mm
Cut-out	41mm
CCT	3000K/4000K/6500K
IP rating	IP20



**DUES23-01**

Installation	Recessed Mounted
Power	1W
Housing	Die-Casted Aluminum
Housing Color	Silver
Diameter	Φ36mm
Cut-out	29mm
CCT	3000K/4000K/6500K
IP rating	IP20

**DUES24-03**

Installation	Surface Mounted
Power	3W
Housing	Die-Casted Aluminum
Housing Color	Silver/Black
Diameter	N/A
Cut-out	N/A
CCT	3000K/4000K/6500K
IP rating	IP20

**DUES25-01**

Installation	Surface Mounted
Power	1W
Housing	Die-Casted Aluminum
Housing Color	Silver
Diameter	N/A
Cut-out	N/A
CCT	3000K/4000K/6500K
IP rating	IP20

**DUES26-01**

Installation	Surface Mounted
Power	1W
Housing	Die-Casted Aluminum
Housing Color	Silver
Diameter	N/A
Cut-out	N/A
CCT	3000K/4000K/6500K
IP rating	IP20

**DUES27-01**

Installation	Recessed Mounted
Power	1W
Housing	Die-Casted Aluminum
Housing Color	Black
Diameter	Φ33mm
Cut-out	20mm
CCT	3000K/4000K/6500K
IP rating	IP20

**DUES28-01**

Installation	Recessed Mounted
Power	1W
Housing	Die-Casted Aluminum
Housing Color	Silver
Diameter	Φ47mm
Cut-out	37mm
CCT	3000K/4000K/6500K
IP rating	IP20

**DUES29-01**

Installation	Recessed Mounted
Power	1W
Housing	Die-Casted Aluminum
Housing Color	White
Diameter	Φ55mm
Cut-out	30mm
CCT	3000K/4000K/6500K
IP rating	IP20

**DUES30-03**

Installation	Recessed Mounted
Power	3W
Housing	Die-Casted Aluminum
Housing Color	White
Diameter	Φ54.5mm
Cut-out	42mm
CCT	3000K/4000K/6500K
IP rating	IP20

**DUES31-03**

Installation	Recessed Mounted
Power	3W
Housing	Die-Casted Aluminum
Housing Color	White
Diameter	Φ52mm
Cut-out	40mm
CCT	3000K/4000K/6500K
IP rating	IP20

**DUES32-03**

Installation	Surface Mounted
Power	3W
Housing	Die-Casted Aluminum
Housing Color	White
Diameter	Φ40mm
Cut-out	N/A
CCT	3000K/4000K/6500K
IP rating	IP20



**DUES33-03**

Installation	Recessed Mounted
Power	3W
Housing	Die-Casted Aluminum
Housing Color	Gold
Diameter	Φ44mm
Cut-out	31mm
CCT	3000K/4000K/6500K
IP rating	IP20



**DUES34-01**

Installation	Recessed Mounted
Power	1W
Housing	Die-Casted Aluminum
Housing Color	White
Diameter	Φ35mm
Cut-out	27mm
CCT	3000K/4000K/6500K
IP rating	IP20



**DUES35-03**

Installation	Recessed Mounted
Power	3W
Housing	Die-Casted Aluminum
Housing Color	Gold
Diameter	Φ44mm
Cut-out	31mm
CCT	3000K/4000K/6500K
IP rating	IP20



**DUES36-03**

Installation	Recessed Mounted
Power	3W
Housing	Die-Casted Aluminum
Housing Color	Gold and Silver
Diameter	Φ50x50mm
Cut-out	37mm
CCT	3000K/4000K/6500K
IP rating	IP20



**DUES37-03**

Installation	Surface Mounted
Power	3W
Housing	Die-Casted Aluminum
Housing Color	White
Diameter	N/A
Cut-out	N/A
CCT	3000K/4000K/6500K
IP rating	IP20



**DUES38-03**

Installation	Recessed Mounted
Power	3W
Housing	Die-Casted Aluminum
Housing Color	White
Diameter	Φ49.5mm
Cut-out	40mm
CCT	3000K/4000K/6500K
IP rating	IP20



**DUES39-03**

Installation	Recessed Mounted
Power	3W
Housing	Die-Casted Aluminum
Housing Color	Silver
Diameter	Φ44mm
Cut-out	31.5mm
CCT	3000K/4000K/6500K
IP rating	IP20





# DOWNLIGHTS



Bello Elite

DOWNLIGHTS



Reflector Color: ● ○ ● ● ● ● ●

#### Description

Bello Elite, LED Downlight, uses COB LED for indoor applications. Housing is made of Die-Cast Aluminum. Luminaire uses high-quality PC reflector.

#### Product Features

- COB LED
- High-quality PC reflector
- Installation: Recessed mounted
- 0-1/10V dimming, DALI dimming, emergency (optional)
- IP Rating: IP20/IP44
- Life Span: 50,000 hours

#### Electrical Specifications

- Rated Supply Voltage: 220-240V
- Frequency: 50/60Hz

#### Applications



Showrooms



Restaurants

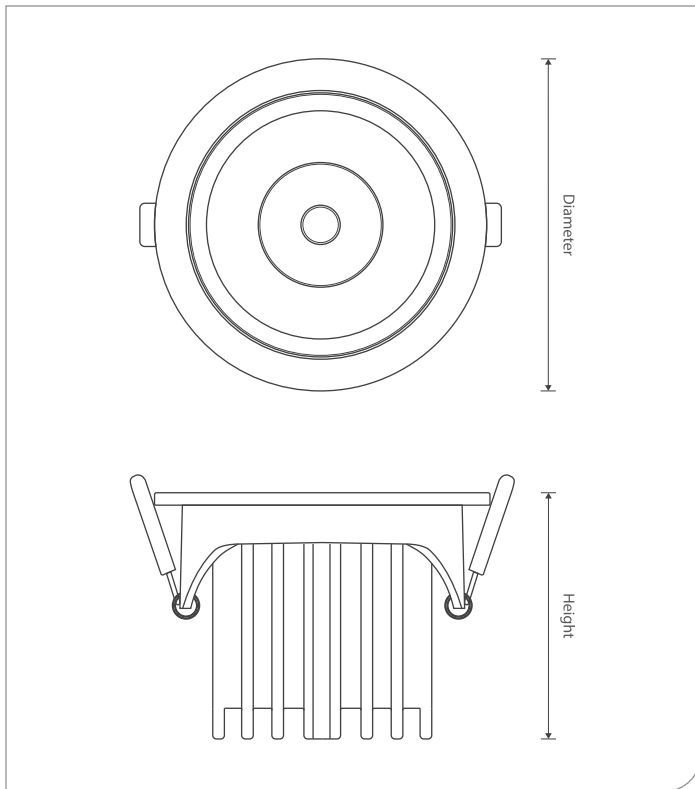


Shopping Malls



Offices

## Technical Drawing

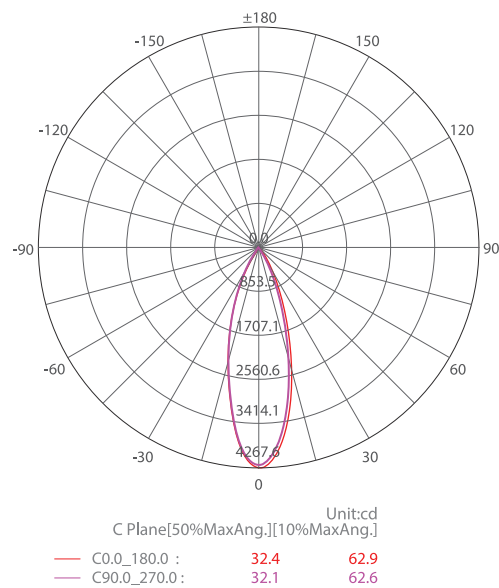


## Dimensions

Model	Diameter	Height
DUBEEL-10	Ø 85mm	59mm
DUBEEL-15	Ø 105mm	71mm
DUBEEL-25	Ø 130mm	86mm
DUBEEL-30	Ø 150mm	93mm

DOWNLIGHTS

## Photometric Diagram



## Technical Specifications

Model	Power [W]	LED type	Luminous flux [lm]	Luminous efficacy [lm/W]	CCT [K]	Beam angle	Cut-out [mm]	CRI [Ra]
DUBEEL-10	10W	COB LED	1000 lm	100 lm/W	3000K	15°	75mm	>80
DUBEEL-15	15W		1500 lm				95mm	
DUBEEL-25	25W		2500 lm				120mm	
DUBEEL-30	30W		3000 lm				140mm	



Bello Tutto

DOWNLIGHTS



Reflector Color: ● ○ ● ● ● ● ● ●

#### Description

Bello Tutto, LED Downlight, uses COB LED for indoor applications. Housing is made of Die-Cast Aluminum. Luminaire uses PC lens.

#### Product Features

- COB LED
- High-quality PC Lens
- Installation: Recessed mounted
- 0-1/10V dimming, DALI dimming, emergency (optional)
- IP Rating: IP20/IP44
- Life Span: 50,000 hours

#### Electrical Specifications

- Rated Supply Voltage: 220-240V
- Frequency: 50/60Hz

#### Applications



Showrooms



Restaurants

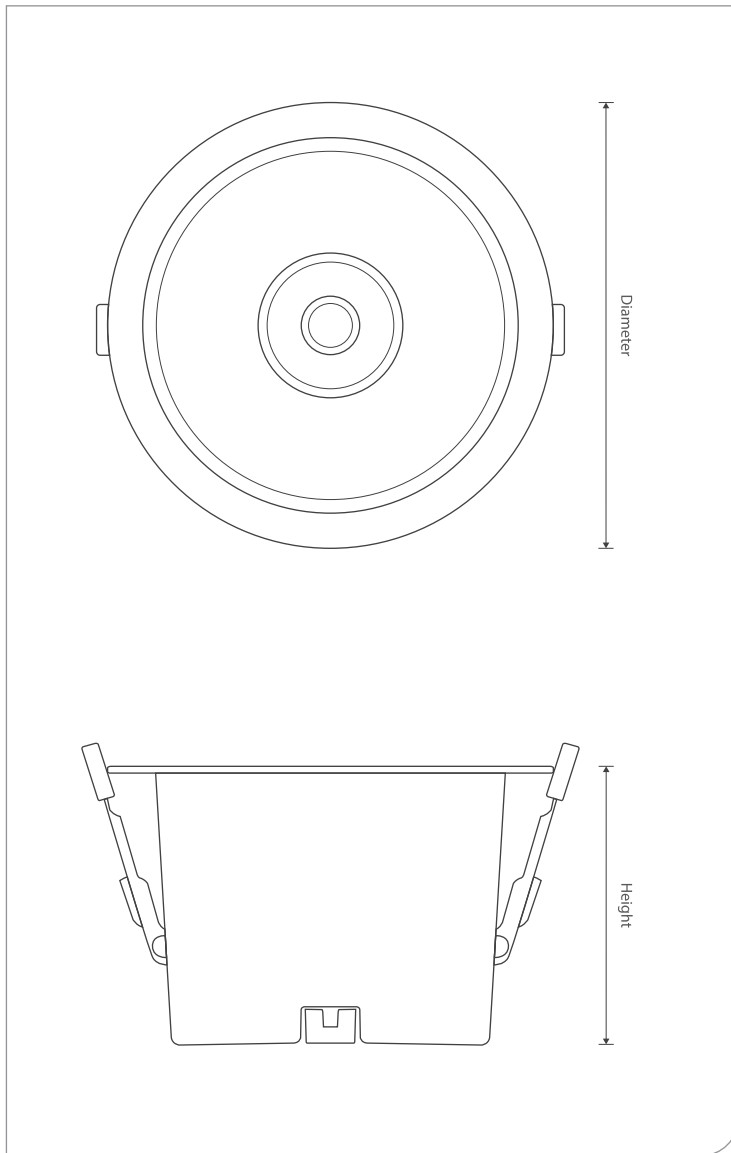


Shopping Malls



Offices

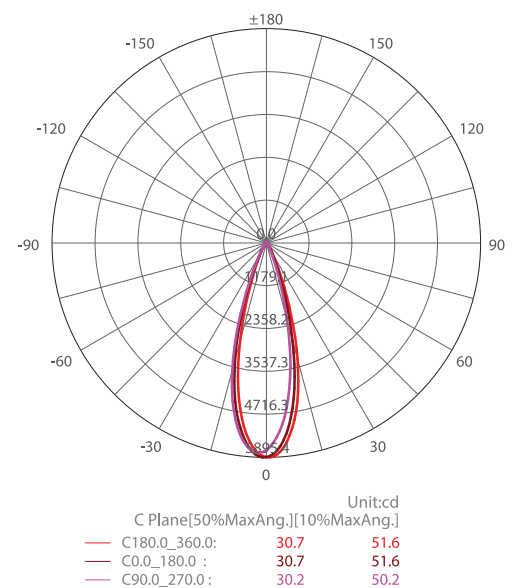
## Technical Drawing



## Dimensions

Model	Diameter	Height
DUBETU-10	Φ 90mm	56mm
DUBETU-15	Φ 105mm	64mm
DUBETU-20	Φ 130mm	72mm
DUBETU-30	Φ 160mm	82mm
DUBETU-40	Φ 180mm	90mm
DUBETU-50	Φ 230mm	100mm

## Photometric Diagram



## Technical Specifications

Model	Power [W]	LED type	Luminous flux [lm]	Luminous efficacy [lm/W]	CCT [K]	Beam angle	Cut-out [mm]	CRI [Ra]
DUBETU-10	10W	COB LED	1000 lm	100 lm/W	3000K 4000K 6500K	13° 24° 38° 60°	75mm	>80
DUBETU-15	15W		1500 lm				95mm	
DUBETU-20	20W		2000 lm				120mm	
DUBETU-30	30W		3000 lm				145mm	
DUBETU-40	40W		4000 lm				160mm	
DUBETU-50	50W		5000 lm				200mm	



Bello P

DOWNLIGHTS



#### Description

Bello P, LED Downlight, uses COB LED for indoor applications. Housing is made of High-Pressure, Die-casted Aluminum with epoxy powder coating. Luminaire uses reflector and glass diffuser.

#### Product Features

- COB LED
- Advance heat dissipation by specially designed heat sinks
- Transparent / Opal glass diffuser
- Installation: Recessed
- 0-1/10V dimming, DALI dimming, emergency (optional)
- IP rating: IP20 / IP44
- Life span: 50,000 hourst

#### Electrical Specifications

- Rated Supply Voltage: 220-240V
- Frequency: 50/60Hz

#### Applications



Offices



Restaurants



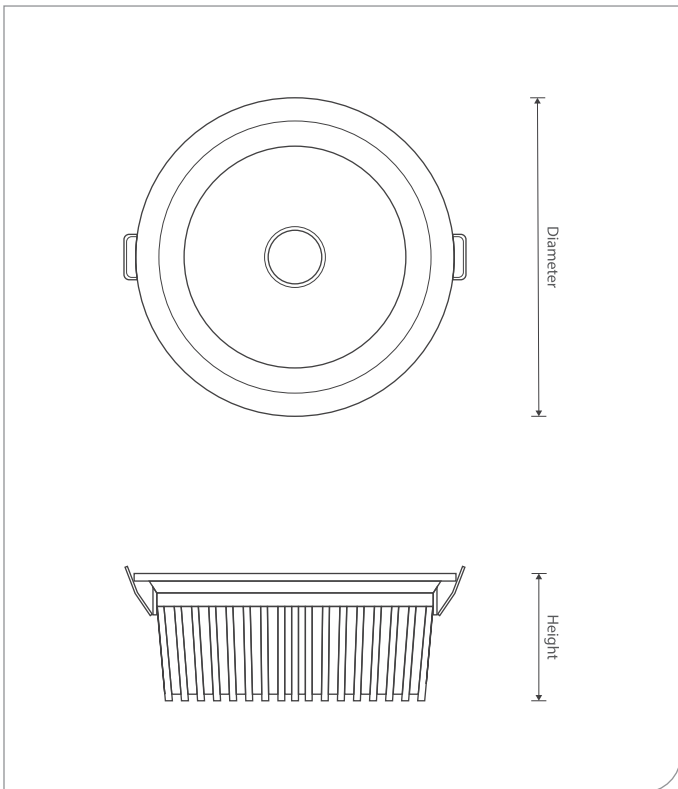
Showrooms



Shopping Malls



### Technical Drawing



### Dimensions

Model	Diameter	Height
DUBP600-09	Φ 115mm	78mm
DUBP601-15	Φ 135mm	80mm
DUBP602-22	Φ 170mm	95mm
DUBP603-30	Φ 195mm	105mm
DUBP604-45	Φ 220mm	130mm

### Technical Specifications

Model	Power [ W ]	LED type	Luminous flux [ lm ]	Luminous efficacy [lm/W]	CCT [ K ]	Beam angle	Cut-out [ mm ]	CRI [ Ra ]
DUBP600-09	9W	COB LED	810 lm	90 lm/W	3000K	24°	95mm	>80
DUBP601-15	15W		1350 lm				120mm	
DUBP602-22	22W		1980 lm				150mm	
DUBP603-30	30W		2700 lm				170mm	
DUBP604-45	45W		4050 lm				200mm	



Bello PG

DOWNLIGHTS



#### Description

Bello PG, LED Grille Light, uses COB LED for indoor applications. Housing is made of Die-Cast Aluminum material. Luminaire uses high-quality PC reflector.

#### Product Features

- COB LED
- Adjustable lamp body with horizontal and vertical movement
- Installation: Recessed Mounted
- 0-1/10V dimming, DALI dimming, emergency (optional)
- IP rating: IP20
- Life-span: 50,000 hours

#### Electrical Specifications

- Rated Supply Voltage: 220-240V
- Frequency: 50/60Hz

#### Applications



Shopping Malls

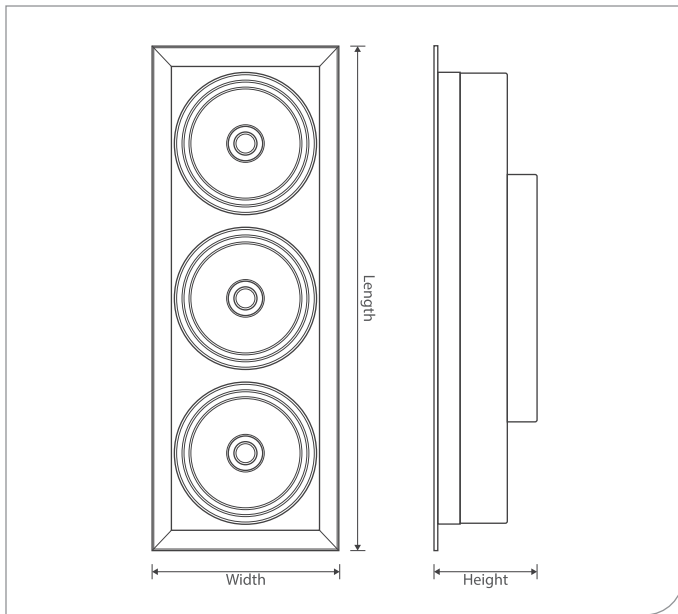


Restaurants



Lobbies

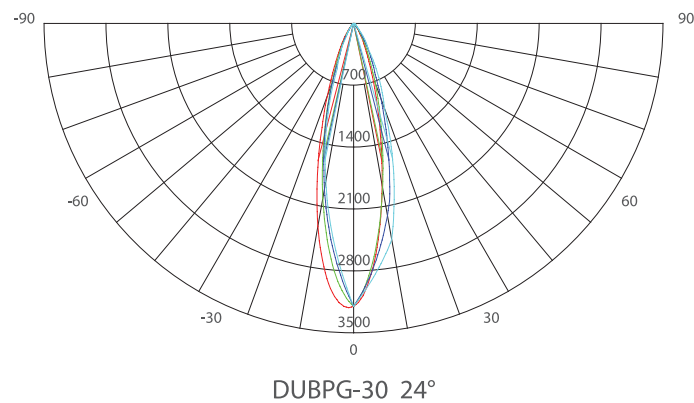
## Technical Drawing



## Dimensions

Model	Length	Width	Height
DUBPG1-10	115mm	115mm	130mm
DUBPG1-20	170mm	170mm	130mm
DUBPG1-30	190mm	190mm	130mm
DUBPG2-20	215mm	115mm	130mm
DUBPG2-40	315mm	170mm	130mm
DUBPG2-60	375mm	190mm	130mm
DUBPG3-30	300mm	115mm	130mm
DUBPG3-60	505mm	190mm	130mm
DUBPG3-90	505mm	190mm	130mm

## Photometric Diagram



## Technical Specifications

Model	Power [W]	LED type	Luminous flux [lm]	Luminous efficacy [lm/W]	CCT [K]	Beam angle	Cut-out [mm]	CRI [Ra]
DUBPG1-10	10W	COB LED	900 lm	90 lm/W	3000K	15°	100 x 100mm	>80
DUBPG1-20	20W		1800 lm				150 x 150mm	
DUBPG1-30	30W		2700 lm				170 x 170mm	
DUBPG2-20	20W		1800 lm				200 x 200mm	
DUBPG2-40	40W		3600 lm				285 x 150mm	
DUBPG2-60	60W		5400 lm				345 x 160mm	
DUBPG3-30	30W		2700 lm				275 x 100mm	
DUBPG3-60	60W		5400 lm				475 x 160mm	
DUBPG3-90	90W		8100 lm				475 x 160mm	



Bello R IP65

DOWNLIGHTS



#### Description

Bello R IP65, LED Downlight, uses COB LED for outdoor applications. Housing is made of Die-Cast Aluminum. Luminaire uses PC lens.

#### Product Features

- COB LED
- High-quality PC Lens
- Installation: Recessed mounted
- 0-1/10V dimming, DALI dimming, emergency (optional)
- IP Rating: IP65
- Life Span: 50,000 hours

#### Electrical Specifications

- Rated Supply Voltage: 220-240V
- Frequency: 50/60Hz

#### Applications



Showrooms



Offices & Restaurants

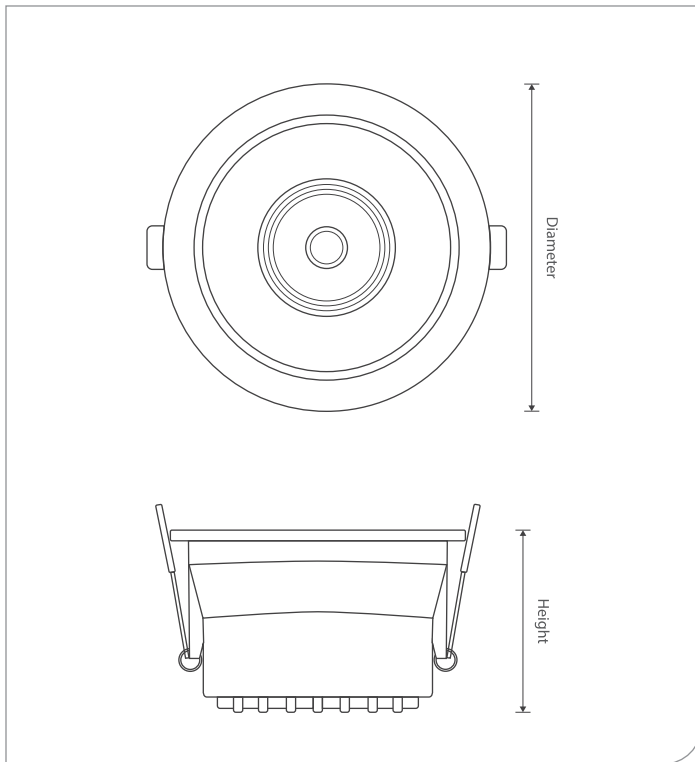


Saunas



Washrooms

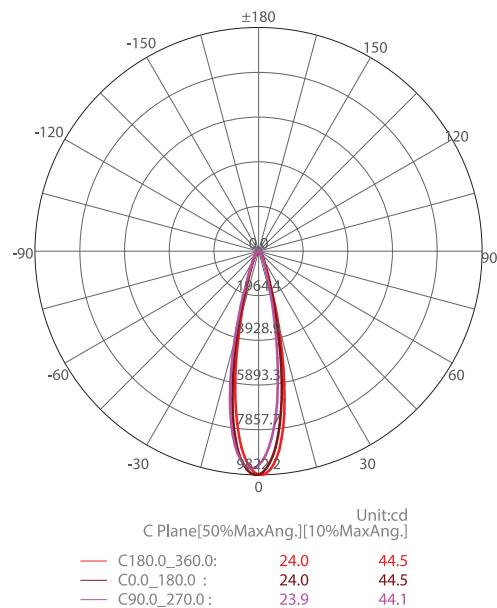
## Technical Drawing



## Dimensions

Model	Diameter	Height
DUBERIP65-10	Φ 85mm	55mm
DUBERIP65-20	Φ 105mm	63mm
DUBERIP65-30	Φ 130mm	77mm

## Photometric Diagram



## Technical Specifications

Model	Power [W]	LED type	Luminous flux [lm]	Luminous efficacy [lm/W]	CCT [K]	Beam angle	Cut-out [mm]	CRI [Ra]
DUBERIP65-10	10W	COB LED	1000 lm	100 lm/W	3000K	20° 40°	75mm	>80
DUBERIP65-20	15W		2000 lm		4000K		95mm	
DUBERIP65-30	30W		3000 lm		6500K		120mm	



Bello S IP65

DOWNLIGHTS



#### Description

Bello S IP65, LED Downlight, uses COB LED for outdoor applications. Housing is made of Die-Cast Aluminum material.

#### Product Features

- COB LED
- Installation: Surface mounted
- 0-1/10V dimming, DALI dimming (optional)
- IP Rating: IP65
- Life Span: 50,000 hours

#### Electrical Specifications

- Rated Supply Voltage: 220-240V
- Frequency: 50/60Hz

#### Applications



Offices



Restaurants



Showrooms



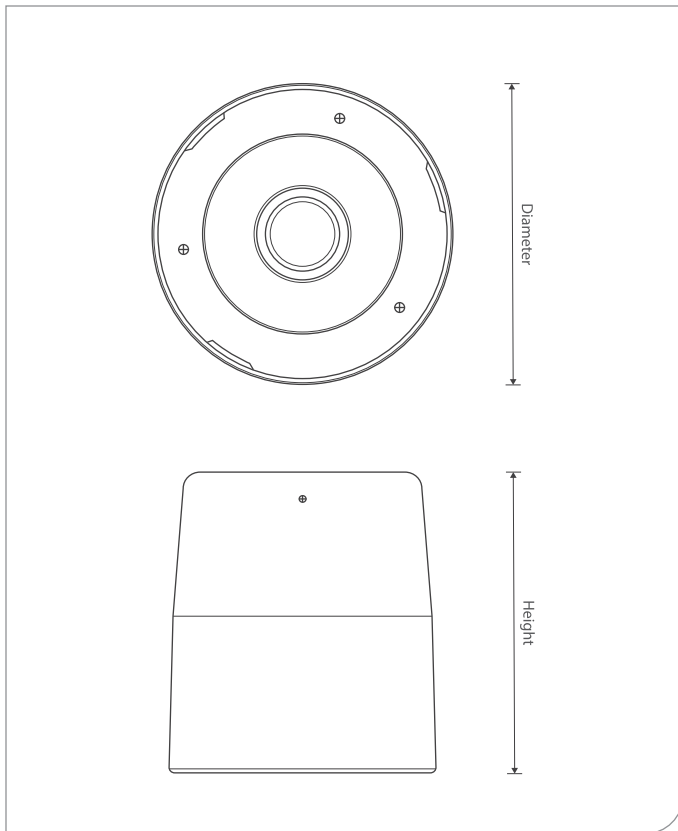
Washrooms



Saunas



## Technical Drawing

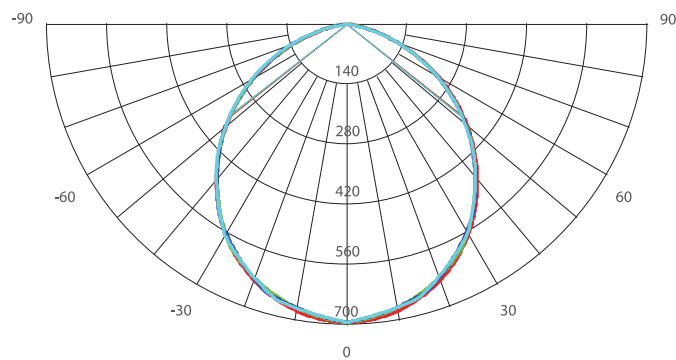


## Dimensions

Model	Diameter	Height
DUBESIP65-20	Φ 125mm	115mm
DUBESIP65-30	Φ 160mm	110mm
DUBESIP65-50	Φ 200mm	110mm
DUBESIP65-60	Φ 240mm	110mm

DOWNLOADS

## Photometric Diagram



## Technical Specifications

Model	Power [W]	LED type	Luminous flux [lm]	Luminous efficacy [lm/W]	CCT [K]	Beam angle	CRI [Ra]
DUBESIP65-20	20W	COB LED	2000 lm	100 lm/W	3000K 4000K 6500K	15°/24°/38°/60°	>80
DUBESIP65-30	30W		3000 lm			24°/40°/60°	
DUBESIP65-50	50W		5000 lm			60°/90°	
DUBESIP65-60	60W		6000 lm			60°/108°	



Bello Wave

DOWNLIGHTS



#### Description

Bello Wave, LED Downlight, uses SMD LEDs and built-in LED driver for indoor applications. Housing is made of polycarbonate material.

#### Product Features

- SMD LEDs
- Installation: Recessed Mounted
- IP Rating: IP20
- Life-span: 50,000 hours

#### Electrical Specifications

- Rated Supply Voltage: 220-240V
- Frequency: 50/60Hz

#### Applications



Offices



Showrooms



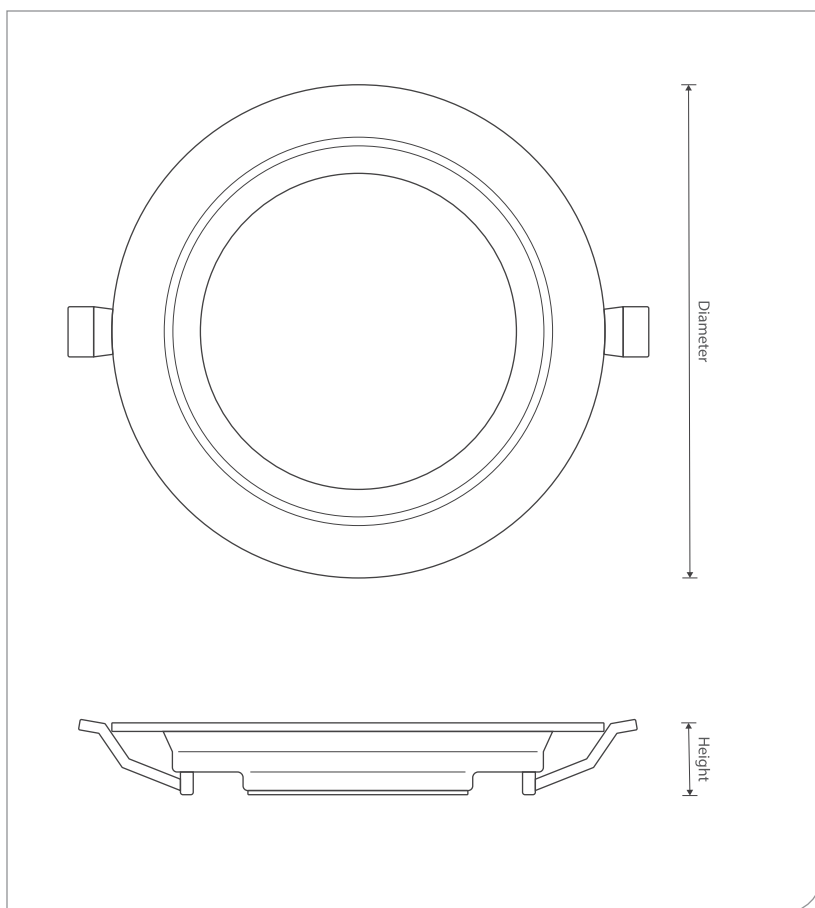
Restaurants



Residential & Commercial Buildings



## Technical Drawing



## Dimensions

Model	Diameter	Height
DUBEWE-06	Φ 110mm	22.5mm
DUBEWE-10	Φ 145mm	22.5mm
DUBEWE-15	Φ 170mm	22.5mm
DUBEWE-20	Φ 220mm	22.5mm

DOWNLOADS

## Technical Specifications

Model	Power [W]	LED type	Luminous flux [lm]	Luminous efficacy [lm/W]	CCT [K]	Beam angle	Cut-out [mm]	CRI [Ra]
DUBEWE-06	6W	SMD LEDs	570 lm	95 lm/W	3000K	180°	98mm	>80
DUBEWE-10	10W		950 lm		4000K		125mm	
DUBEWE-15	15W		1425 lm		6500K		150mm	
DUBEWE-20	20W		1900 lm		205mm			



## Bello V

## DOWNLIGHTS



### Description

Bello V, LED Downlight, uses SMD LEDs for indoor applications. Housing is made of Die-Cast Aluminum material.

### Product Features

- SMD LEDs
- Integrated design with built-in LED driver
- Installation: Recessed Mounted
- IP rating: IP20
- Life-span: 50,000 hours

### Electrical Specifications

- Rated Supply Voltage: 220-240V
- Frequency: 50/60Hz

### Applications



Restaurants



Offices



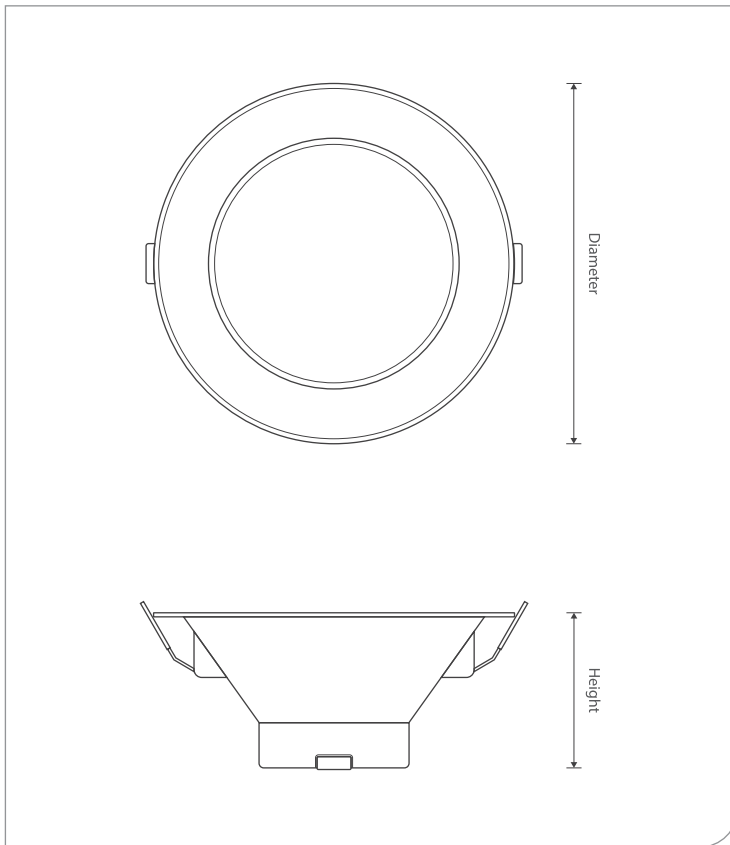
Shopping Malls



Residential Buildings



## Technical Drawing

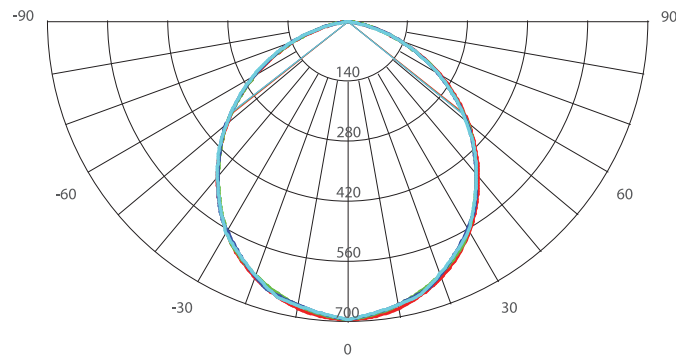


## Dimensions

Model	Diameter	Height
DUBV301-05	Φ 95mm	57.5mm
DUBV302-10	Φ 113mm	65.8mm
DUBV303-15	Φ 145mm	65.8mm
DUBV304-18	Φ 174mm	68.5mm
DUBV305-25	Φ 244mm	84mm

DOWNLIGHTS

## Photometric Diagram



## Technical Specifications

Model	Power [W]	LED type	Luminous flux [lm]	Luminous efficacy [lm/W]	CCT [K]	Beam angle	Cut-out [mm]	CRI [Ra]
DUBV301-05	5W	SMD LEDs	500 lm	100 lm/W	3000K	120°	70mm	>80
DUBV302-10	10W		1000 lm				92mm	
DUBV303-15	15W		1500 lm				130mm	
DUBV304-18	18W		1800 lm				150mm	
DUBV305-25	25W		2500 lm				205mm	



Bello N

DOWNLIGHTS



#### Description

Bello N, LED Downlight, uses SMD LEDs for indoor applications. Housing is made of High-Pressure, Die-casted Aluminum with powder coating.

#### Product Features

- SMD LEDs
- High-quality Opal diffuser
- Installation: Recessed Mounted
- 0-1/10V dimming, DALI dimming, emergency (optional)
- IP rating: IP20
- Life-span: 50,000 hours

#### Electrical Specifications

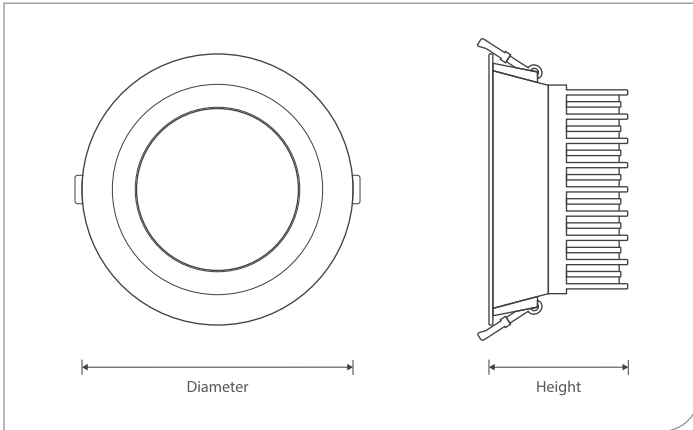
- Rated Supply Voltage: 220-240V
- Frequency: 50/60Hz

#### Applications





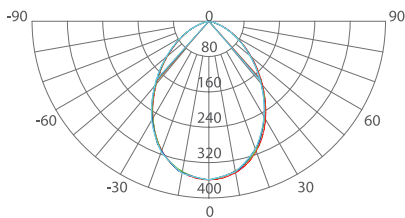
### Technical Drawing



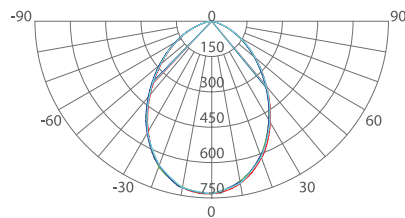
### Dimensions

Model	Diameter	Height
DUBEN-03	Φ 100mm	50mm
DUBEN-06	Φ 118mm	60mm
DUBEN-09	Φ 145mm	72mm
DUBEN-15	Φ 170mm	80mm
DUBEN-20	Φ 192mm	90mm
DUBEN-30	Φ 230mm	100mm

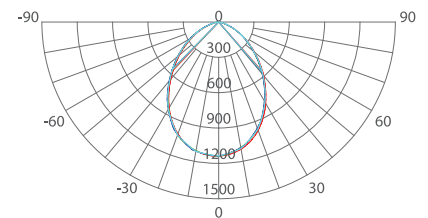
### Photometric Diagrams



DUBEN-09



DUBEN-20



DUBEN-30

### Technical Specifications

Model	Power [ W ]	LED type	Luminous flux [ lm ]	Luminous efficacy [lm/W]	CCT [ K ]	Beam angle	Cut-out [ mm ]	CRI [ Ra ]
DUBEN-03	3W	SMD LEDs	234 lm	78 lm/W	3000K 4000K 6500K	120°	80mm	>80
DUBEN-06	6W		468 lm	78 lm/W			98mm	
DUBEN-09	9W		720 lm	80 lm/W			125mm	
DUBEN-15	15W		1200 lm	80 lm/W			145mm	
DUBEN-20	20W		1660 lm	83 lm/W			165mm	
DUBEN-30	30W		2490 lm	83 lm/W			200mm	



Bello D

DOWNLIGHTS



#### Description

Bello D, LED Downlight, uses SMD LEDs for indoor applications. Housing is made of High-Pressure Aluminum, Die-casted ring; powder painted.

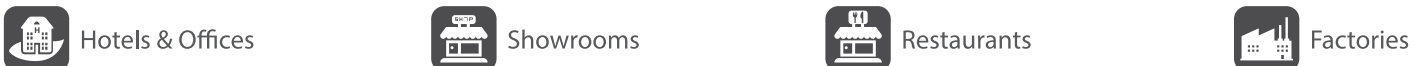
#### Product Features

- SMD LEDs
- High-quality PC opal diffuser
- Uniform light output
- Installation: Recessed Mounted
- 0-1/10V dimming, DALI dimming, emergency (optional)
- IP rating: IP20
- Life-span: 50,000 hours

#### Electrical Specifications

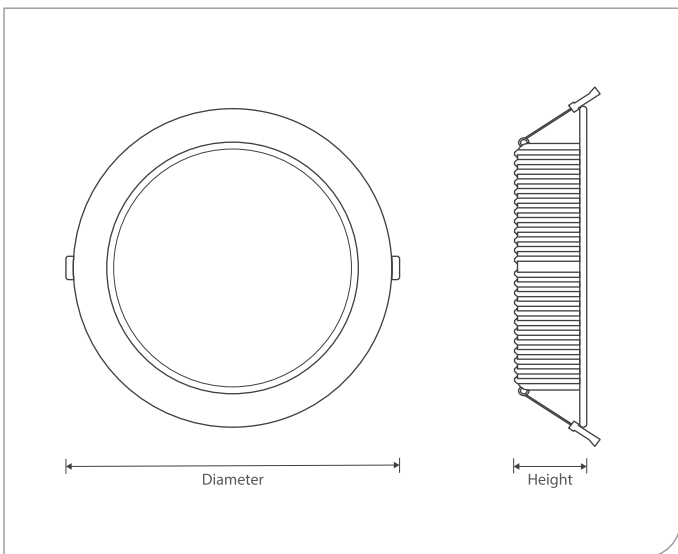
- Rated Supply Voltage: 220-240V
- Frequency: 50/60Hz

#### Applications





### Technical Drawing



### Dimensions

Model	Diameter	Height
DUBED-03	Φ 70mm	29mm
DUBED-05	Φ 98mm	29mm
DUBED-07	Φ 110mm	29mm
DUBED-09	Φ 120mm	29mm
DUBED-12	Φ 145mm	29mm
DUBED-15	Φ 170mm	29mm
DUBED-18	Φ 180mm	29mm
DUBED-24	Φ 230mm	29mm

### Technical Specifications

Model	Power [W]	LED type	Luminous flux [lm]	Luminous efficacy [lm/W]	CCT [K]	Beam angle	Cut-out [mm]	CRI [Ra]
DUBED-03	3W	SMD LEDs	219 lm	73 lm/W	3000K 4000K 6500K	120°	50mm	>80
DUBED-05	5W		370 lm	74 lm/W			70mm	
DUBED-07	7W		525 lm	75 lm/W			80mm	
DUBED-09	9W		693 lm	77 lm/W			90mm	
DUBED-12	12W		948 lm	79 lm/W			110mm	
DUBED-15	15W		1215 lm	81 lm/W			135mm	
DUBED-18	18W		1494 lm	83 lm/W			145mm	
DUBED-24	24W		2040 lm	85 lm/W			190mm	



Bello LP

DOWNLIGHTS



#### Description

Bello LP, LED Panel Downlight, uses SMD LEDs for indoor applications. Housing is made of high-pressure aluminum, Die-Casted ring and iron back cover; both powder painted.

#### Product Features

- SMD LEDs
- Laser printed MITSUBISHI light guide plate
- High-quality PS diffuser
- Uniform light output
- Installation: Recessed Mounted
- 0-1/10V dimming, DALI dimming, emergency (optional)

• IP rating: IP20 / IP44

• Life-span: 50,000 hours

#### Electrical Specifications

• Rated Supply Voltage: 220-240V

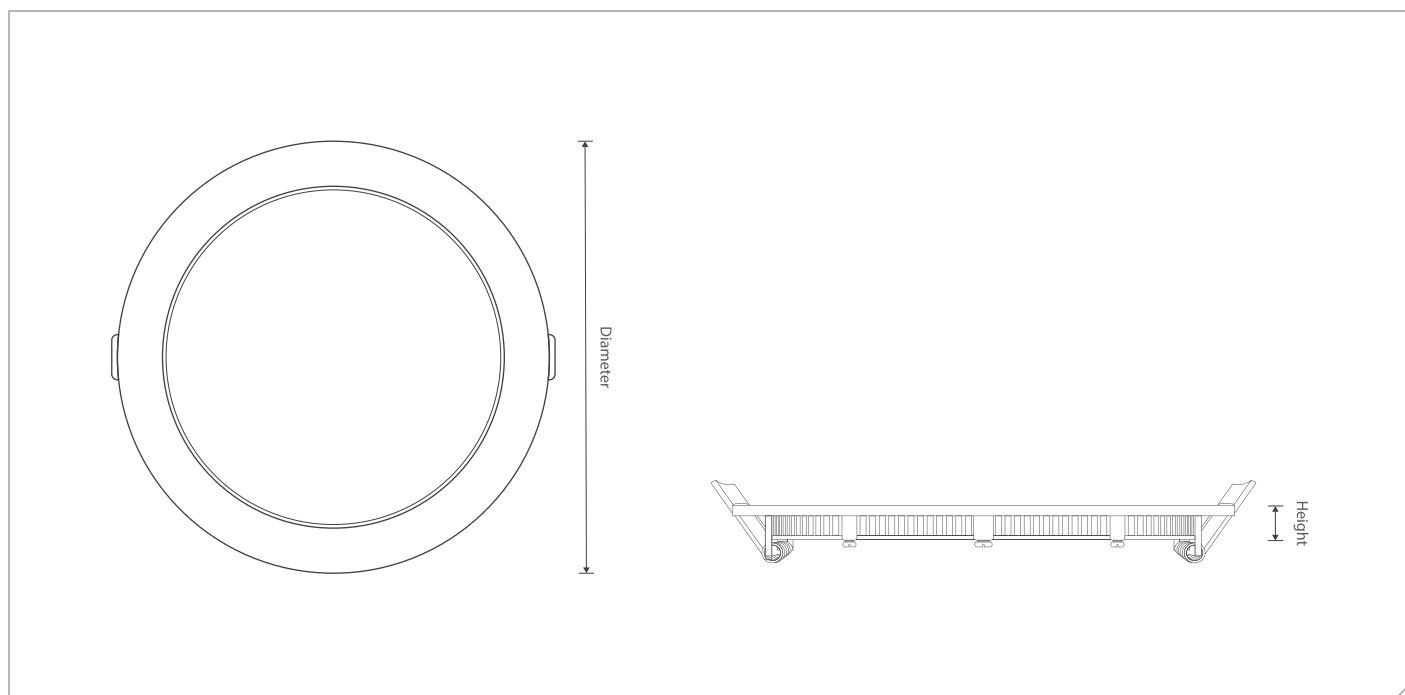
• Frequency: 50/60Hz



#### Applications



## Technical Drawing



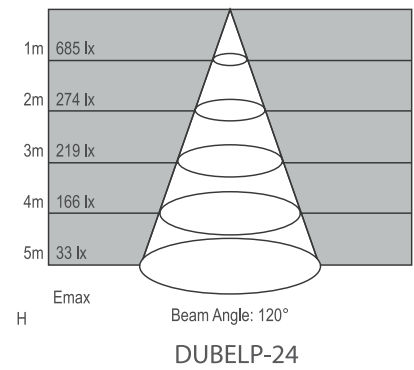
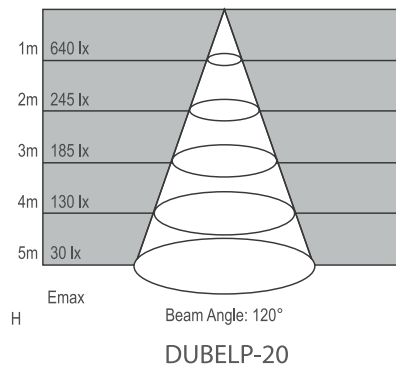
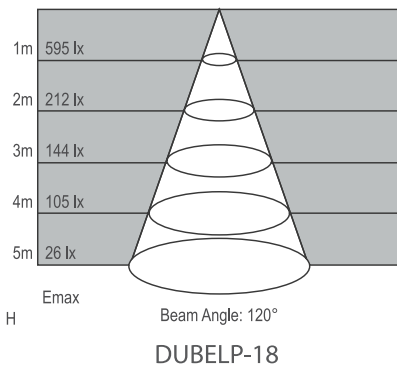
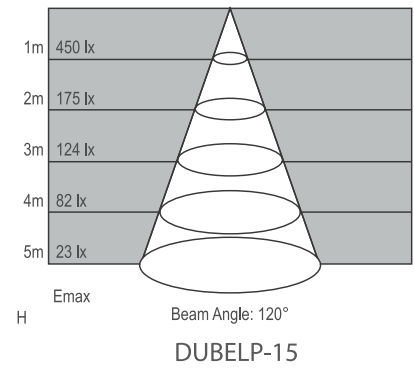
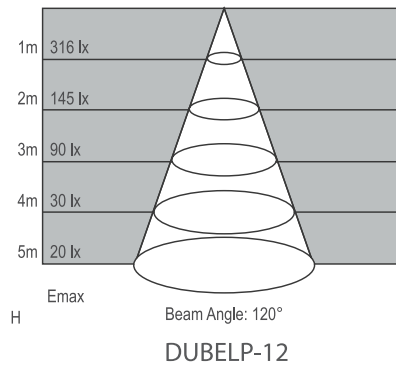
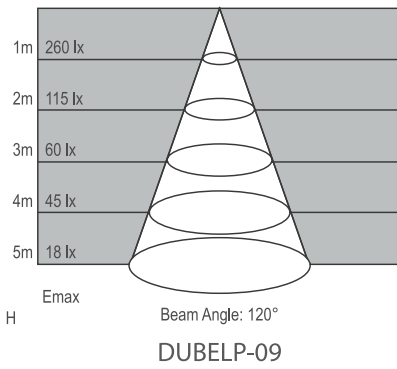
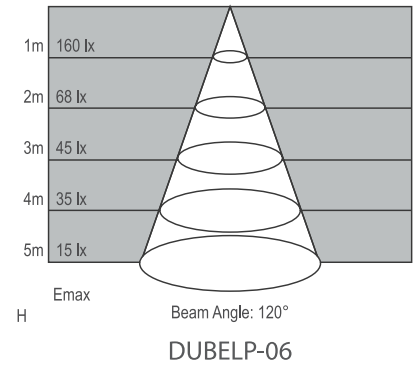
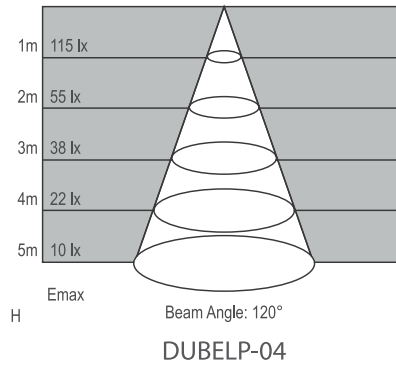
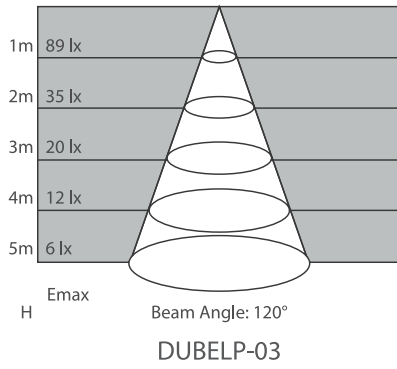
## Dimensions

Model	Diameter	Height
DUBELP-03	Φ 85mm	14mm
DUBELP-06	Φ 120mm	14mm
DUBELP-09	Φ 150mm	14mm
DUBELP-12	Φ 170mm	14mm
DUBELP-15	Φ 192mm	14mm
DUBELP-18	Φ 225mm	14mm
DUBELP-24	Φ 300mm	14mm

## Technical Specifications

Model	Power [ W ]	LED type	Luminous flux [ lm ]	Luminous efficacy [lm/W]	CCT [ K ]	Beam angle	Cut-out [ mm ]	CRI [ Ra ]
DUBELP-03	3W	SMD LEDs	230 lm	77 lm/W	3000K 4000K 6500K	120°	75mm	>80
DUBELP-06	6W		490 lm	82 lm/W			110mm	
DUBELP-09	9W		745 lm	83 lm/W			140mm	
DUBELP-12	12W		1020 lm	85 lm/W			160mm	
DUBELP-15	15W		1275 lm	85 lm/W			180mm	
DUBELP-18	18W		1585 lm	88 lm/W			210mm	
DUBELP-24	24W		2110 lm	88 lm/W			285mm	

## Light Distribution Curves

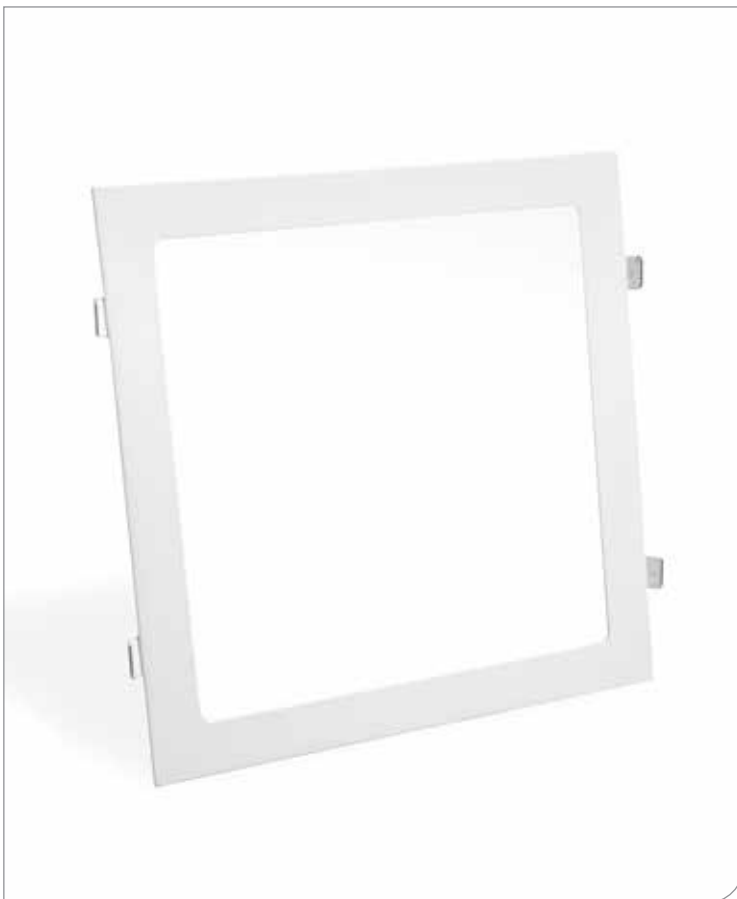






Bello LPQ

DOWNLIGHTS



#### Description

Bello LPQ, LED Square Panel Downlight, uses SMD LEDs for indoor applications. Housing is made of High-Pressure Aluminum, Die-Casted with epoxy coating. Luminaire uses opal PC diffusers.

#### Product Features

- SMD LEDs
- Laser printed MITSUBISHI light guide plate
- Installation: Recessed Mounted
- 0-1/10V dimming, DALI dimming, emergency (optional)
- IP rating: IP20/IP44
- Life-span: 50,000 hours

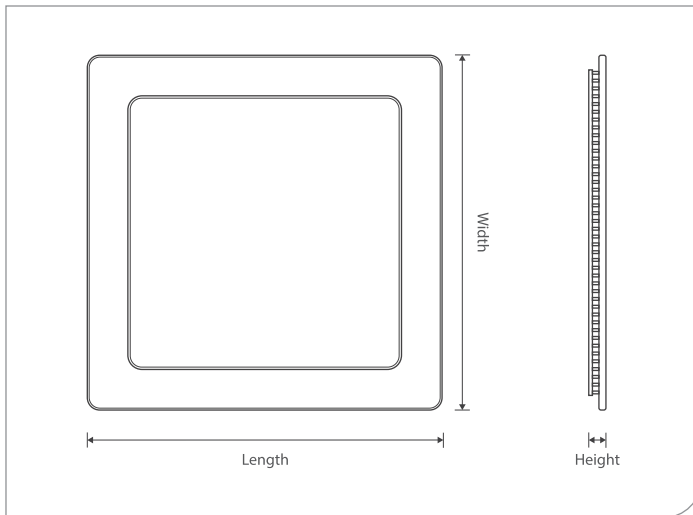
#### Electrical Specifications

- Rated Supply Voltage: 220-240V
- Frequency: 50/60Hz

#### Applications



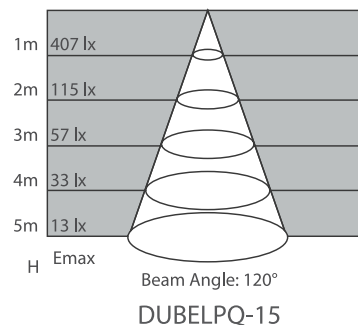
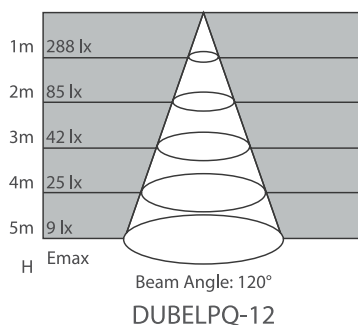
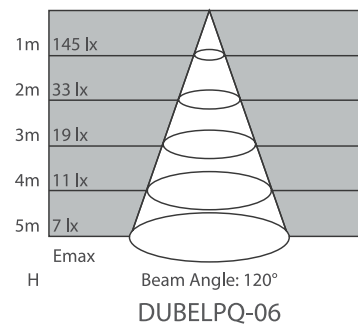
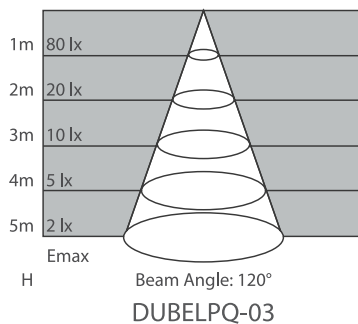
## Technical Drawing



## Dimensions

Model	Length	Width	Height
DUBELPQ-03	85mm	85mm	12mm
DUBELPQ-06	120mm	120mm	12mm
DUBELPQ-09	150mm	150mm	12mm
DUBELPQ-12	170mm	170mm	12mm
DUBELPQ-15	190mm	190mm	12mm
DUBELPQ-18	225mm	225mm	12mm
DUBELPQ-24	300mm	300mm	12mm

## Light Distribution Curves



## Technical Specifications

Model	Power [W]	LED type	Luminous flux [lm]	Luminous efficacy [lm/W]	CCT [K]	Beam angle	Cut-out [mm]	CRI [Ra]
DUBELPQ-03	3W	SMD LEDs	230 lm	77 lm/W	3000K 4000K 6500K	120°	70 x 70mm	>80
DUBELPQ-06	6W		490 lm	82 lm/W			105 x 105mm	
DUBELPQ-09	9W		745 lm	83 lm/W			130 x 130mm	
DUBELPQ-12	12W		1020 lm	85 lm/W			160 x 160mm	
DUBELPQ-15	15W		1275 lm	85 lm/W			175 x 175mm	
DUBELPQ-18	18W		1585 lm	88 lm/W			210 x 210mm	
DUBELPQ-24	24W		2110 lm	88 lm/W			280 x 280mm	



Bello LPS

DOWNLIGHTS



#### Description

Bello LPS, LED Panel Downlight, uses high lumen SMD LEDs for indoor applications. Housing is made of High-Pressure, Die-cast Aluminum, coated with epoxy powder. Luminaire uses PS diffuser with high transparency rate.

#### Product Features

- SMD LEDs
- PMMA LGP provides uniform light distribution
- Available with Motion Sensor
- Slim and stylish design
- 2 in 1 (Surface / Recessed) Slim Downlight
- Motion Sensor (optional)
- Installation: Surface / Recessed Mounted
- IP rating: IP20 / IP44
- Life-span: 50,000 hours

#### Electrical Specifications

- Rated Supply Voltage: 220-240V
- Frequency: 50/60Hz

#### Applications



Offices



Restaurants



Hospitals

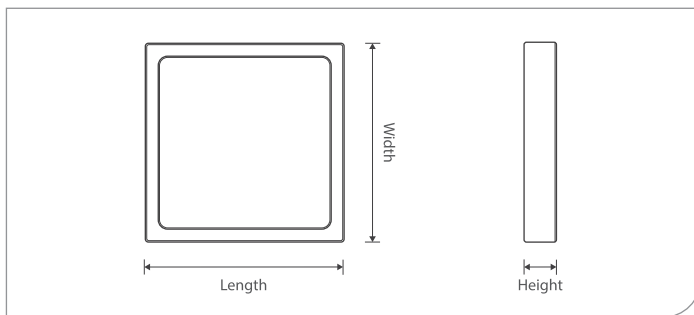
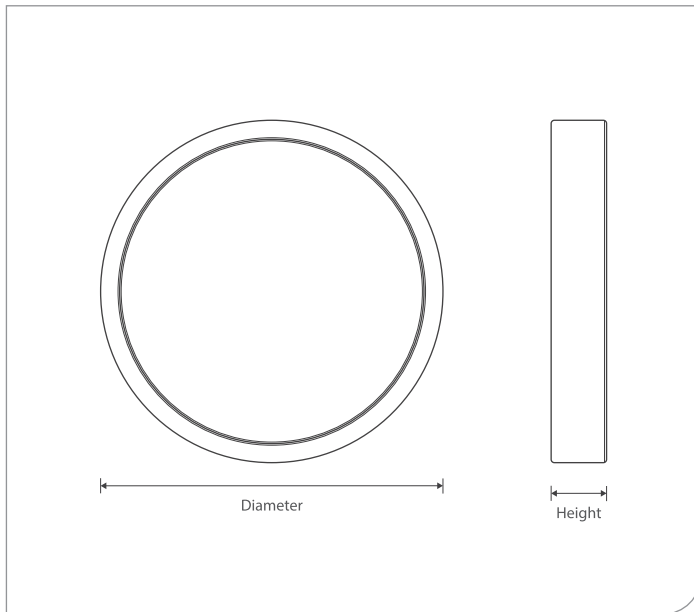


Residential Buildings



Screwless backplate

## Technical Drawings



## Dimensions

Model	Diameter	Height
DUBELPS-06	Φ 92mm	24mm
DUBELPS-12	Φ 142mm	24mm
DUBELPS-18	Φ 192mm	24mm
DUBELPS-24	Φ 270mm	24mm
DUBELPS2-12W-M	Φ 225mm	32mm
DUBELPS2-18W-M	Φ 225mm	32mm
DUBELPS2-20W-M	Φ 225mm	32mm
DUBELPS2-24W-M	Φ 330mm	32mm
DUBELPS2-30W-M	Φ 330mm	32mm

Model	Length	Width	Height
DUBELPSQ-06	92mm	92mm	24mm
DUBELPSQ-12	142mm	142mm	24mm
DUBELPSQ-18	192mm	192mm	24mm
DUBELPSQ-24	270mm	270mm	24mm

## Technical Specifications

Model	Power [W]	LED type	Luminous flux [lm]	Luminous efficacy [lm/W]	CCT [K]	Beam angle	CRI [Ra]
DUBELPS-06	6W	SMD LEDs	570 lm	95 lm/W	3000K 4000K 6500K	120°	>80
DUBELPS-12	12W		1140 lm				
DUBELPS-18	18W		1710 lm				
DUBELPS-24	24W		2280 lm				
DUBELPSQ-06	6W		570 lm	85 lm/W			
DUBELPSQ-12	12W		1140 lm				
DUBELPSQ-18	18W		1710 lm				
DUBELPSQ-24	24W		2280 lm				
DUBELPS2-12W-M	12W		1020 lm				
DUBELPS2-18W-M	18W		1530 lm				
DUBELPS2-20W-M	20W		1700 lm				
DUBELPS2-24W-M	24W		2040 lm				
DUBELPS2-30W-M	30W	2550 lm					



Bello W

DOWNLIGHTS



#### Description

Bello W, LED Downlight, uses SMD LEDs for indoor and outdoor applications. Housing is made of Die-casted Aluminum.

#### Product Features

- SMD LEDs
- High-quality Opal diffuser
- Installation: Recessed Mounted
- 0-1/10V dimming, DALI dimming (optional)
- IP rating: IP65
- Life-span: 50,000 hours

#### Electrical Specifications

- Rated Supply Voltage: 220-240V
- Frequency: 50/60Hz

#### Applications



Saunas

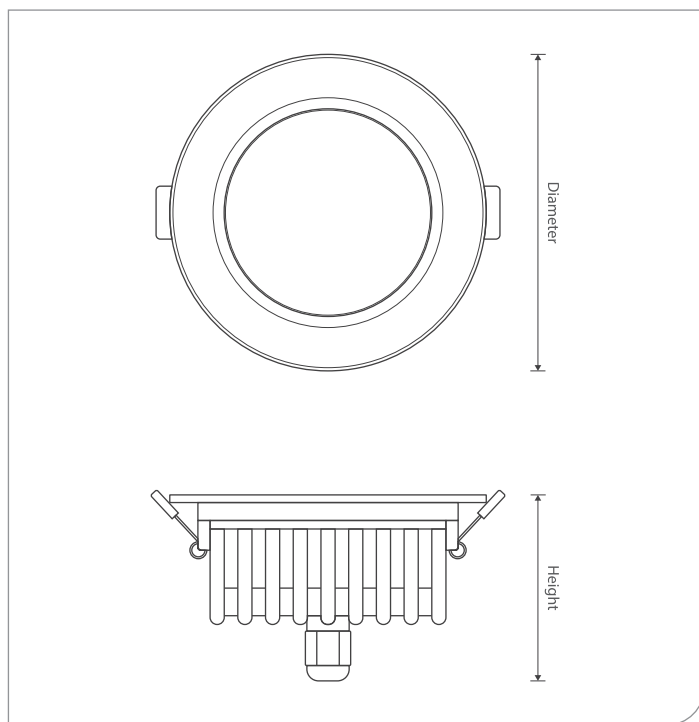


Washrooms



Restaurants

## Technical Drawing



## Dimensions

Model	Diameter	Height
DUBEW-07	Φ 90mm	67mm
DUBEW-12	Φ 108mm	72mm



## Technical Specifications

Model	Power [W]	LED type	Luminous flux [lm]	Luminous efficacy [lm/W]	CCT [K]	Beam angle	Cut-out [mm]	CRI [Ra]
DUBEW-07	7W	SMD LED	630 lm	90 lm/W	3000K	90°	78mm	>80
DUBEW-12	12W		1080 lm		4000K		95mm	
					6500K			



# TRACKLIGHTS



Estilo Zoom

TRACKLIGHTS



#### Description

Estilo Zoom, LED Tracklight, uses COB LED for indoor applications. Housing is made of Die-Cast Aluminum. Luminaire uses PC type lens.

#### Product Features

- COB LED
- Built-in LED Driver
- High quality PC lens
- 0-1/10V dimming, DALI dimming (optional)
- IP Rating: IP20
- Life Span: 50,000 hours

#### Electrical Specifications

- Rated Supply Voltage: 220-240V
- Frequency: 50/60Hz

#### Applications



Offices



Restaurants



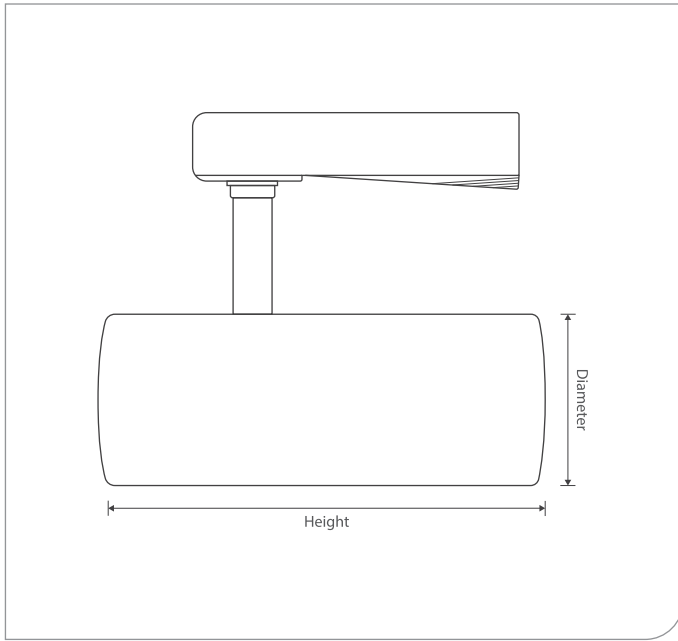
Shopping Malls



Showrooms



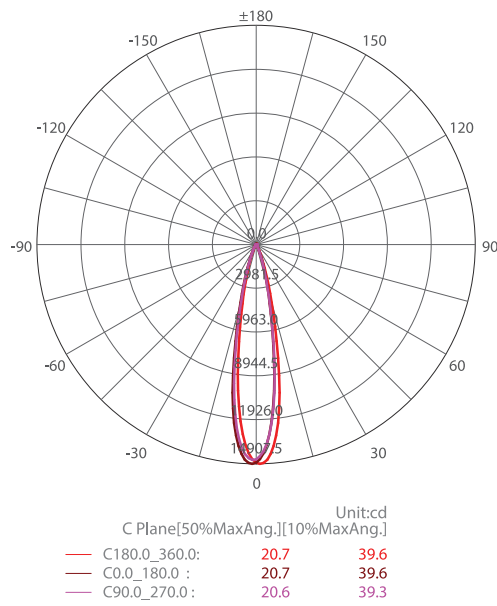
## Technical Drawing



## Dimensions

Model	Diameter	Height
DUESZO-15	Φ50mm	130mm
DUESZO-20	Φ64mm	150mm
DUESZO-30	Φ78mm	185mm

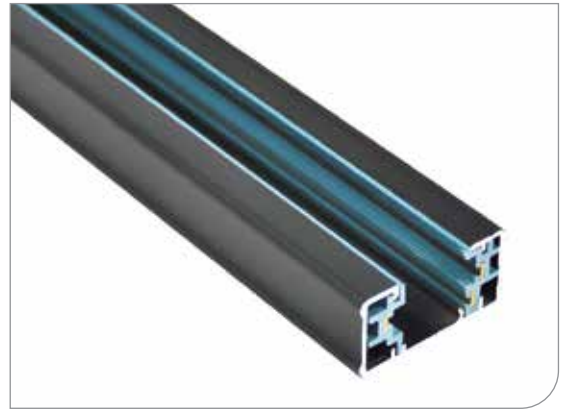
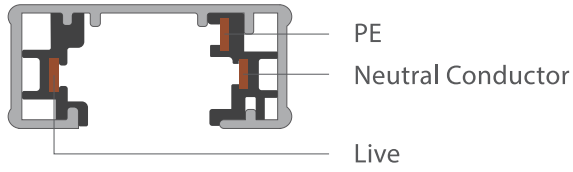
## Photometric Diagram



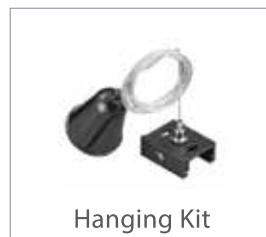
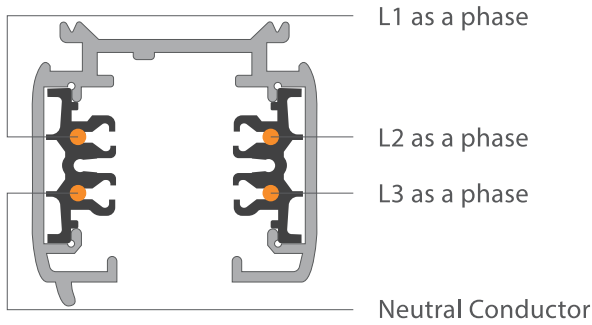
## Technical Specifications

Model	Power [ W ]	LED type	Luminous flux [ lm ]	Luminous efficacy [lm/W]	CCT [ K ]	Beam angle	CRI [ Ra ]
DUESZO-15	15W	COB LED	1500 lm	100 lm/W	3000K	24°	>80
DUESZO-20	20W		2000 lm		4000K	15°	
DUESZO-30	30W		3000 lm		6500K	24° 46°	

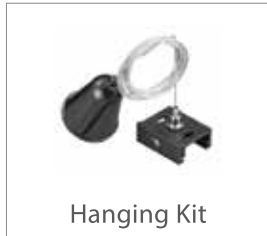
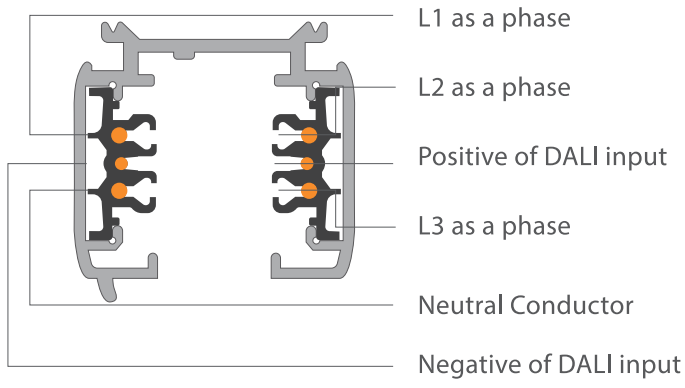
**DUTW/B-03 (3 Line Track)**



**DUTW/B-04 (4 Line Track)**



**DUTW/B-06 (6 Line DALI Track)**





Estilo ET

TRACKLIGHTS



#### Description

Estilo ET, LED Tracklights, uses COB LED for indoor applications. Housing is made of Die-Cast Aluminum; coated with epoxy powder. Luminaire uses high-quality PC reflector.

#### Product Features

- COB LED
- Glass diffuser
- The lamp body can be rotated 360° horizontally and 90° vertically
- Different beam angle options are available
- 0-1/10V dimming, DALI dimming (optional)
- IP rating: IP20
- Lifespan: 50,000 hours

#### Electrical Specifications

- Rated Supply Voltage: 220-240V
- Frequency: 50/60Hz

#### Applications



Restaurants & Cafes



Retail Shops



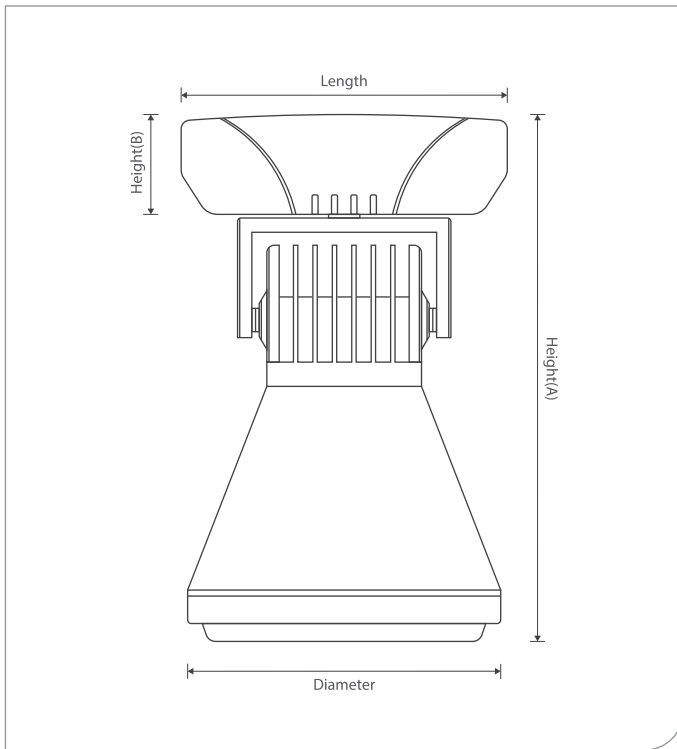
Shopping Malls



Art Galleries

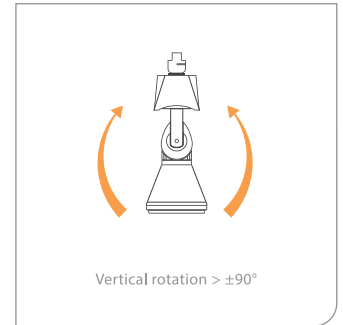
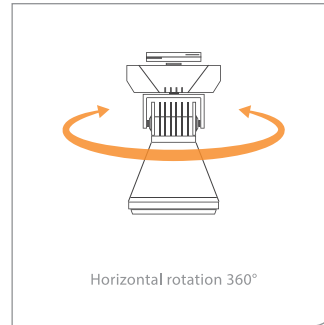


## Technical Drawing

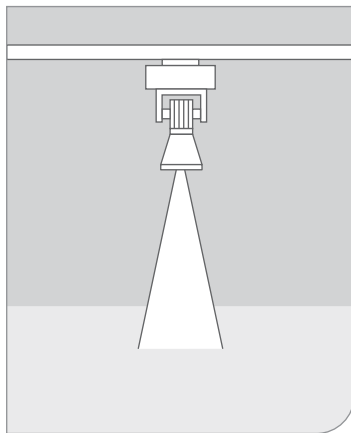


## Dimensions

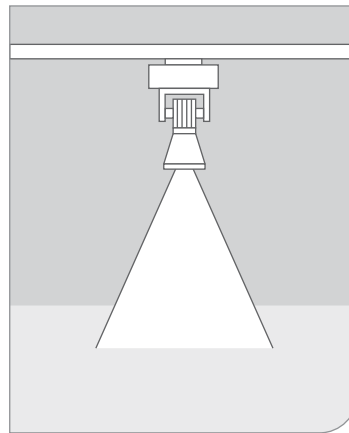
Model	Diameter	Height(A)	Height(B)	Length
DUESET-35	Φ115mm	255mm	50mm	145mm
DUESET-50	Φ135mm	270mm	50mm	165mm



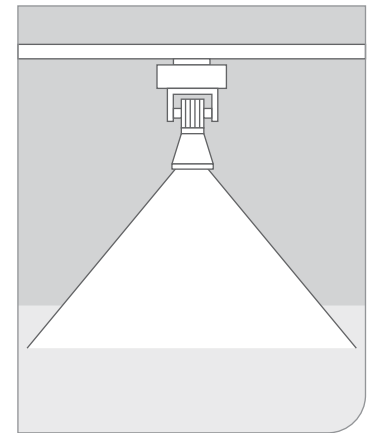
## Beam Angle Options



12°



24°

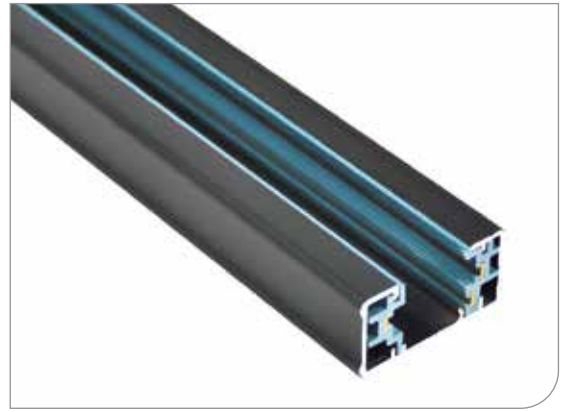
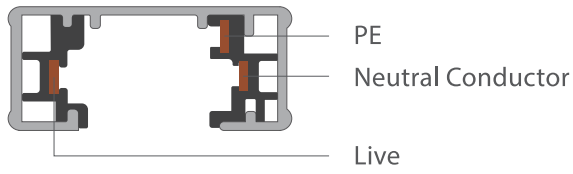


40°

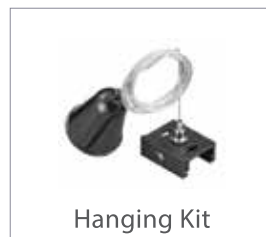
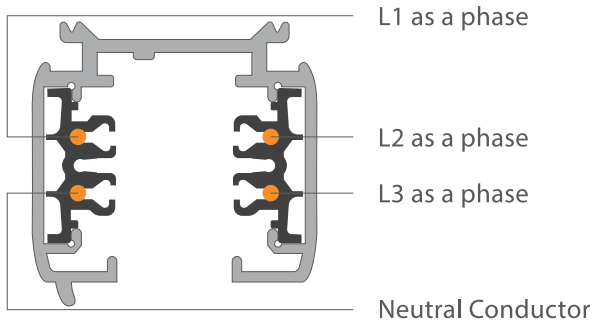
## Technical Specifications

Model	Power [W]	LED type	Luminous flux [lm]	Luminous efficacy [lm/W]	CCT [K]	Beam angle	CRI [Ra]
DUESET-35	35W	COB LED	3255 lm	93 lm/W	3000K	12°	>80
DUESET-50	50W		4750 lm	95 lm/W	4000K	24°	
					6500K	40°	

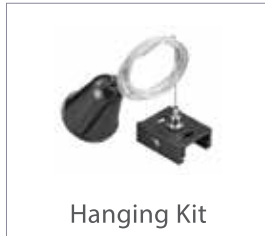
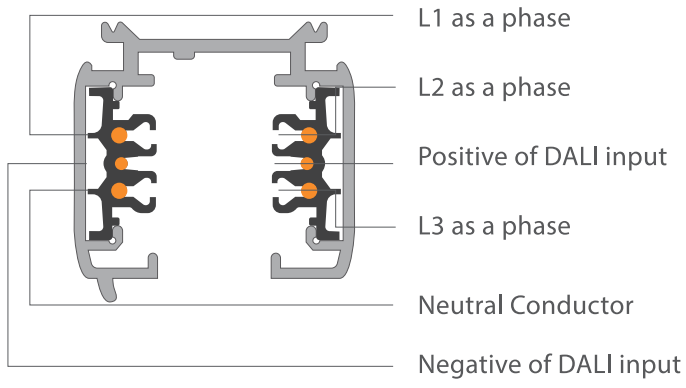
**DUTW/B-03 (3 Line Track)**



**DUTW/B-04 (4 Line Track)**



**DUTW/B-06 (6 Line DALI Track)**





# PANEL LIGHTS



Lavela® LS

PANEL LIGHTS



#### Description

Lavela LS, LED Panel, uses SMD LEDs for indoor applications. Housing is made of Die-Cast Aluminum coated with powder paint. Luminaire uses MITSUBISHI laser printed LGP and high-quality paper reflector, providing uniform light output.

#### Product Features

- SMD LEDs
- High-quality diffuser with light transmittance > 92%
- MITSUBISHI LGP with special laser printing to achieve maximum light output
- Installation: Recessed/Pendant/Surface Mounted
- 0-1/10V dimming, DALI dimming, emergency (optional)
- IP rating: IP20/IP44/IP54
- Life-span: 50,000 hours

#### Electrical Specifications

- Rated Supply Voltage: 220-240V
- Frequency: 50/60Hz

#### Applications



Offices



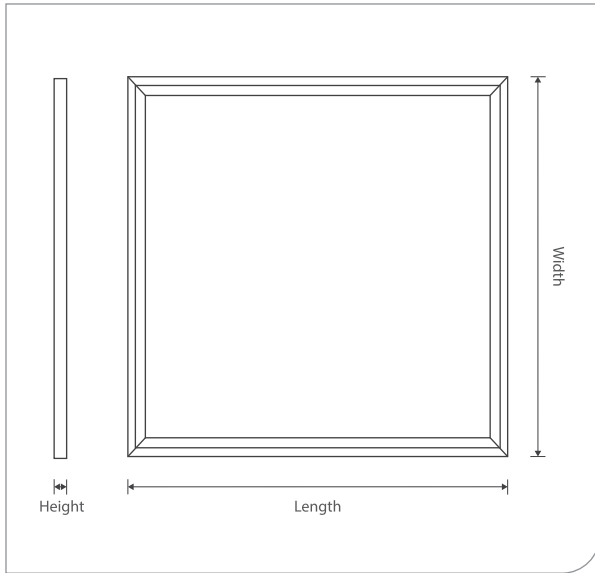
Airports



Hospitals

Ring Color: ○ ●

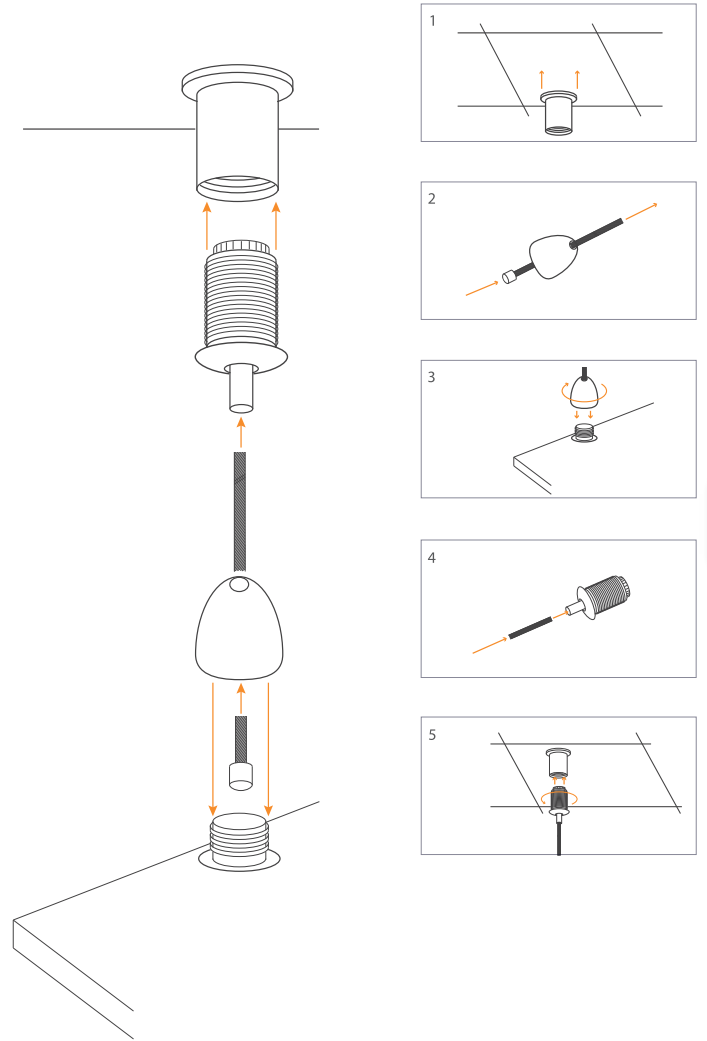
## Technical Drawing



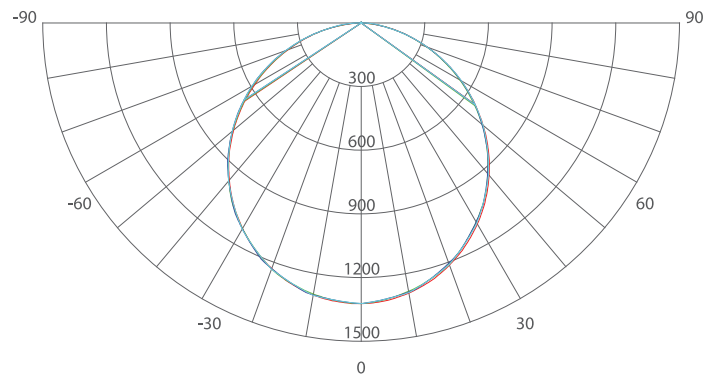
## Dimensions

Model	Length	Width	Height
DULVLS-42	595mm	595mm	9mm
DULVLS312-42	1195mm	295mm	10.4mm

## Pendant Installation

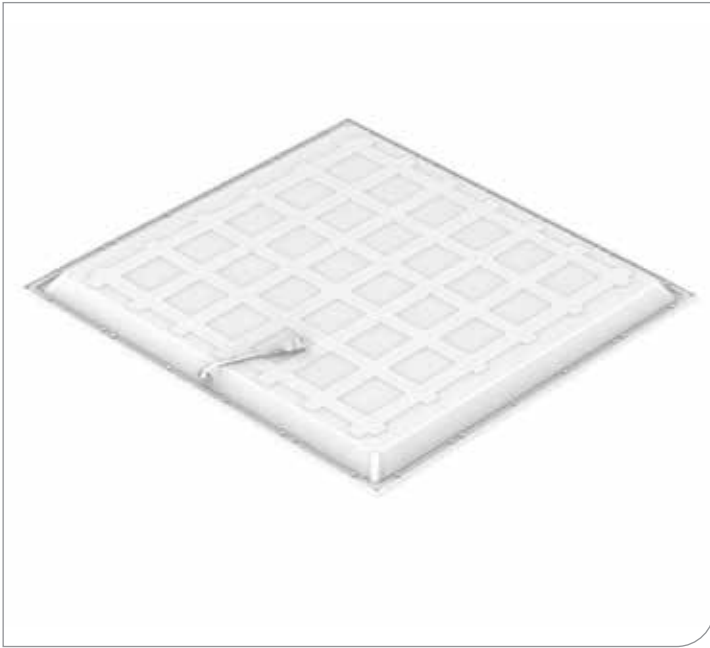


## Photometric Diagram



## Technical Specifications

Model	Power [W]	LED type	Luminous flux [lm]	Luminous efficacy [lm/W]	CCT [K]	Beam angle	CRI [Ra]
DULVLS-42	42W	SMD LEDs	4200 lm	100 lm/W	3000K	120°	>80
DULVLS312-42					4000K 6500K		



### Description

Lavela LS, LED Backlit Panel, uses SMD LEDs for indoor applications. Housing is made of aluminum. Luminaire uses high-quality PS diffuser.

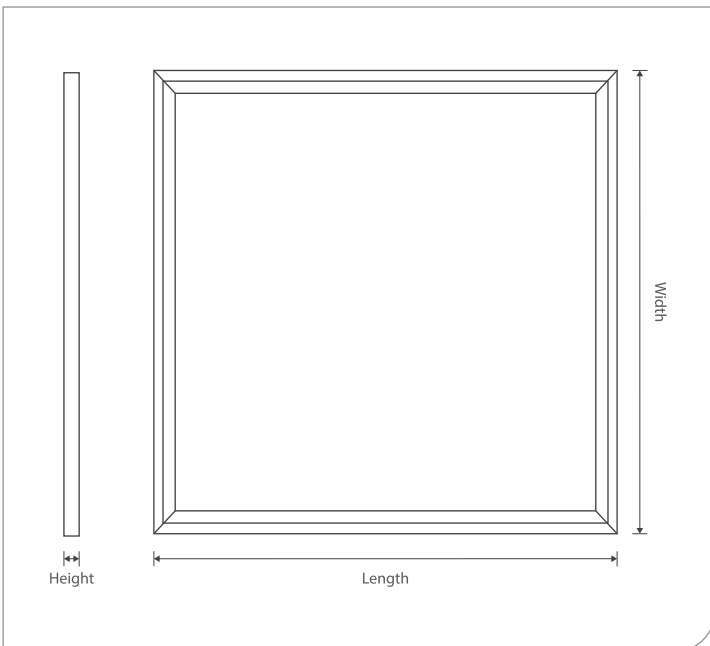
### Product Features

- SMD LEDs
- High-quality diffuser with light transmittance > 92%
- Installation: Recessed/Pendant/Surface Mounted
- 0-1/10V dimming, DALI dimming, emergency (optional)
- IP rating: IP20/IP40
- Life-span: 50,000 hours



### Electrical Specifications

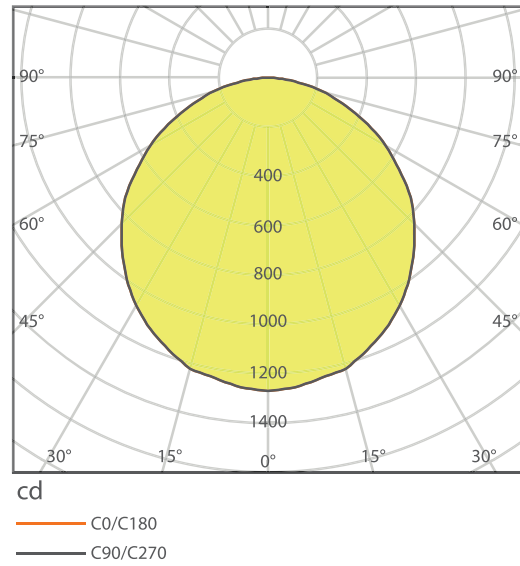
- Rated Supply Voltage: 220-240V
- Frequency: 50/60Hz



### Dimensions

Model	Length	Width	Height
DULVLS-36-BL	595mm	595mm	35mm
DULVLS-612-65-BL	1195mm	595mm	34mm

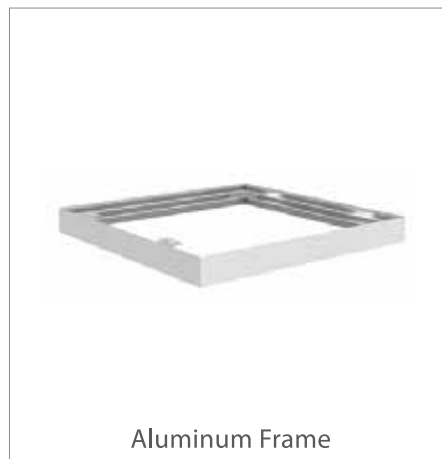
## Photometric Diagram



## Technical Specifications

Model	Power [ W ]	LED type	Luminous flux [ lm ]	Luminous efficacy [ lm/W ]	CCT [ K ]	Beam angle	CRI [ Ra ]
DULVLS-36-BL	36W	SMD LEDs	4320 lm	120 lm/W	3000K	120°	>80
DULVLS-612-65-BL	65W		7800 lm		4000K 6500K		

## Accessories





# FLOODLIGHTS



Apricum® Sport

FLOODLIGHTS



#### Description

Apricum Sport, LED Floodlight, uses SMD LEDs for outdoor applications. Housing is made of Die-Cast Aluminum with customized heat-sink to achieve efficient heat dissipation.

#### Product Features

- High efficient SMD LEDs
- Unique IP68 LED light engines
- Bracket adjustable in  $\pm 45^{\circ} \sim 75^{\circ}$ , with row of modules separately adjustable in  $-15^{\circ} \sim 15^{\circ}$
- Material: Die-cast aluminum
- Working Environment:  $-40^{\circ}\text{C} \sim 50^{\circ}\text{C}$
- 0-1/10V dimming, DALI dimming, smart (optional)
- IP rating: IP67
- Life span: 50,000hrs

#### Applications



Stadium



Airport



Port

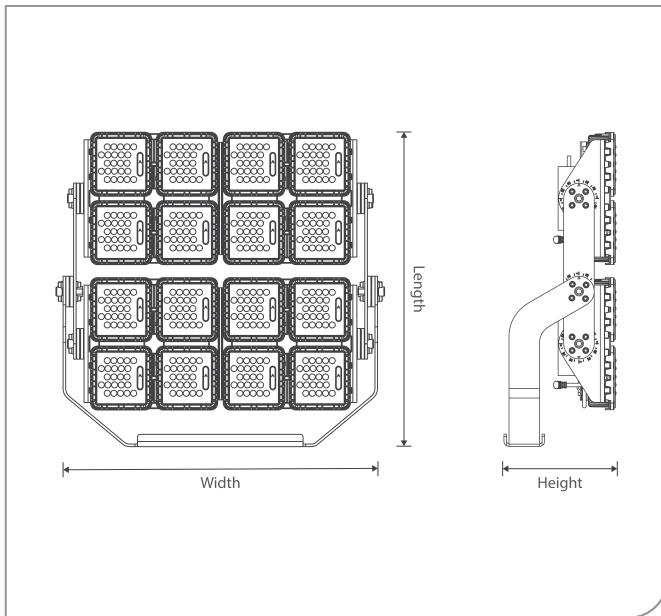


Parking lot

#### Electrical Specifications

- Rated Supply Voltage: 220-240V
- Frequency: 50/60Hz

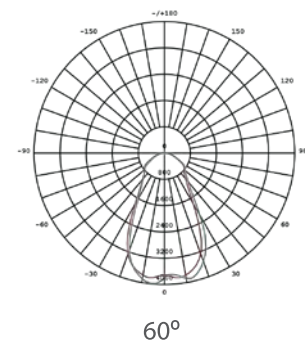
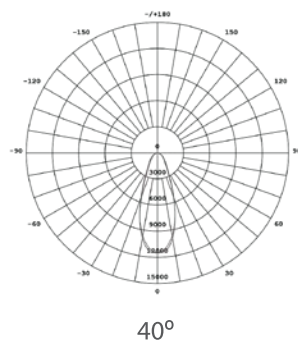
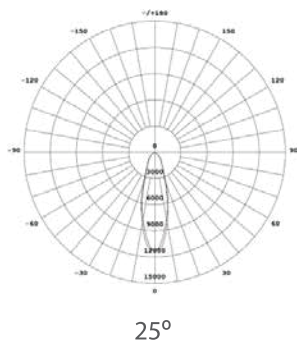
## Technical Drawing



## Dimensions

Model	Length	Width	Height
DUAPFLXP-300	335mm	600mm	220mm
DUAPFLXP-400	335mm	600mm	220mm
DUAPFLXP-500	335mm	600mm	220mm
DUAPFLXP-600	615mm	645mm	220mm
DUAPFLXP-800	615mm	645mm	220mm
DUAPFLXP-900	615mm	645mm	220mm
DUAPFLXP-1000	615mm	645mm	220mm
DUAPFLXP-1200	900mm	655mm	220mm
DUAPFLXP-1500	900mm	655mm	220mm

## Photometric Diagrams



## Technical Specifications

Model	Power [ W ]	LED type	Luminous flux [ lm ]	Luminous efficacy [lm/W]	CCT [ K ]	Beam angle	CRI [ Ra ]	Net weight [ kg ]
DUAPFLXP-300	300W	SMD LEDs	49500 lm	165 lm/W	3000K	25°	>70	13 kg
DUAPFLXP-400	400W		66000 lm					13 kg
DUAPFLXP-500	500W		82500 lm					13 kg
DUAPFLXP-600	600W		99000 lm					26.1 kg
DUAPFLXP-800	800W		132000 lm					26.1 kg
DUAPFLXP-900	900W		148500 lm					26.1 kg
DUAPFLXP-1000	1000W		165000 lm					26.1 kg
DUAPFLXP-1200	1200W		198000 lm					39.9 kg
DUAPFLXP-1500	1500W		247500 lm					39.9 kg



Apricum® FLMP

FLOODLIGHTS



Body Color: ● ●

#### Description

Apricum FLMP, LED Floodlight, uses SMD LEDs for outdoor applications. Housing is made of Die-Casted Aluminum body, coated with epoxy powder. Luminaire adopts modular design with honeycomb briquette effect, for efficient heat dissipation.

#### Product Features

- SMD LEDs
- UV protected PC diffuser with transmittance rate of 97%
- Modular design makes maintenance easier
- Equipped with 10Kv Surge Protector for outdoor applications
- Different beam angle options are available
- 360° adjustable steel bracket for installation
- Working temperature: -40°C to 55°C
- 0-1/10V dimming, DALI dimming, smart (optional)
- IP rating: IP67
- Life-span: 50,000 hours

#### Electrical Specifications

- Rated Supply Voltage: 220-240V
- Frequency: 50/60Hz

#### Applications



Facade and Building Lighting



Sport Stadiums

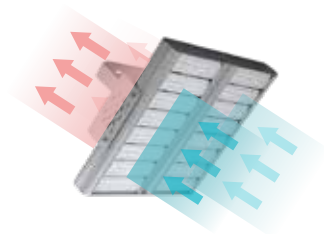


Area Lighting



**Easy-tool maintenance**

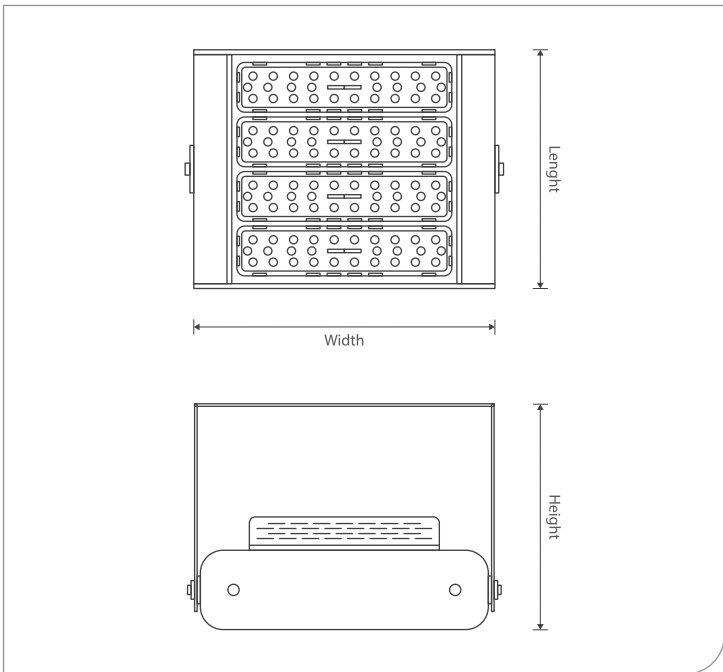
It uses special structural design to achieve the manual disassembly and installation of lighting components; in consideration that the high-power lights are generally installed in higher operating environment, The operators require as few tools as possible for their convenience and security.



**Honeycomb Briquette effect**

It simulates and adopts the burning principle of honeycomb briquette; it is easy to transform the original block of radiator to various modules and reduce temperature by around 20°C.

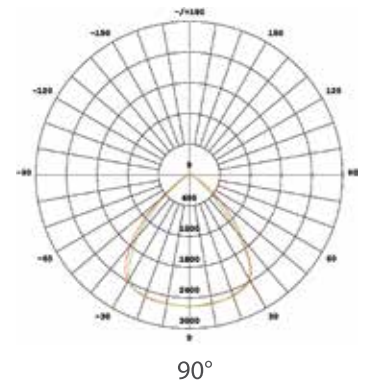
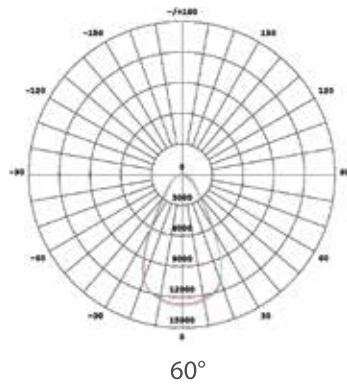
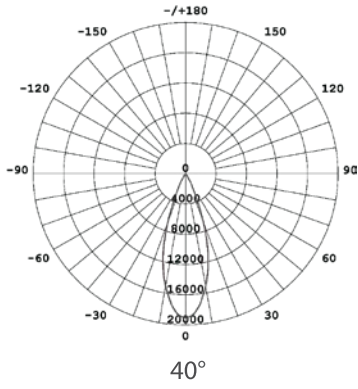
**Technical Drawing**



**Dimensions**

Model	Length	Width	Height
DUAPFLMP-50	95mm	360mm	200mm
DUAPFLMP-100	175mm	360mm	200mm
DUAPFLMP-150	255mm	360mm	260mm
DUAPFLMP-200	335mm	360mm	260mm
DUAPFLMP-250	415mm	360mm	360mm
DUAPFLMP-300	495mm	360mm	360mm
DUAPFLMP-350	575mm	360mm	360mm
DUAPFLMP-400	655mm	360mm	415mm
DUAPFLMP-480	655mm	360mm	415mm
DUAPFLMP-960	655mm	680mm	395mm

## Photometric Diagrams



## Technical Specifications

Model	Power [ W ]	LED units	LED type	Luminous flux [ lm ]	Luminous efficacy [lm/W]	CCT [ K ]	Beam angle	CRI [ Ra ]	Net weight [ kg ]
DUAPFLMP-50	50W	1 unit x 28	SMD LEDs	8500 lm	170 lm/W	3000K 4000K 6500K	40° 60° 90°	>80	3.6 kg
DUAPFLMP-100	100W	2 units x 28		17000 lm					4.7 kg
DUAPFLMP-150	150W	3 units x 28		25500 lm					6 kg
DUAPFLMP-200	200W	4 units x 28		34000 lm					7.3 kg
DUAPFLMP-250	250W	5 units x 28		42500 lm					9.5 kg
DUAPFLMP-300	300W	6 units x 28		51000 lm					10.4 kg
DUAPFLMP-350	350W	7 units x 28		59500 lm					11.9 kg
DUAPFLMP-400	400W	8 units x 28		68000 lm					13.1 kg
DUAPFLMP-480	480W	8 units x 28		81600 lm					13.1 kg
DUAPFLMP-960	960W	16 units x 28		163200 lm					36.4 kg





Apricum® Flex

FLOODLIGHTS



#### Description

Apricum Flex, LED Floodlight, uses built-in LED driver for outdoor applications. Housing is made of Aluminum, with customized heat-sink in order to achieve efficient heat dissipation.

#### Product Features

- High efficient SMD LEDs
- Built-in LED Driver
- PC diffuser with high transparency rate
- Pure aluminum housing body
- 180° adjustable steel bracket for mounting
- Working temperature: -20°C to 50°C
- 0-1/10V dimming, DALI dimming, smart (optional)
- IP rating: IP66
- Life Span : 50,000 hours

#### Electrical Specifications

- Rated Supply Voltage: 220-240V
- Frequency: 50/60Hz

#### Applications



Area Lighting

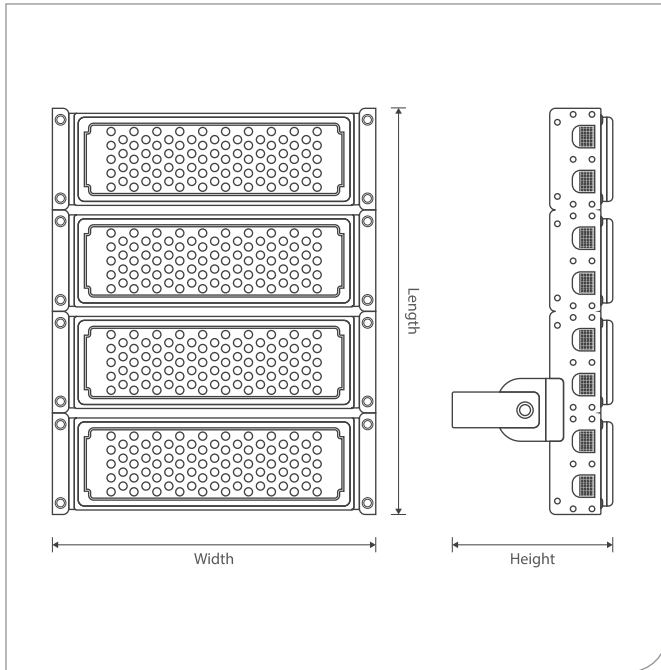


Sport Stadiums



Gardens

## Technical Drawing



## Dimensions

Model	Length	Width	Height
DUAPFLX-50	86mm	320mm	132mm
DUAPFLX-100	172mm	320mm	132mm
DUAPFLX-150	260mm	320mm	132mm
DUAPFLX-200	348mm	320mm	132mm
DUAPFLX-250	436mm	320mm	132mm
DUAPFLX-300	260mm	625mm	132mm
DUAPFLX-400	344mm	625mm	132mm
DUAPFLX-500	436mm	625mm	132mm
DUAPFLX-600	524mm	625mm	132mm
DUAPFLX-700	612mm	625mm	184mm
DUAPFLX-800	700mm	625mm	184mm
DUAPFLX-900	788mm	625mm	184mm
DUAPFLX-1000	876mm	647mm	184mm

## Technical Specifications

Model	Power [ W ]	LED type	Luminous flux [ lm ]	Luminous efficacy [lm/W]	CCT [ K ]	Beam angle	CRI [ Ra ]
DUAPFLX-50	1 x 50W	SMD LEDs	7750	155 lm/W	3000K 4000K 6500K	25° 40° 60° 80° x 50°	>80
DUAPFLX-100	2 x 50W		15500				
DUAPFLX-150	3 x 50W		23250				
DUAPFLX-200	4 x 50W		31000				
DUAPFLX-250	5 x 50W		38750				
DUAPFLX-300	6 x 50W		46500				
DUAPFLX-400	8 x 50W		62000				
DUAPFLX-500	10 x 50W		77500				
DUAPFLX-600	12 x 50W		93000				
DUAPFLX-700	14 x 50W		108500				
DUAPFLX-800	16 x 50W		124000				
DUAPFLX-900	18 x 50W		139500				
DUAPFLX-1000	20 x 50W		155000				



Apricum® Leco

## FLOODLIGHTS



### Description

Apricum Leco, LED Floodlight, uses SMD LEDs for outdoor applications. Housing is made of Die-Cast Aluminum. Luminaire uses tempered glass with high transparency rate.

### Product Features

- SMD LEDs
- Built-in LED driver
- Streamlines design
- Working temperature: -20°C to 55°C
- Optional front frame design
- 0-1/10V dimming, DALI dimming, smart (optional)
- IP Rating: IP65
- IK Rating: IK07
- Life Span: 50,000 hours

### Electrical Specifications

- Rated Supply Voltage: 220-240V
- Frequency: 50/60Hz

### Applications



Mosque



Factories

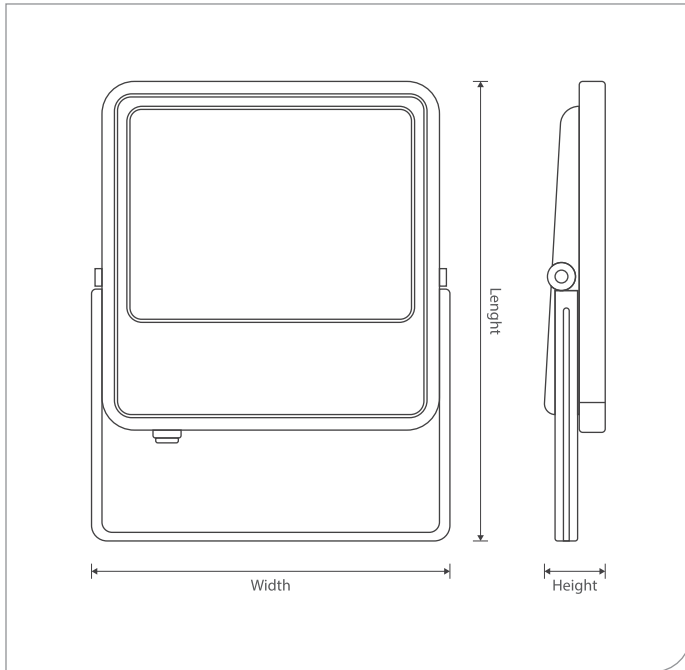


Workshops



Parks

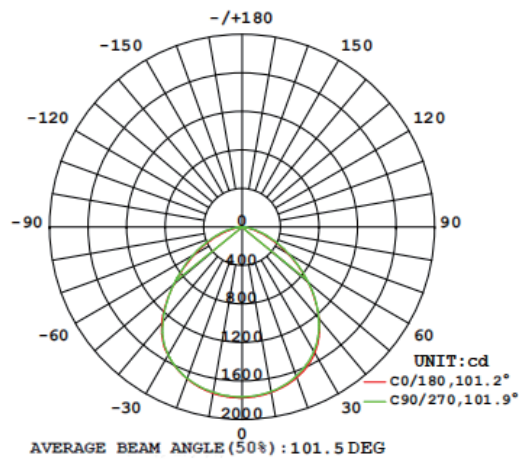
## Technical Drawing



## Dimensions

Model	Length	Width	Height
DUAPL2-10	103mm	106mm	28mm
DUAPL2-20	113mm	117mm	31mm
DUAPL2-30	138mm	142mm	31mm
DUAPL2-50	171mm	177mm	32mm
DUAPL2-100	245mm	255mm	40mm
DUAPL2-150	289mm	299mm	48mm
DUAPL2-200	342mm	354mm	55mm

## Photometric Diagram



## Technical Specifications

Model	Power [W]	LED type	Luminous flux [lm]	Luminous efficacy [lm/W]	CCT [K]	Beam angle	CRI [Ra]
DUAPL2-10	10W	SMD LEDs	900 lm	90 lm/W	3000K	100°	>80
DUAPL2-20	20W		1800 lm				
DUAPL2-30	30W		2700 lm				
DUAPL2-50	50W		4500 lm				
DUAPL2-100	100W		9000 lm				
DUAPL2-150	150W		13500 lm				
DUAPL2-200	200W		18000 lm				



Apricum® LP

FLOODLIGHTS



Also Available in RGB CCT



#### Description

Apricum LP, LED Floodlight, uses SMD LEDs for outdoor applications. Housing is made of Die-Casted Aluminum with powder coating. Luminaire uses tempered glass with high transparency rate.

#### Product Features

- SMD LEDs
- Built-in LED driver
- High purity aluminum reflector
- 180° adjustable steel bracket
- Available in RGB and RGB/RGBW DMX as well
- Working temperature: -40°C to 55°C
- IP rating: IP65
- Life-span: 50,000 hours

#### Electrical Specifications

- Rated Supply Voltage: 220-240V/24VDC
- Frequency: 50/60Hz

#### Applications



Facade Lighting

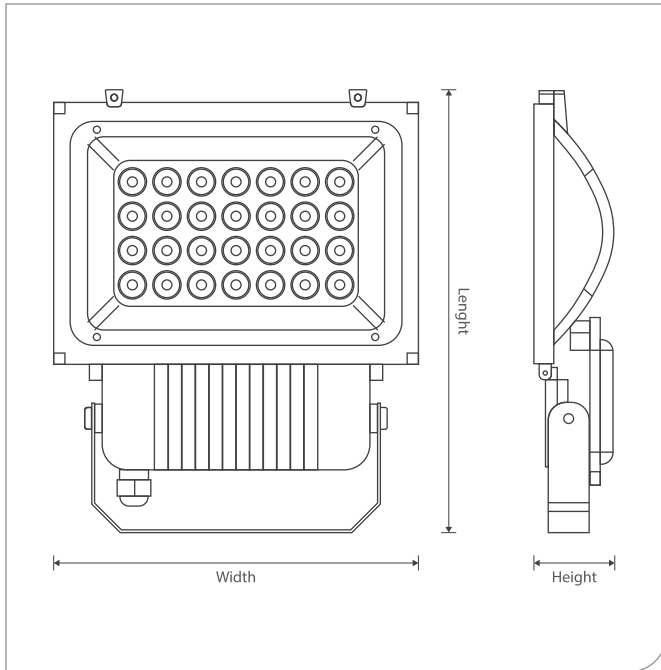


Sign Boards



Gardens

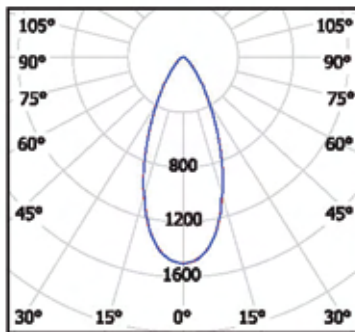
## Technical Drawing



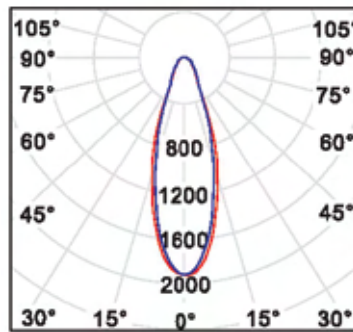
## Dimensions

Model	Length	Width	Height
DUAPLP-20	338mm	156mm	59mm
DUAPLP-30	338mm	156mm	59mm
DUAPLP-50	338mm	280mm	59mm
DUAPLP-80	444mm	353mm	66mm
DUAPLP-100	444mm	353mm	66mm
DUAPLP-160	515mm	420mm	87mm
DUAPLP-180	515mm	420mm	87mm
DUAPLP-200	515mm	420mm	87mm

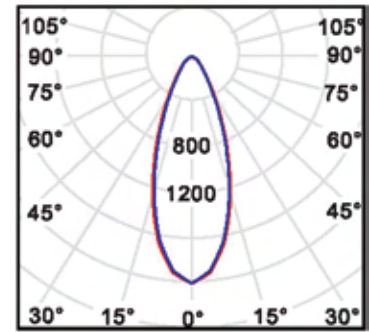
## Photometric Diagrams



DUAPLP-50



DUAPLP-80 / 100



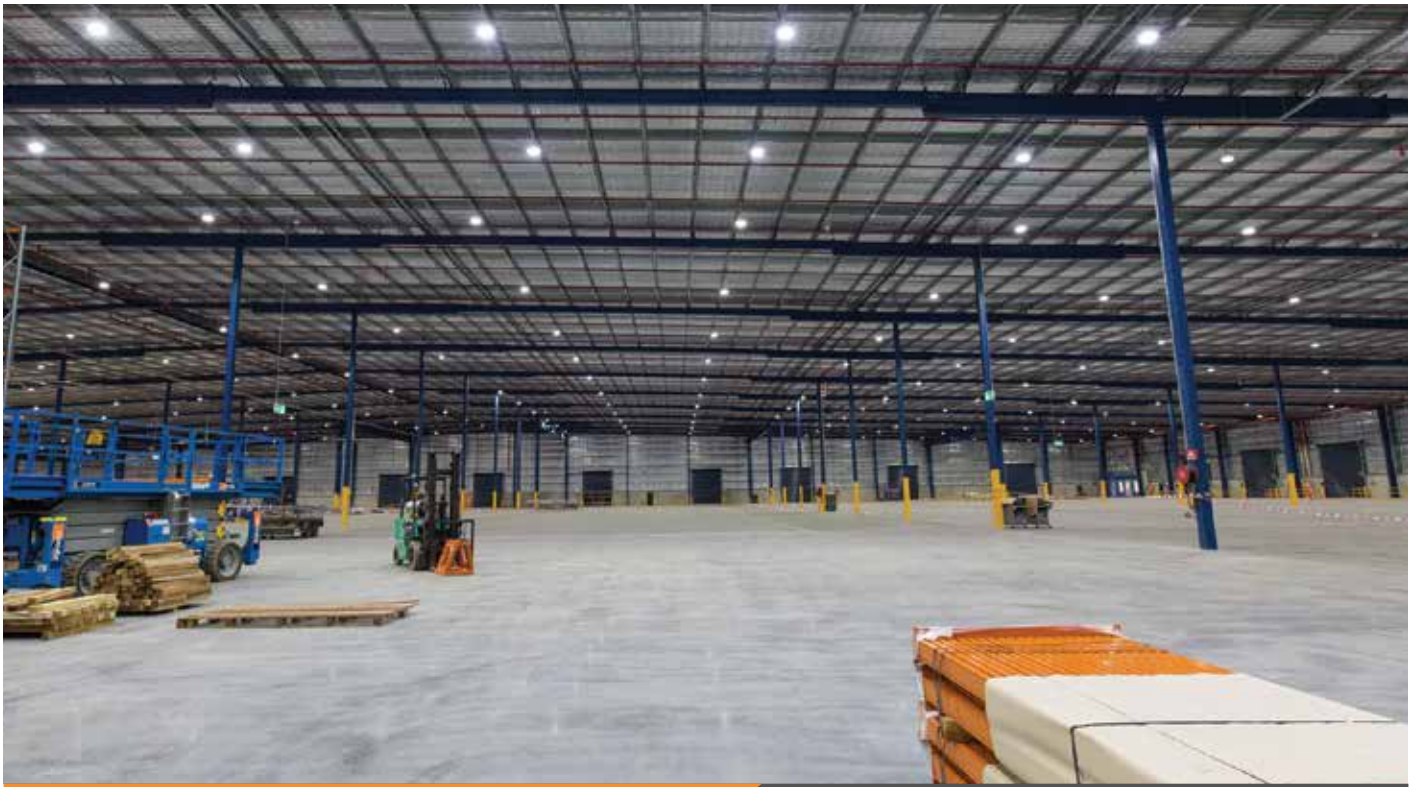
DUAPLP-160 / 180 / 200

## Technical Specifications

Model	Power [ W ]	LED type	Luminous flux [ lm ]	Luminous efficacy [ lm/W ]	CCT [ K ]	Beam angle	CRI [ Ra ]
DUAPLP-20	20W	High Power SMD LEDs	1840 lm	92 lm/W	3000K 4500K 6500K RGB RGBW	60°	>75
DUAPLP-30	30W		2800 lm	93 lm/W			
DUAPLP-50	50W		4750 lm	95 lm/W			
DUAPLP-80	80W		7745 lm	96 lm/W			
DUAPLP-100	100W		9700 lm	97 lm/W			
DUAPLP-160	160W		16320 lm	102 lm/W			
DUAPLP-180	180W		18715 lm	104 lm/W			
DUAPLP-200	200W		20685 lm	104 lm/W			



# HIGHBAYS



Apricum® SHBL<sub>one</sub>

HIGHBAYS



#### Description

Apricum SHBL<sub>one</sub>, LED Highbay, uses SMD LEDs and built-in LED driver for industrial applications. Housing is made of Die-Cast Aluminum.

#### Product Features

- SMD LEDs
- Built-in LED driver
- Different beam angle options are available
- Installation: Pendant/Surface mount
- Working temperature: -20°C to 50°C
- 0-1/10V dimming, DALI dimming, emergency, smart (optional)
- IP Rating: IP65
- IK Rating: IK08
- Life-span: 50,000 hours

#### Electrical Specifications

- Rated Supply Voltage: 220-240V
- Frequency: 50/60Hz

#### Applications



Sport Gymnasiums



Warehouses



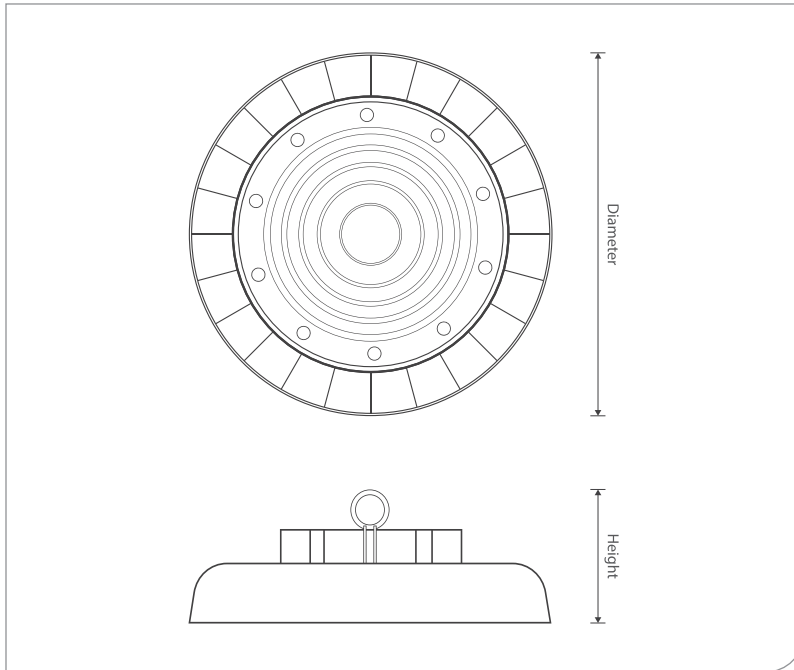
Exhibition Halls



Factories



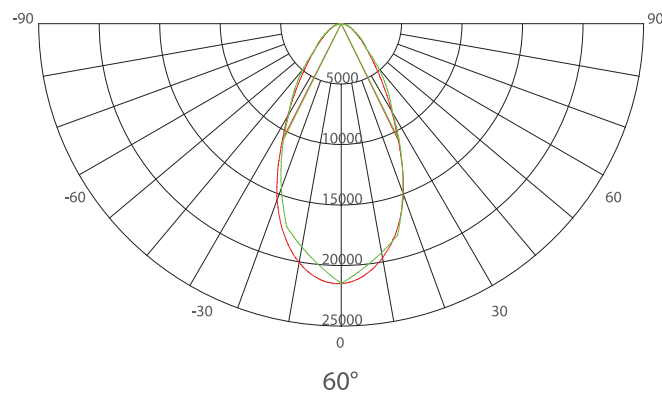
## Technical Drawing



## Dimensions

Model	Diameter	Height
DUAPSHBL01-100	Φ 253mm	130mm
DUAPSHBL01-150	Φ 308mm	136mm
DUAPSHBL01-200	Φ 354mm	141mm
DUAPSHBL02-100	Φ 253mm	130mm
DUAPSHBL02-150	Φ 308mm	136mm
DUAPSHBL02-200	Φ 354mm	141mm

## Light Distribution Curve



## Technical Specifications

Model	Power [W]	LED type	Luminous flux [lm]	Luminous efficacy [lm/W]	CCT [K]	Beam angle	CRI [Ra]
DUAPSHBL01-100	100W	SMD LEDs	12000 lm	120 lm/W	3000K	60°	>80
DUAPSHBL01-150	150W		18000 lm				
DUAPSHBL01-200	200W		24000 lm				
DUAPSHBL02-100	100W		15000 lm	150 lm/W	6500K	120°	
DUAPSHBL02-150	150W		22500 lm				
DUAPSHBL02-200	200W		30000 lm				



# STREETLIGHTS



Apricum® LMP

STREETLIGHTS



#### Description

Apricum LMP, LED Streetlight, uses SMD LEDs and built-in LED driver for outdoor applications. Housing is made of Aluminum Die-Casted body, coated with epoxy powder. Luminaire adopts modular design with Honeycomb Briquette effect, for efficient heat dissipation.

#### Product Features

- High lumen LUMILEDS LED modules
- Built-in LED driver
- Luminaire uses UV protected PC diffuser with transmittance rate of 97%
- Suitable for horizontal and vertical installation with adaptor adjustable by  $\pm 15^\circ$
- IP68 LED modules with screw free design to avoid water penetration
- Independent LED modules makes maintenance easier
- Equipped with 10kv surge protection device
- Working temperature:  $-40^\circ\text{C}$  to  $55^\circ\text{C}$
- 0-1/10V dimming, DALI dimming, smart (optional)
- IP rating: IP66
- IK rating: IK09
- Life-span: 50,000 hours

#### Electrical Specifications

- Rated Supply Voltage: 220-240V
- Frequency: 50/60Hz

#### Applications

 Highways & Main Roads

 Streets



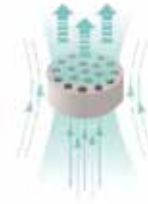
Horizontal Installation



Vertical Installation



Schematic diagram of heat dissipation of honeycomb effect



Air convection in Honeycomb Briquette



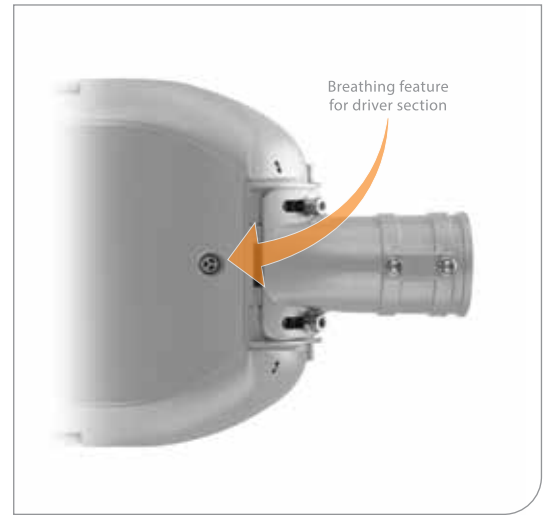
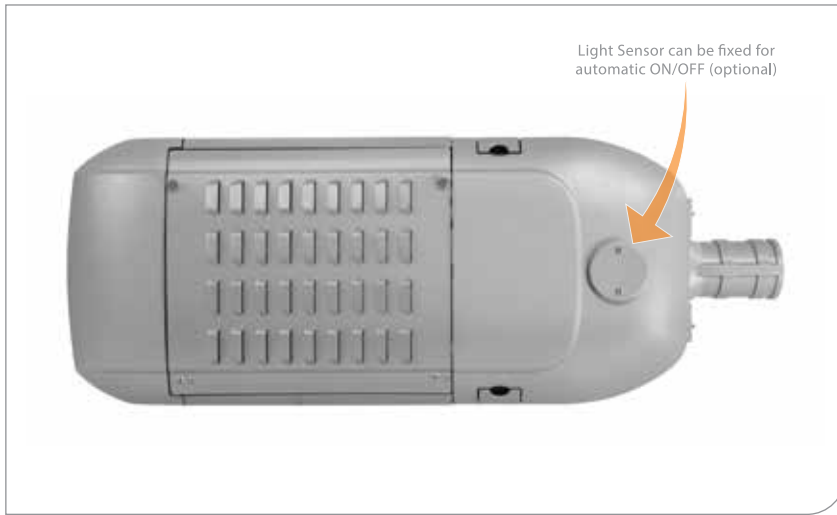
No air convection in solid coal Briquette

### Honeycomb Briquette effect

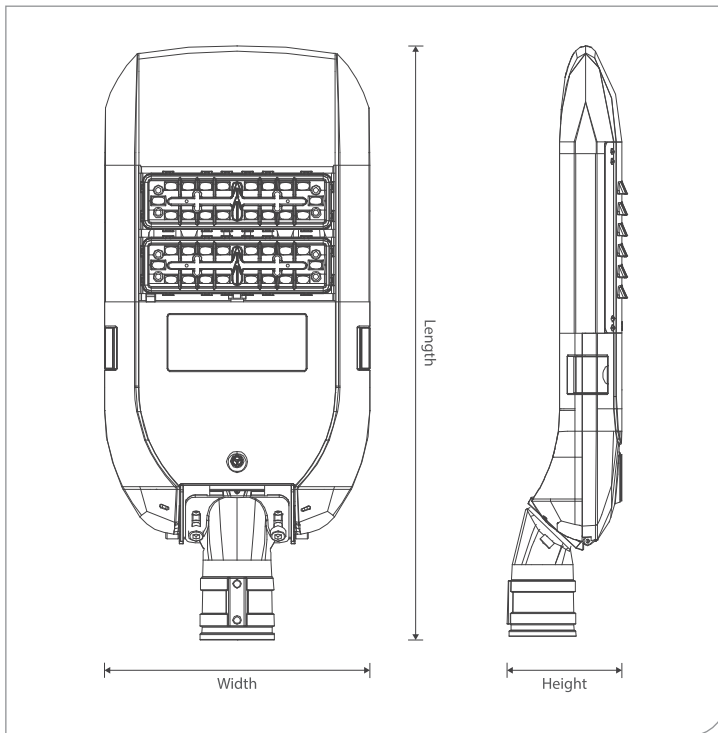
It simulates and adopts the burning principle of Honeycomb Briquette; it is easy to transform the original block of radiator to various modules and reduce temperature by around 20°C.

- 1 Terminal Block (Provides easy wire connection)
- 2 Electrical Compartment (IP66 rated)
- 3 NEMA Receptacle (Optional)
- 4 IP68 rated Connector





### Technical Drawing



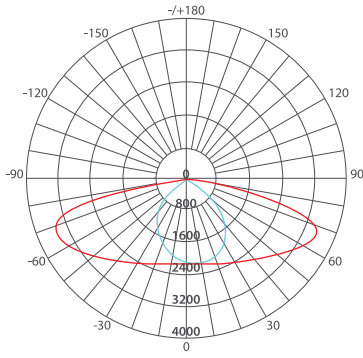
### Dimensions

Model	Length	Width	Height
DUAPLMP33-50	695mm	330mm	160mm
DUAPLMP33-100	740mm	330mm	160mm
DUAPLMP33-150	820mm	330mm	160mm
DUAPLMP33-200	900mm	330mm	160mm
DUAPLMP33-250	980mm	330mm	160mm
DUAPLMP33-300	1060mm	330mm	160mm
DUAPLMP33-350	1140mm	330mm	160mm

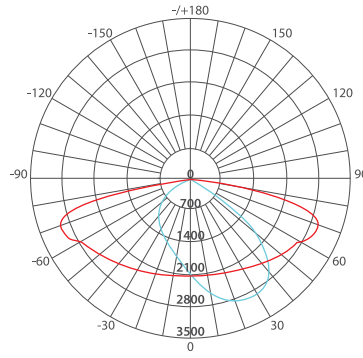
### Technical Specification

Model	Power [W]	LED units	LED type	Luminous flux [lm]	Luminous efficacy [lm/W]	CCT [K]	Light distribution	CRI [Ra]	Net weight [kg]
DUAPLMP33-50	50W	1 unit x 28	SMD LED	8500 lm	170 lm/W	3000K 4000K 6500K	Batwing ISO brightness	>70	7.2 kg
DUAPLMP33-100	100W	2 units x 28		17000 lm					8.4 kg
DUAPLMP33-150	150W	3 units x 28		25500 lm					9.6 kg
DUAPLMP33-200	200W	4 units x 28		34000 lm					10.8 kg
DUAPLMP33-250	250W	5 units x 28		42500 lm					12 kg
DUAPLMP33-300	300W	6 units x 28		51000 lm					13.2 kg
DUAPLMP33-350	350W	7 units x 28		59500 lm					14.4 kg

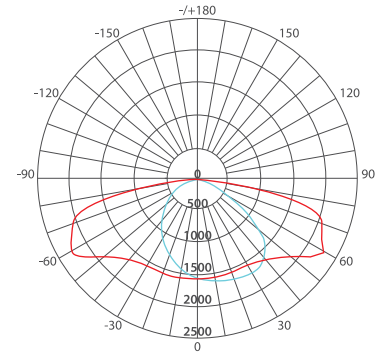
## Photometric Diagrams



2105



2128



3106

## Accessories

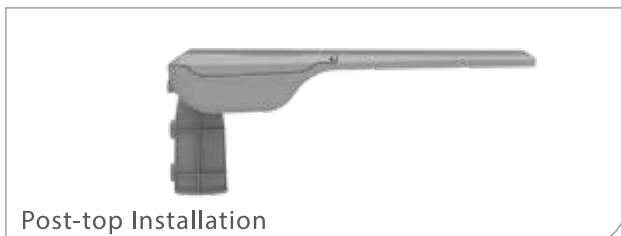
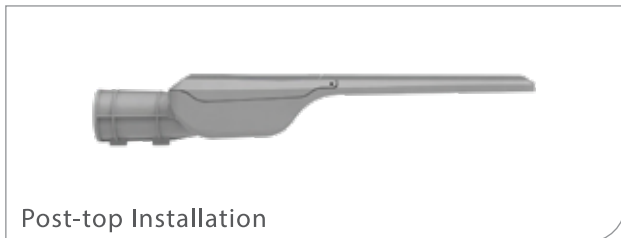


Adapter (Optional)		
Length	Diameter	Mounting Depth
50mm	Φ40mm~Φ50mm	90mm
60mm	Φ55mm~Φ65mm	100mm
70mm	Φ66mm~Φ76mm	100mm



## Apricum® STL 744

## STREETLIGHTS



### Description

Apricum STL 744, LED Street Light, uses SMD LEDs for outdoor applications. Housing is made of Die-Cast Aluminum. It provides ergonomic and dedicated lighting distribution; viable for various roadway applications.

### Product Features

- SMD LEDs
- Easy tool maintenance
- Suitable for Horizontal and Vertical installations
- Equipped with 10KV Surge protection device
- Working Temperature: -30°C to 50°C
- 0-1/10V dimming, DALI dimming, smart (optional)
- IP Rating: IP66
- IK Rating: IK08
- Life-span: 50,000 hours

### Electrical Specifications

- Rated Supply Voltage: 220-240V
- Frequency: 50/60Hz

### Applications



Streets

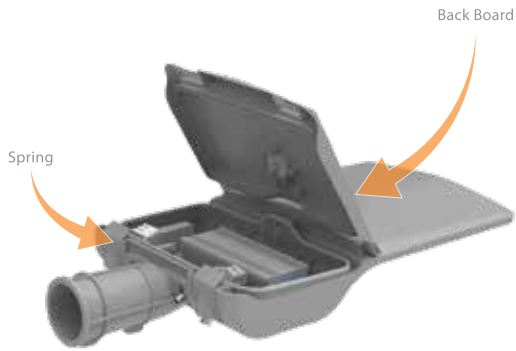


Urban Roads

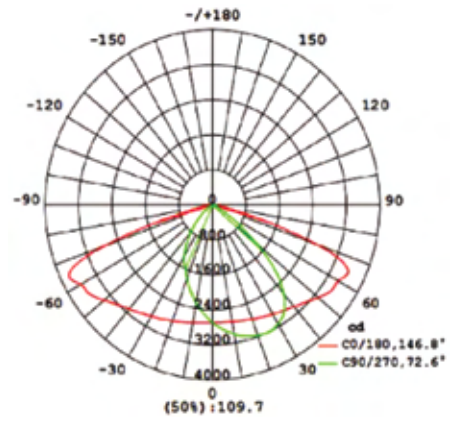


Districts Lighting

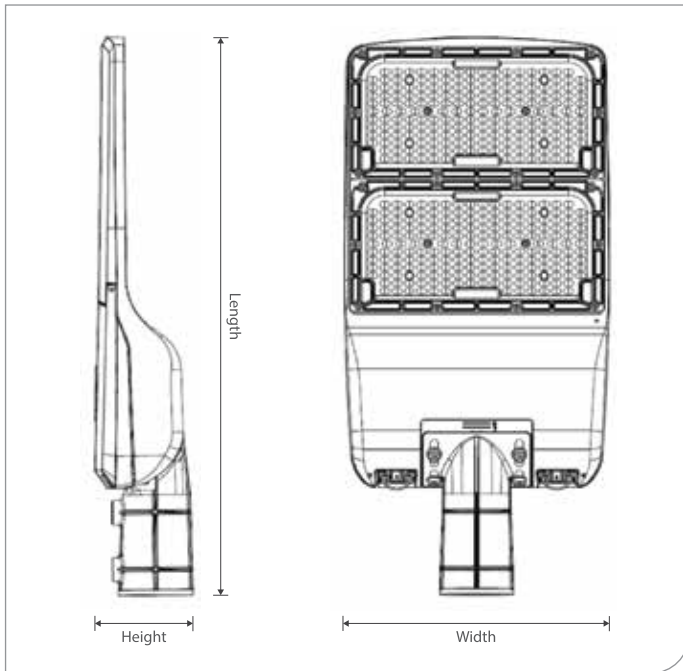
**TOOL-FREE**  
Opening Solution



**Photometric Diagram**



**Technical Drawing**



**Dimensions**

Model	Length	Width	Height
DUAPSTL744-40	371mm	287mm	103mm
DUAPSTL744-60	371mm	287mm	103mm
DUAPSTL744-90	371mm	287mm	103mm
DUAPSTL744-120	519mm	287mm	103mm
DUAPSTL744-150	519mm	287mm	103mm
DUAPSTL744-180	591mm	331mm	113mm
DUAPSTL744-210	591mm	331mm	113mm
DUAPSTL744-240	745mm	331mm	113mm
DUAPSTL744-270	745mm	331mm	113mm
DUAPSTL744-300	745mm	331mm	113mm

**Technical Specifications**

Model	Power [W]	LED type	Luminous flux [lm]	Luminous efficacy [lm/W]	CCT [K]	Beam angle	CRI [Ra]	Net weight [kg]
DUAPSTL744-40	40W	SMD LED	6400 lm	160 lm/W	3000K 4000K 5700K	150°x70°	>70	4.4 kg
DUAPSTL744-60	60W		9600 lm					4.4 kg
DUAPSTL744-90	90W		14400 lm					4.4 kg
DUAPSTL744-120	120W		19200 lm					5.4 kg
DUAPSTL744-150	150W		24000 lm					5.4 kg
DUAPSTL744-180	180W		28800 lm					7.5 kg
DUAPSTL744-210	210W		33600 lm					7.5 kg
DUAPSTL744-240	240W		38400 lm					9.5 kg
DUAPSTL744-270	270W		43200 lm					9.5 kg
DUAPSTL744-300	300W		48000 lm					9.5 kg



Apricum® SM

STREETLIGHTS



#### Description

Apricum SM, LED Streetlight, uses SMD LEDs and built-in LED driver for outdoor applications. Housing is made of Die-Casted Aluminum; body coated with epoxy powder. Ergonomic and dedicated lighting distribution are viable for various roadway applications.

#### Product Features

- High lumen LUMILEDs LED modules
- Built-in LED driver
- Die-cast latches provide; easy, tool-less access to the electrical compartment
- Luminaire uses UV protected PC diffuser with transmittance rate of 97%
- Suitable for horizontal and vertical installation with adaptor adjustable by  $\pm 15^\circ$
- Equipped with 10kv surge protection device
- Working temperature:  $-40^\circ\text{C}$  to  $55^\circ\text{C}$
- 0-1/10V dimming, DALI dimming, smart (optional)
- IP rating: IP66
- IK rating: IK08
- Life-span: 50,000 hours



#### Electrical Specifications

- Rated Supply Voltage: 220-240V
- Frequency: 50/60Hz

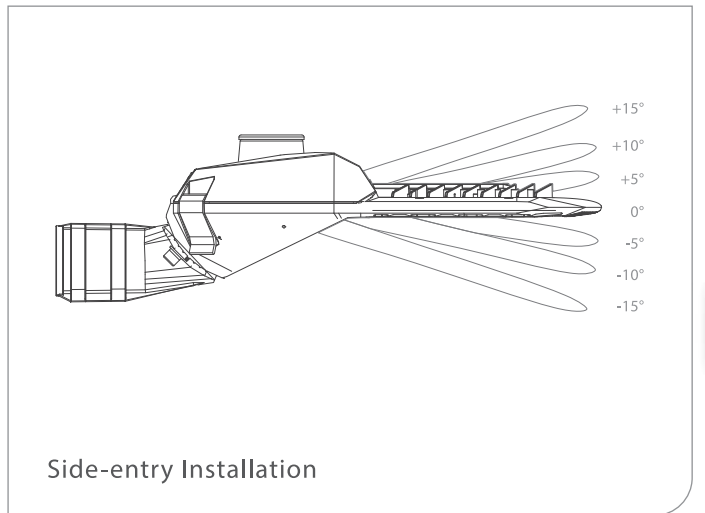
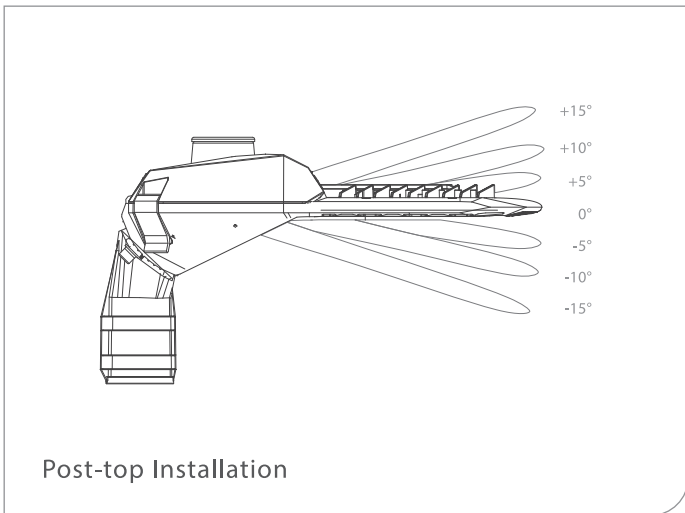
#### Applications



Public Areas



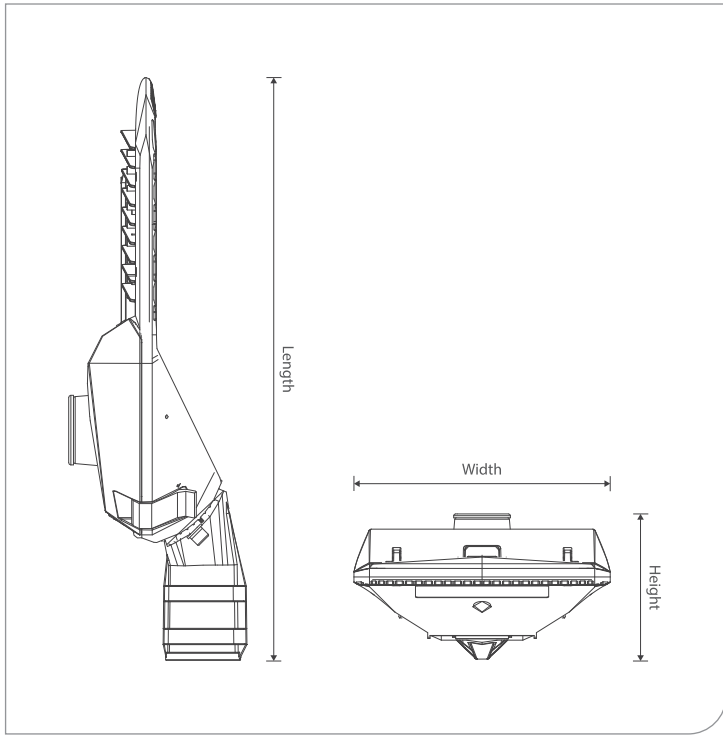
Urban Roads



- 1 Bubble level for easy leveling during installation
- 2 Electrical disconnector (optional); immediate disconnection of power supply
- 3 NEMA receptacle & photocell (optional)
- 4 Electrical compartment IP66 rated
- 5 Matched pole diameter;  $\Phi 40-50$ ,  $\Phi 55-65$ ,  $\Phi 66-76$



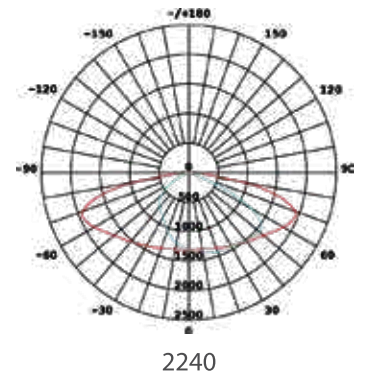
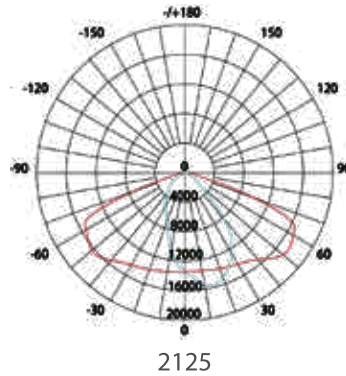
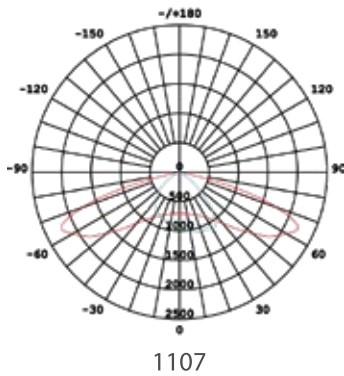
## Technical Drawing



## Dimensions

Model	Length	Width	Height
DUAPSM-50	570mm	240mm	180mm
DUAPSM-60	570mm	240mm	180mm
DUAPSM-100	615mm	330mm	185mm
DUAPSM-120	615mm	330mm	185mm
DUAPSM-150	680mm	330mm	185mm
DUAPSM-180	680mm	330mm	185mm
DUAPSM-200	745mm	330mm	185mm
DUAPSM-240	745mm	330mm	185mm

## Photometric Diagrams



## Technical Specifications

Model	Power [ W ]	LED units	LED type	Luminous flux [ lm ]	Luminous efficacy [lm/W]	CCT [ K ]	Light distribution	CRI [ Ra ]	Net weight [ kg ]
DUAPSM-50	50W	1 unit x 28	SMD LED	8500 lm	170 lm/W	3000K 4000K 6500K	Batwing ISO brightness	>70	5.8 kg
DUAPSM-60	60W	1 unit x 28		10200 lm					5.8 kg
DUAPSM-100	100W	2 units x 28		17000 lm					7.8 kg
DUAPSM-120	120W	2 units x 28		20400 lm					7.8 kg
DUAPSM-150	150W	2 units x 28		25500 lm					9 kg
DUAPSM-180	180W	2 units x 28		30600 lm					9 kg
DUAPSM-200	200W	4 units x 28		34000 lm					10 kg
DUAPSM-240	240W	4 units x 28		40800 lm					10 kg





Apricum® SMone

**STREETLIGHTS**



Housing Color:

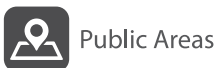
#### **Description**

Apricum SMone, LED Streetlight, uses SMD LEDs and Built-in LED driver for outdoor application. Housing is made of Die-Casted Aluminium; body coated with epoxy powder. Ergonomic and dedicated lighting distribution are viable for various roadway applications.

#### **Product Features**

- SMD LEDs
- Die-cast latches provide easy; tool-less access to the electrical compartment
- Suitable for horizontal and vertical installation
- IP66 rated engine compartment; sealed with tempered glass
- Equipped with 10kv surge protection device
- Working temperature: -40°C to 55°
- 0-1/10V dimming, DALI dimming, smart (optional)
- IP rating: IP66
- Life-span: 50,000 hours

#### **Applications**



Public Areas



Urban Roads

#### **Electrical Specifications**

- Rated Supply Voltage: 220-240V
- Frequency: 50/60Hz

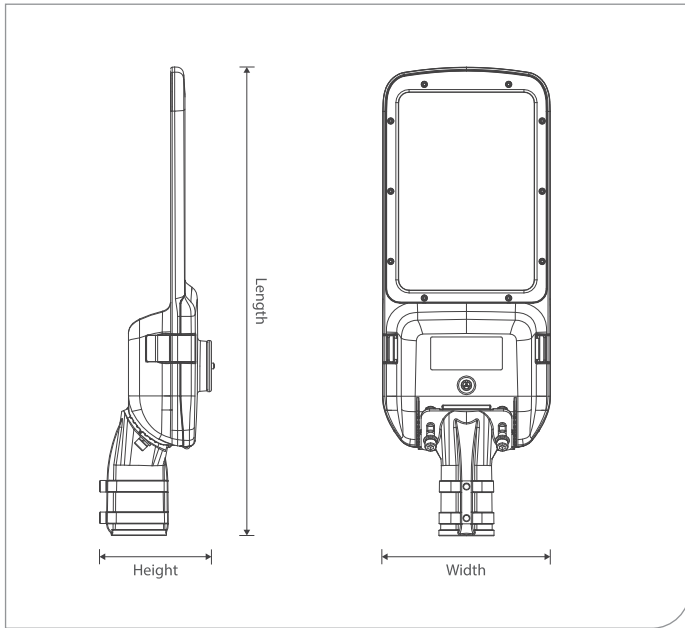
### Post-top Installation



### Side-entry Installation



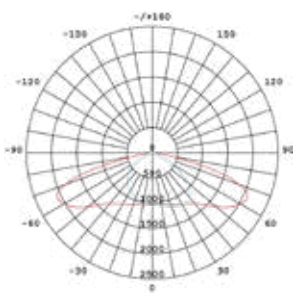
### Technical Drawing



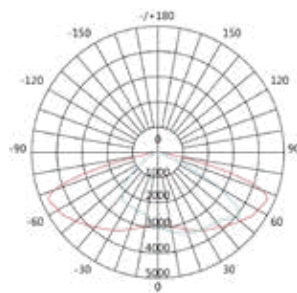
### Dimensions

Model	Length	Width	Height
DUAPSM1-60	540mm	240mm	165mm
DUAPSM1-120	670mm	240mm	165mm
DUAPSM1-180	735mm	310mm	165mm
DUAPSM1-200	835mm	310mm	165mm
DUAPSM1-240	835mm	310mm	165mm

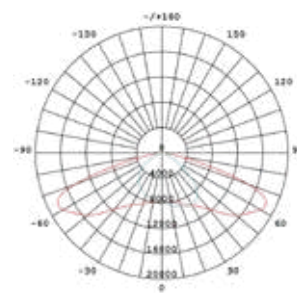
### Photometric Diagrams



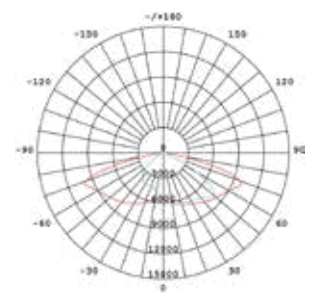
1881



2883



1884



2886

### Technical Specifications

Model	Power [ W ]	LED units	LED type	Luminous flux [ lm ]	Luminous efficacy [lm/W]	CCT [ K ]	Light distribution	CRI [ Ra ]	Net weight [ kg ]
DUAPSM1-60	60W	1 unit x 34	SMD LED	9900 lm	165 lm/W	3000K 4000K 6500K	Batwing ISO brightness	>70	4.5 kg
DUAPSM1-120	120W	2 units x 34		18600 lm					5.4 kg
DUAPSM1-180	180W	3 units x 28		29700 lm					7.1 kg
DUAPSM1-200	200W	4 units x 28		33000 lm					8.2 kg
DUAPSM1-240	240W	4 units x 28		39600 lm					8.2 kg



Apricum® LM

STREETLIGHTS



Housing Color:

#### Description

Apricum LM, LED Streetlight, uses SMD LEDs and built-in LED driver for outdoor applications. Housing is made of Die-Casted Aluminum body coated with epoxy powder.

#### Product Features

- SMD LEDs
- Built-in LED driver
- Luminaire uses UV protected PC diffuser with transmittance rate of 97%
- Ideal solution for streets and parking lighting
- Equipped with 10Kv surge protection device
- Working temperature: -40°C to 55°C
- 0-1/10V dimming, DALI dimming, smart (optional)
- IP rating: IP67
- IK rating: IK08
- Life-span: 50,000 hours

#### Electrical Specifications

- Rated Supply Voltage: 220-240V
- Frequency: 50/60Hz

#### Applications



Highways & Main Roads

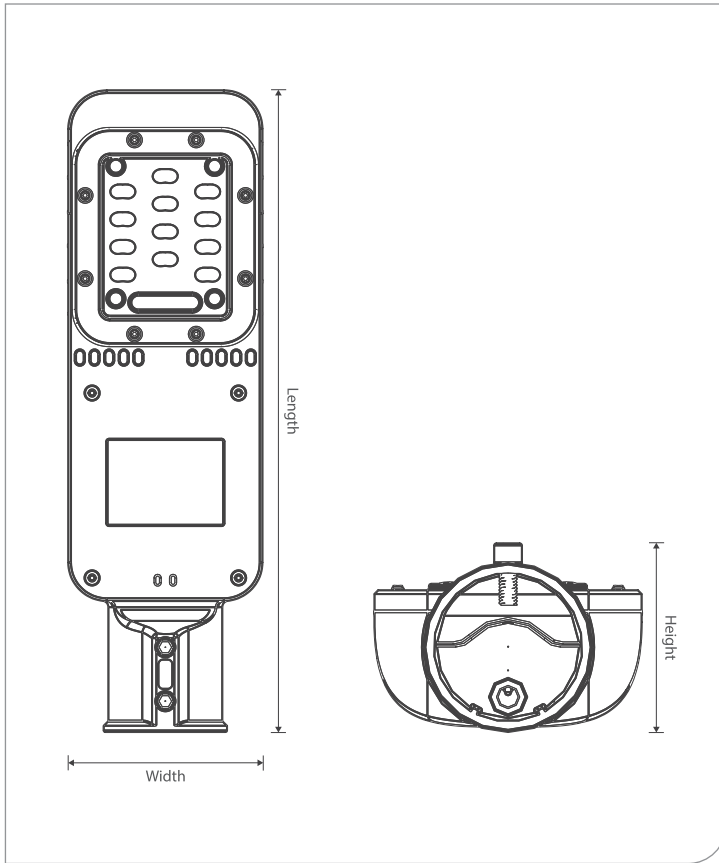


Residential Roads



Streets

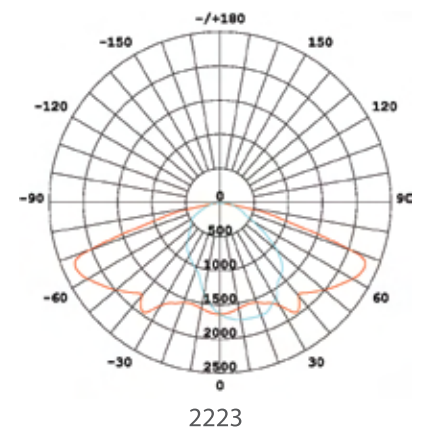
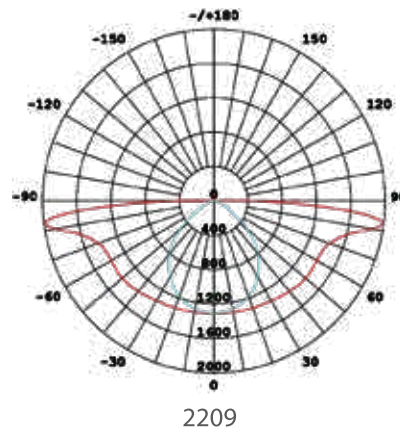
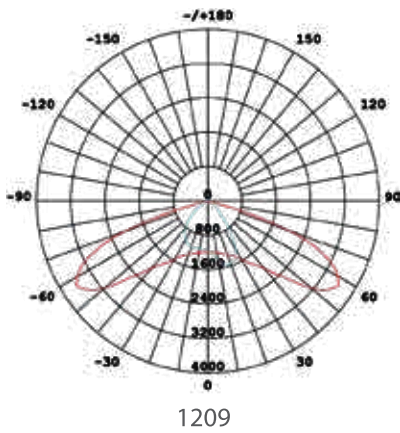
## Technical Drawing



## Dimensions

Model	Length	Width	Height
DUAPLM2-20	415mm	125mm	90mm
DUAPLM2-35	415mm	125mm	90mm
DUAPLM2-40	415mm	125mm	90mm

## Photometric Diagrams



## Technical Specifications

Model	Power [ W ]	LED type	Luminous flux [ lm ]	Luminous efficacy [lm/W]	CCT [ K ]	Light distribution	CRI [ Ra ]	Pole diameter	Net weight [ kg ]
DUAPLM2-20	20W	SMD LEDs	2900 lm	145 lm/W	3000K	Batwing	>70	Ø45-70mm	1.9 kg
DUAPLM2-35	35W		5075 lm		4000K	ISO			
DUAPLM2-40	40W		5800 lm		6500K	Brightness			

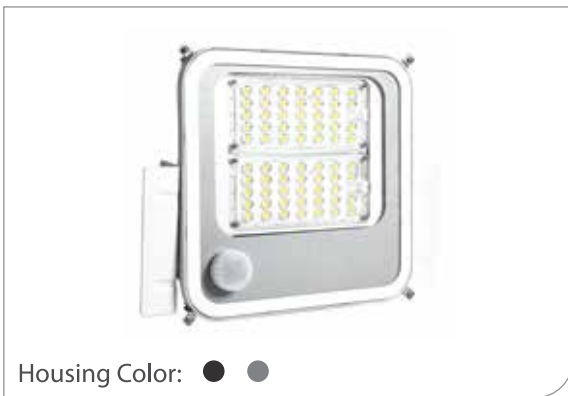


# CANOPY LIGHTS



Apricum® C

CANOPY LIGHTS



#### Description

Apricum C, LED Canopy Light, uses SMD LEDs and built-in LED driver for outdoor applications. Housing is made of Die-cast Aluminum material with tempered glass cover.

#### Product Features

- SMD LEDs
- Built-in LED Driver
- Good heat dissipation design
- Light/motion sensor for smart control and energy saving
- Ergonomic and specialized light distribution
- Unique patented IP68 LED light engines
- Installation: Recessed/Ceiling mount/Surface Mount
- Equipped with 10KV Surge protection device
- Tempered glass cover
- Installation: Recessed, Surface or Ceiling mounted
- Working temperature: -40°C to 55°C
- 0-1/10V dimming, DALI dimming, smart (optional)
- IP Rating: IP65
- IK Rating: IK06
- Life span: 50,000 hours

#### Applications



Large Indoor Areas



Gas Stations

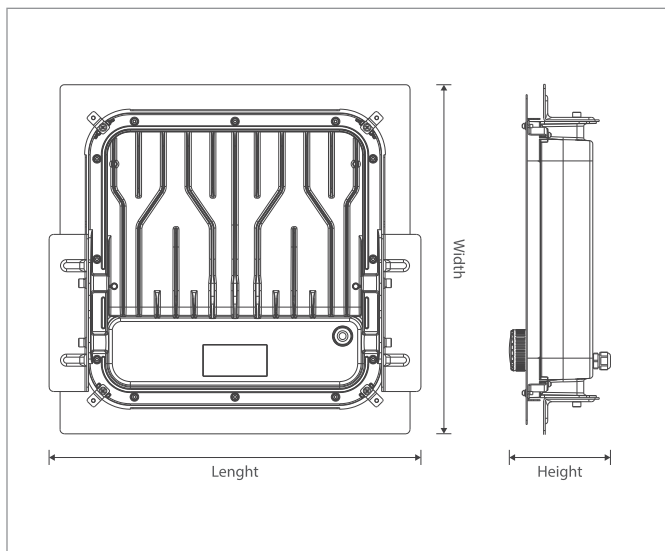


Large Industrial Halls

#### Electrical Specifications

- Rated Supply Voltage: 220-240V
- Frequency: 50/60Hz

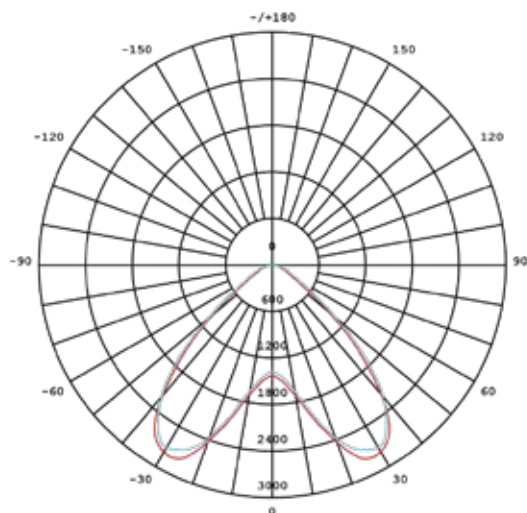
## Technical Drawing



## Dimensions

Model	Length	Width	Height
DUAPC01-60	425mm	400mm	125mm
DUAPC01-80	425mm	400mm	125mm
DUAPC01-100	425mm	400mm	125mm
DUAPC01-120	425mm	400mm	125mm
DUAPC01-60S	370mm	335mm	170mm
DUAPC01-80S	370mm	335mm	170mm
DUAPC01-100S	370mm	335mm	170mm
DUAPC01-120S	370mm	335mm	170mm

## Photometric Diagram



## Technical Specifications

Model	Power [W]	LED type	Luminous flux [lm]	Luminous efficacy [lm/W]	CCT [K]	Beam angle	CRI [Ra]
DUAPC01-60	60W	SMD LEDs	10200 lm	170 lm/W	3000K 4000K 6500K	110°	>70
DUAPC01-80	80W		13600 lm				
DUAPC01-100	100W		17000 lm				
DUAPC01-120	120W		20400 lm				
DUAPC01-60S	60W		10200 lm				
DUAPC01-80S	80W		13600 lm				
DUAPC01-100S	100W		17000 lm				
DUAPC01-120S	120W		20400 lm				



Apricum® C

CANOPY LIGHTS



#### Description

Apricum C, LED Canopy Light, uses SMD LEDs and built-in LED driver for outdoor applications. Housing is made of Die-cast Aluminum material.

#### Product Features

- SMD LEDs
- Built-in LED driver
- Good heat dissipation design
- Maintenance cost is less
- Ergonomic and specialized light distribution
- Unique patented IP68 LED light engines
- Equipped with 10KV Surge protection device
- Working temperature: -40°C to 55°C
- 0-1/10V dimming, DALI dimming, smart (optional)
- IP Rating: IP67
- Life span: 50,000 hours

#### Applications



Large Indoor Area



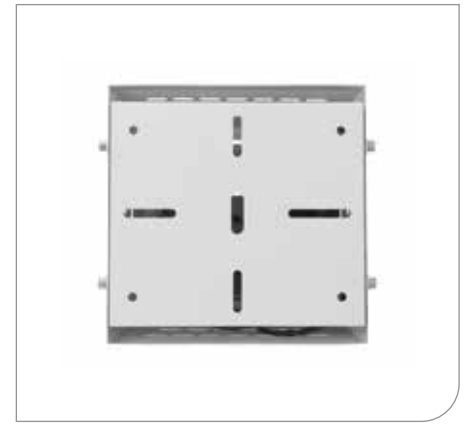
Gas Station



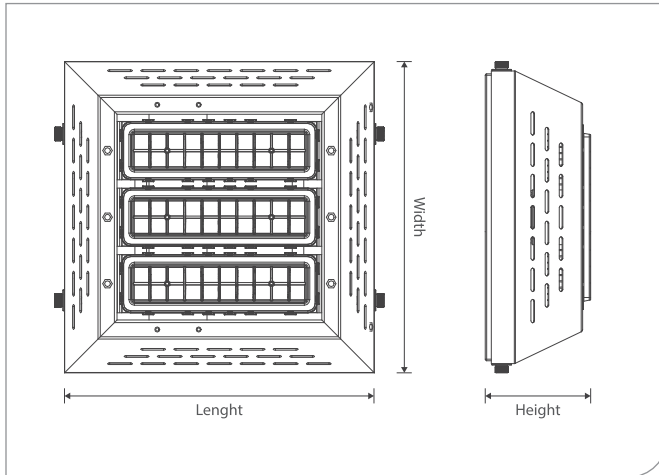
Large Industrial Hall

#### Electrical Specifications

- Rated Supply Voltage: 220-240V
- Frequency: 50/60Hz



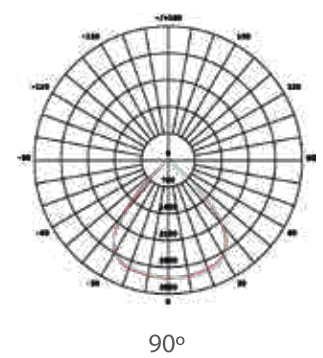
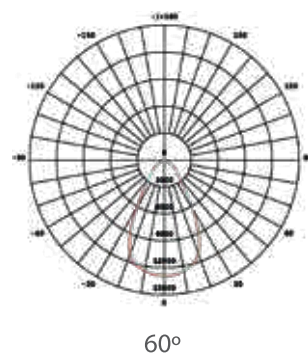
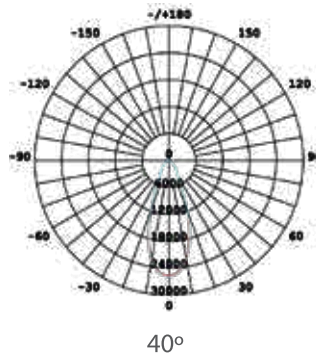
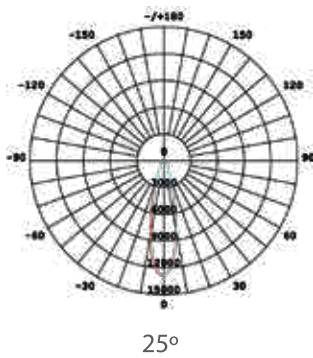
## Technical Drawing



## Dimensions

Model	Length	Width	Height
DUAPC02-50	400mm	375mm	135mm
DUAPC02-100	400mm	375mm	135mm
DUAPC02-150	400mm	375mm	135mm
DUAPC02-200	400mm	375mm	135mm

## Photometric Diagrams



## Technical Specifications

Model	Power [W]	LED type	Luminous flux [lm]	Luminous efficacy [lm/W]	CCT [K]	Beam angle	CRI [Ra]
DUAPC02-50	50W	SMD LEDs	8500 lm	170 lm/W	3000K 4000K 6500K	25°	>70
DUAPC02-100	100W		17000 lm			40°	
DUAPC02-150	150W		25500 lm			60°	
DUAPC02-200	200W		34000 lm			90°	



# BULKHEADS



Bello Beco

BULKHEADS



DUBEB101

Body Color:



DUBEB201

Body Color:



DUBEB301

Body Color:

#### Description

Bello Beco, LED Bulkhead, uses SMD LEDs for outdoor applications. Housing is made of corrosion proof, polycarbonate material. Luminaire uses Opal PC diffuser providing uniform light.

#### Product Features

- SMD LEDs
- Built-in LED driver
- Working temperature: -20°C to 50°C
- IP Rating: IP65
- IK Rating: IK08
- Life Span: 50,000 hours

#### Electrical Specifications

- Rated Supply Voltage: 220-240V
- Frequency: 50/60Hz

#### Applications



Corridor

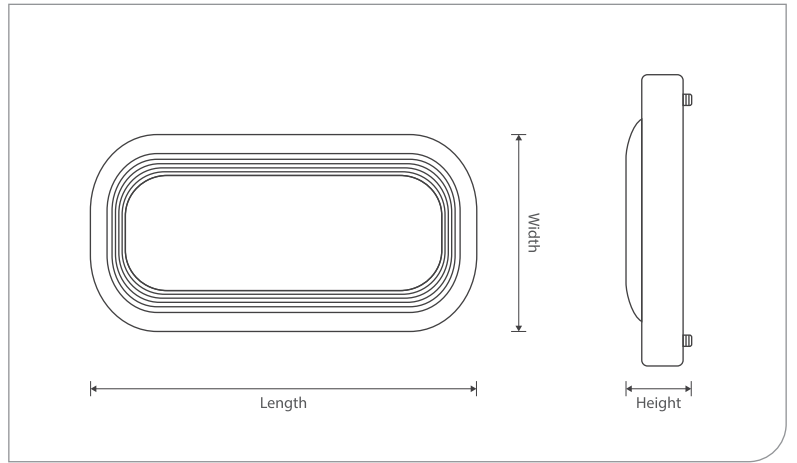
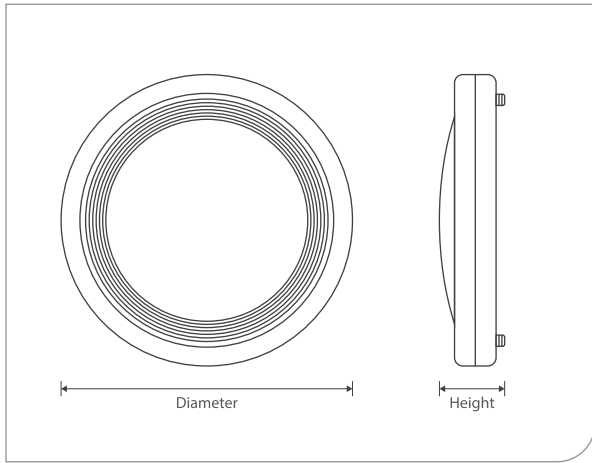


Balcony



Staircase

## Technical Drawing and Dimensions



Model	Diameter	Height
DUBEB101-08	Φ190mm	75mm
DUBEB102-15	Φ245mm	75mm
DUBEB103-20	Φ310mm	75mm
DUBEB301-08	Φ160mm	45mm
DUBEB302-18	Φ220mm	50mm

Model	Length	Width	Height
DUBEB201-08	245mm	139mm	70mm
DUBEB202-18	310mm	175mm	70mm

## Technical Specifications

Model	Power [ W ]	LED type	Luminous flux [ lm ]	Luminous efficacy [lm/W]	CCT [ K ]	Beam angle	CRI [ Ra ]
DUBEB101-08	8W	SMD LEDs	640 lm	80 lm/W	3000K	120°	>80
DUBEB102-15	15W		1200 lm				
DUBEB103-20	20W		1600 lm				
DUBEB201-08	8W		640 lm		4000K		
DUBEB202-18	18W		1440 lm				
DUBEB301-08	8W		640 lm				
DUBEB302-18	18W		1440 lm				



Bello Beco D

BULKHEADS



#### Description

Bello Beco D, LED Bulkhead, uses SMD LEDs for outdoor applications. Housing is made of Die-Cast Aluminum material. Luminaire uses Opal PC diffuser, which provides uniform light.

#### Product Features

- SMD LEDs
- Available in different housing colors
- Installation: Surface/Wall Mounted
- Working Temperature: -20°C to 50°C
- 0-1/10V dimming, DALI dimming, emergency (optional)
- IP rating: IP65
- IK rating: IK10
- Lifespan: 50,000 hours

#### Electrical Specifications

- Rated Supply Voltage: 220-240V
- Frequency: 50/60Hz

#### Applications



Corridor



Balcony



Staircase



DUBEBD401



DUBEBD501



DUBEBDSQ504

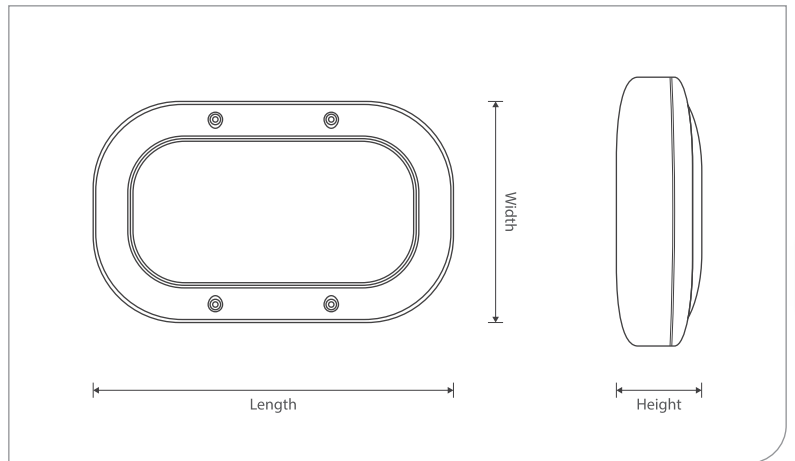
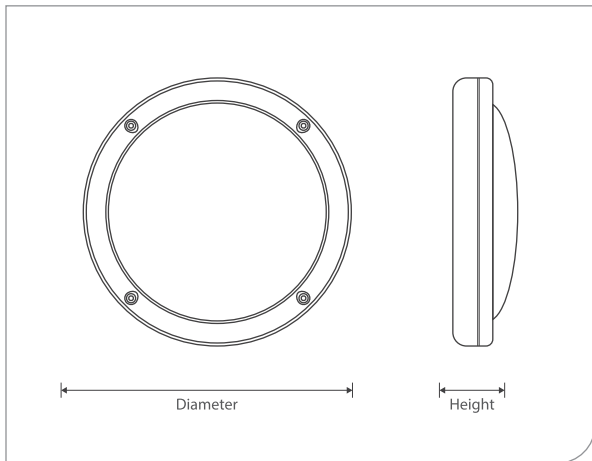


DUBEBD505



DUBEBD506

### Technical Drawing and Dimensions



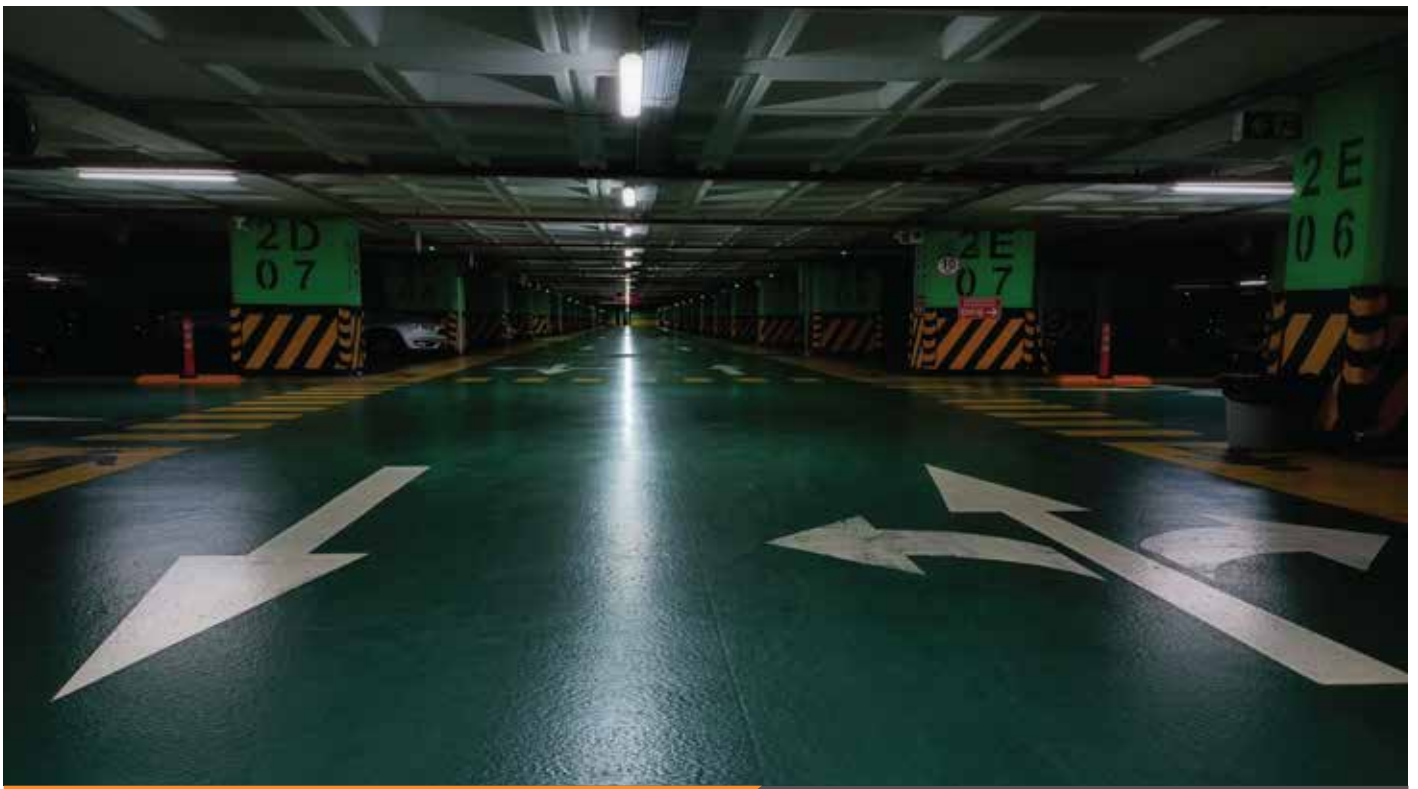
Model	Diameter	Height
DUBEBD101-15	Φ275mm	80mm
DUBEBD102-20	Φ275mm	80mm
DUBEBD103-30	Φ360mm	110mm
DUBEBDG104-20	Φ275mm	80mm
DUBEBDG105-20	Φ275mm	80mm
DUBEBD301-20	Φ300mm	85mm
DUBEBD302-30	Φ300mm	85mm
DUBEBD303-40	Φ300mm	85mm
DUBEBD401-15	Φ275mm	80mm
DUBEBD402-20	Φ275mm	80mm
DUBEBD403-30	Φ360mm	110mm

Model	Length	Width	Height
DUBEBD201-10	220mm	135mm	65mm
DUBEBD202-20	280mm	180mm	83mm
DUBEBDG203-10	220mm	135mm	70mm
DUBEBD501-20	300mm	300mm	90mm
DUBEBD502-30	300mm	300mm	90mm
DUBEBD503-40	300mm	300mm	90mm
DUBEBDSQ504-18	215mm	215mm	85mm
DUBEBD505-20	250mm	125mm	110mm
DUBEBD506-20	280mm	180mm	75mm

## Technical Specifications

Model	Power [ W ]	LED type	Luminous flux [ lm ]	Luminous efficacy [lm/W]	CCT [ K ]	CRI [ Ra ]
DUBEED101-15	15W	SMD LEDs	1350 lm	90 lm/W	3000K	>80
DUBEED102-20	20W		1800 lm			
DUBEED103-30	30W		2700 lm			
DUBEEDG104-20	20W		1800 lm			
DUBEEDG105-20	20W		1800 lm			
DUBEED201-10	10W		900 lm			
DUBEED202-20	20W		1800 lm			
DUBEEDG203-10	10W		900 lm			
DUBEED301-20	20W		1800 lm			
DUBEED302-30	30W		2700 lm			
DUBEED303-40	40W		3600 lm			
DUBEED401-15	15W		1350 lm			
DUBEED402-20	20W		1800 lm			
DUBEED403-30	30W		2700 lm			
DUBEED501-20	20W		1800 lm			
DUBEED502-30	30W		2700 lm			
DUBEED503-40	40W		3600 lm			
DUBEEDSQ504-18	18W		1620 lm			
DUBEED505-20	20W		1800 lm			
DUBEED506-20	20W		1800 lm			
					6500K	

# **WEATHERPROOF LIGHTS**



Patron® LS

## WEATHERPROOF LIGHTS



### Description

Patron LS, LED Weatherproof luminaire, uses SMD LEDs for indoor and outdoor applications. Housing is made of UV stabilized, polycarbonate body. Luminaire uses high-quality PC diffuser as a light diffusing agent.

### Product Features

- SMD LEDs
- Built-in LED driver
- Drawer type connector for easy external wiring
- Excellent replacement for traditional fittings
- Installation: Surface Mounted / Suspended
- Available with Motion Sensor / Micro Wave Sensor
- Stainless steel mounting clips
- Working temperature: -20°C to 50°C
- 0-1/10V dimming, DALI dimming, emergency (optional)
- IP rating: IP65
- IK rating: IK08
- Life-span: 50,000 hours



### Applications



Stores & Supermarkets



Parkings



Cold Storage Rooms

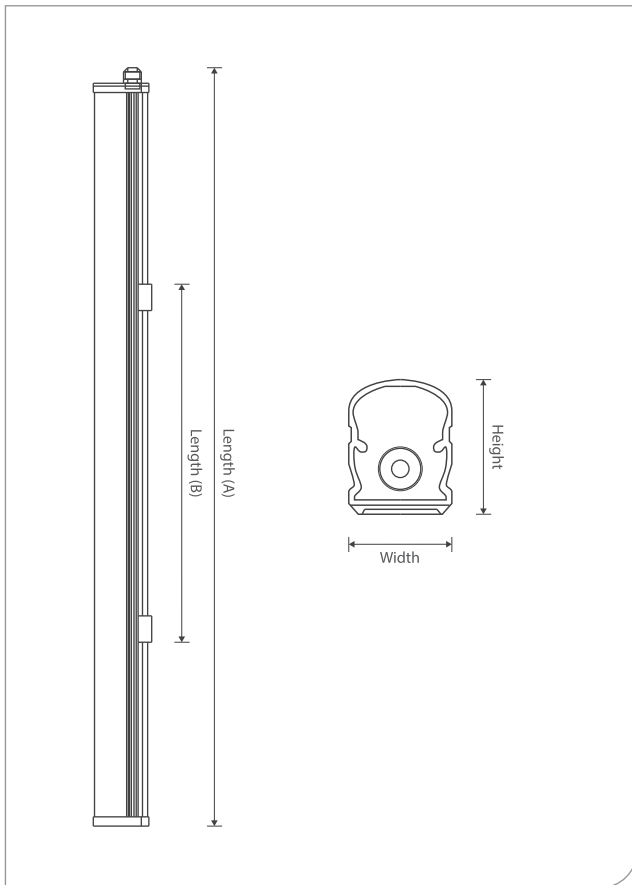


Warehouses

### Electrical Specifications

- Rated Supply Voltage: 220-240VAC
- Frequency: 50/60Hz

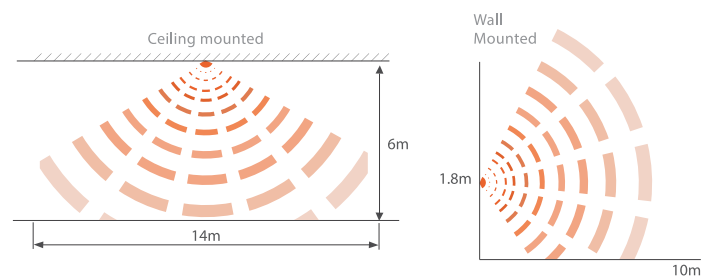
## Technical Drawing



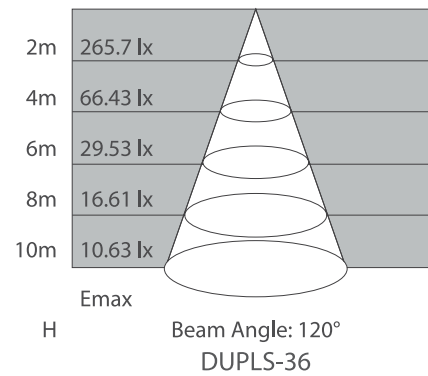
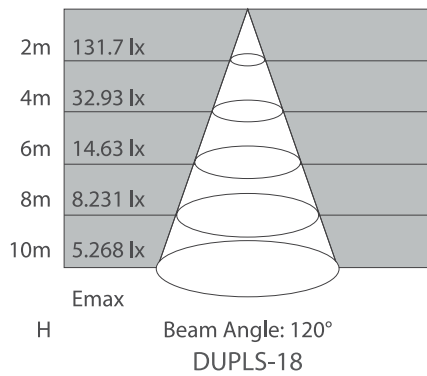
## Dimensions

Model	Length (A)	Length (B)	Width	Height
DUPLS-18	656mm	300mm	64mm	76mm
DUPLS-36	1256mm	600mm	64mm	76mm
DUPLS-48	1556mm	750mm	64mm	76mm
DUPLS-18-M	656mm	300mm	74mm	64mm
DUPLS-36-M	1221mm	600mm	74mm	64mm
DUPLS-48-M	1502mm	750mm	74mm	64mm

## Detection Area



## Photometric Diagrams



## Technical Specifications

Model	Power [W]	LED type	Luminous flux [lm]	Luminous efficacy [lm/W]	CCT [K]	Beam angle	CRI [Ra]
DUPLS-18	18W	SMD LEDs	2340 lm	130 lm/W	3000K 4000K 6500K	120°	>80
DUPLS-36	36W		4680 lm				
DUPLS-48	48W		6240 lm				
DUPLS-18-M	18W		2340 lm			160°	
DUPLS-36-M	36W		4680 lm				
DUPLS-48-M	48W		6240 lm				



Patron® LS Pro

## WEATHERPROOF LIGHTS



### Description

Patron LS Pro, LED Weatherproof luminaire, uses SMD LEDs for indoor and outdoor applications. Housing is made of aluminum material. Luminaire uses high-quality PC diffuser as a light diffusing agent.

### Product Features

- SMD LEDs
- Excellent replacement for traditional fittings
- Installation: Surface Mounted/ Wall mounted
- Working temperature: -20°C to 50°C
- 0-1/10V dimming, DALI dimming, emergency (optional)
- IP Rating: IP65
- Life-Span: 50,000 hours

### Electrical Specifications

- Rated Supply Voltage: 220-240VAC
- Frequency: 50/60Hz

### Applications



Supermarkets



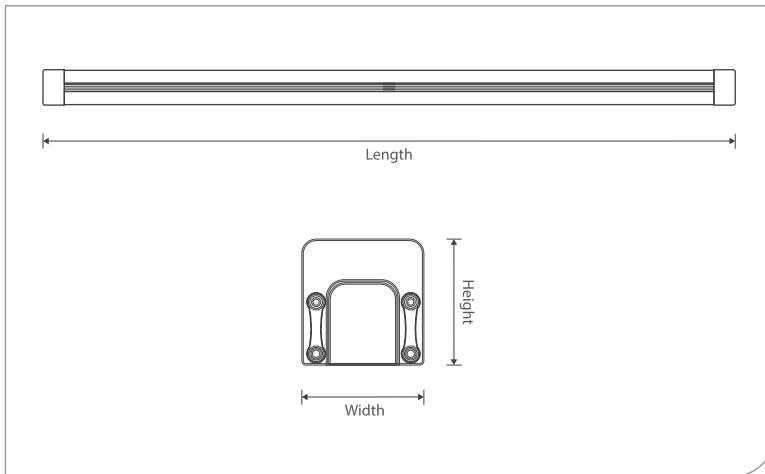
Cold Storages



Parkings



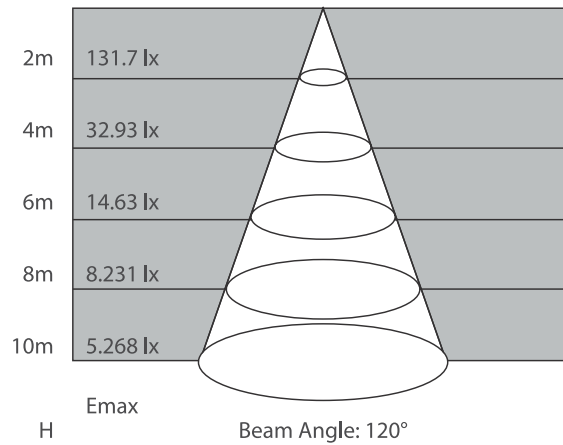
## Technical Drawing



## Dimensions

Model	Length	Width	Height
DUPLSPRO-18	635mm	90mm	75mm
DUPLSPRO-36	1270mm	90mm	75mm
DUPLSPRO-45	1588mm	90mm	75mm

## Light Distribution Curve



## Technical Specifications

Model	Power [W]	LED type	Luminous flux [lm]	Luminous efficacy [lm/W]	CCT [K]	Beam angle	CRI [Ra]
DUPLSPRO-18	18W	SMD LEDs	2160 lm	120 lm/W	3000K	120°	>80
DUPLSPRO-36	36W		4320 lm		4000K		
DUPLSPRO-45	45W		5400 lm		6000K		



Patron® L8

## WEATHERPROOF LIGHTS



### Description

Patron L8, LED Weatherproof luminaire, uses LED tubes or LED modules for indoor and outdoor applications. Housing is made of UV stabilized, polycarbonate body and white-coated flat plate. Luminaire uses UV stabilized, polycarbonated impact resistance diffuser.

### Product Features

- DuLight LED tube [Snowite], OSRAM LED tube, TRIDONIC LLE modules
- Optional Prismatic or PC transparent diffuser
- Working temperature: -20°C to 50°C
- Installation: Surface Mounted / Pendant
- 0-1/10V dimming, DALI dimming, emergency (optional)
- IP rating: IP65
- IK rating: IK08
- Life-span: 50,000 hours



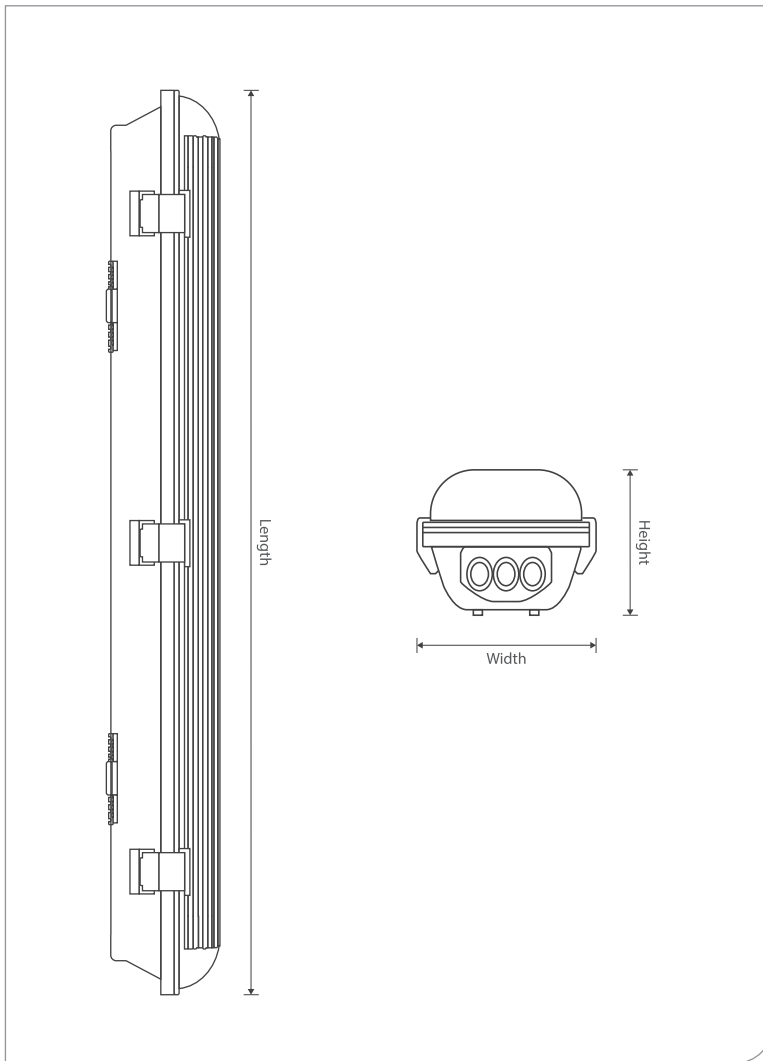
### Electrical Specifications

- Rated Supply Voltage: 220-240VAC
- Frequency: 50/60Hz

### Applications



## Technical Drawing



## Dimensions

Model	Length	Width	Height
DUP80-19	660mm	95mm	96mm
DUP80-29	660mm	145mm	96mm
DUP80-118	1270mm	95mm	96mm
DUP80-218	1270mm	145mm	96mm
DUP8D-19	660mm	95mm	96mm
DUP8D-29	660mm	145mm	96mm
DUP8D-118	1270mm	95mm	96mm
DUP8D-218	1270mm	145mm	96mm
DUP8T23	1270mm	95mm	96mm
DUP8T46	1270mm	145mm	96mm

## Technical Specifications

Model	Power [ W ]	Driver	Light source	Diffuser	Luminous flux per lam [ lm ]	Luminous flux efficacy [ lm/W ]	CCT [ K ]
DUP80-19	1x9W	Built-in LED driver	OSRAM LED Tube	PC Diffuser	800 lm	88 lm/W	3000K 4000K 6000K
DUP80-29	2x9W				800 lm	88 lm/W	
DUP80-118	1x18W				1700 lm	94 lm/W	
DUP80-218	2x18W				1700 lm	94 lm/W	
DUP8D-19	1x9W		DuLight LED Tube		855 - 900 lm	95 lm/W	
DUP8D-29	2x9W				855 - 900 lm	95 lm/W	
DUP8D-118	1x18W				1710 - 1800 lm	95 lm/W	
DUP8D-218	2x18W				1710 - 1800 lm	95 lm/W	
DUP8T23	2x11.5W	TRIDONIC LED driver	2x TRIDONIC LLE	1320 lm	115 lm/W		
DUP8T46	4x11.5W			1320 lm	115 lm/W		



# LANDSCAPE LIGHTS



## Apricum® Lspot

## LANDSCAPE LIGHTS



DUPL



DUPL01



DUPL08



DUPL02

### Description

Apricum Lspot, uses COB/SMD LED and built-in LED driver for outdoor applications. Housing is made of Die-Cast Aluminum. Luminaire uses pure aluminum reflector/PC lens.

### Product Features

- COB/SMD LED
- Built-in LED Driver
- High-quality glass diffuser
- Working Temperature: -20°C to 50°C
- Installation: Surface Mounted/Inground
- 0-1/10V dimming, DALI dimming (optional)

- IP rating: IP65
- IP rating: IK08
- Lifespan: 50,000 hours

### Electrical Specifications

- Rated Supply Voltage: 220-240V
- Frequency: 50/60Hz

### Applications



Landscape Lighting



Gardens

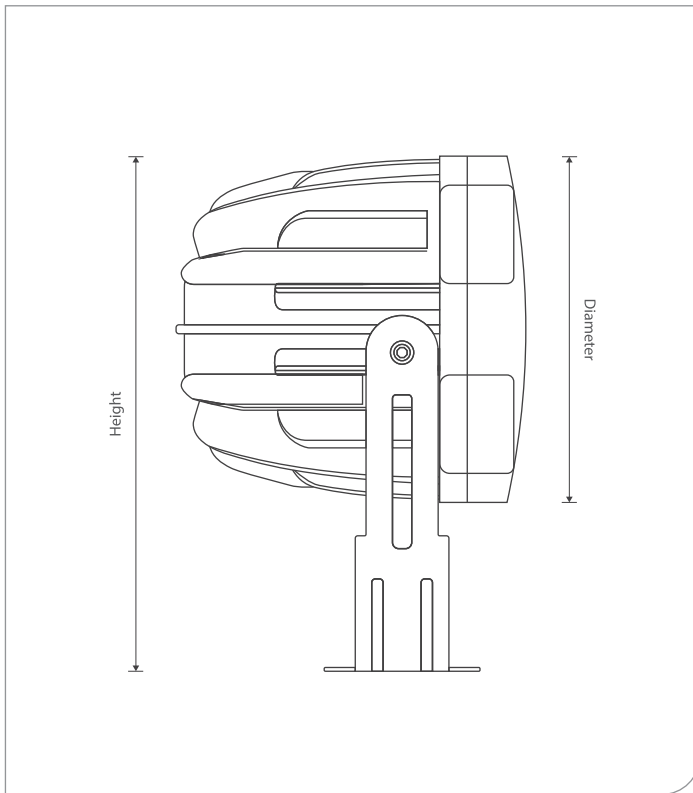


Facade Lighting



Parks

## Technical Drawing



## Dimensions

Model	Diameter	Height
DUPL-10	Φ 85mm	135mm
DUPL-20	Φ 112mm	170mm
DUPL-30	Φ 150mm	205mm
DUPL-50	Φ 230mm	285mm
DUPL08-10	Φ 85mm	128mm
DUPL08-25	Φ 130mm	180mm
DUPL08-50	Φ 175mm	190mm
DUPL08-75	Φ 220mm	226mm
DUPL01-12	Φ 95mm	80mm
DUPL01-27	Φ 115mm	100mm
DUPL02-12	Φ 95mm	205mm
DUPL02-27	Φ 115mm	100mm

## Technical Specifications

Model	Power [ W ]	LED type	Luminous flux [ lm ]	Luminous efficacy [lm/W]	CCT [ K ]	Beam angle	CRI [ Ra ]
DUPL-10	10W	COB/SMD LED	850 lm	85 lm/W	3000K 4000K 6500K	15° 24°	>80
DUPL-20	20W		1700 lm				
DUPL-30	30W		2550 lm				
DUPL-50	50W		4250 lm				
DUPL08-10	10W		850 lm			15° 25° 40° 60°	
DUPL08-25	25W		2125 lm				
DUPL08-50	50W		4250 lm				
DUPL08-75	75W		6375 lm				
DUPL01-12	12W		1200 lm			30°	
DUPL01-27	27W		2700 lm				
DUPL02-12	12W		1200 lm				
DUPL02-27	27W		2700 lm				



Apricum® LW

LANDSCAPE LIGHTS



DUAPLW07

#### Description

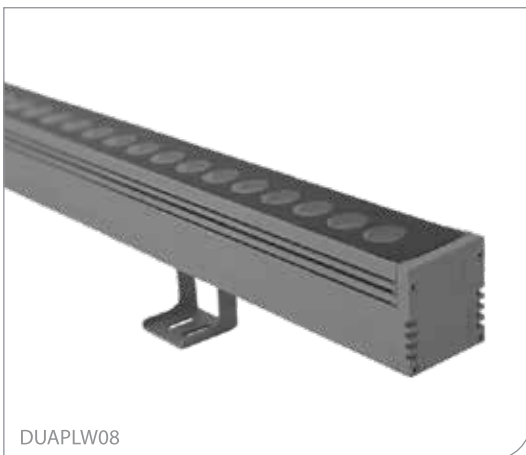
Apricum LW, LED Wall Washer, uses high power SMD LEDs and built-in LED driver for outdoor applications. Housing is made of Die-Cast Aluminium with powder coating. Luminaire uses PC lens and high quality glass diffuser.

#### Product Features

- High power SMD LEDs
- Built-in LED driver
- PC lens offers different light distributions
- Available in RGB and RGBW controlled with DMX
- Adjustable steel brackets for installation
- Installation: Surface Mounted/Inground
- Working temperature:-20°C to 50°C
- 0-1/10V dimming, DALI dimming (optional)
- IP Rating: IP65/IP67
- Life Span: 50,000 hours

#### Electrical Specifications

- Rated Supply Voltage: 220-240V
- Frequency: 50/60Hz

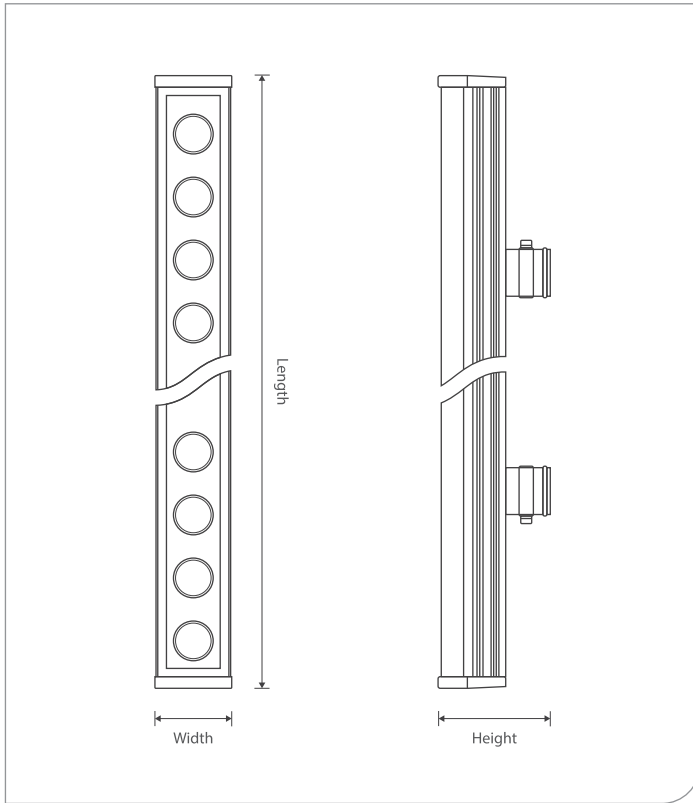


DUAPLW08

#### Applications

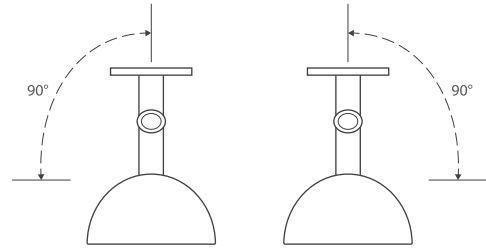
-  Building Facade
-  Landscape Lighting
-  Bridges
-  Parks

## Technical Drawing



## Dimensions

Model	Length	Width	Height
DUAPLW07-18	500mm	63mm	83mm
DUAPLW07-36	1000mm	63mm	83mm
DUAPLW08-18	500mm	48mm	55mm
DUAPLW08-36	1000mm	48mm	55mm



Adjustable beam directions

## Technical Specifications

Model	Power [W]	Driver	LED type	No. of LEDs	Luminous flux [lm]	Luminous efficacy [lm/W]	CCT [K]	Beam angle	CRI [Ra]
DUAPLW07-18	18W	Built-in LED driver	High Power LEDs	18	1440 lm	80 lm/W	3000K	8.5°	>80
DUAPLW07-36	36W			4000K	15°				
DUAPLW08-18	18W			6500K	20°				
DUAPLW08-36	36W			RGB	30°				
				36	2880 lm		RGBW-DMX	45°	
								60°	



## Flexible Wall Washer

## LANDSCAPE LIGHTS



### Description

Flexible Wall Washer, uses SMD LEDs for outdoor applications. Housing is made of silicone material.

### Product Features

- SMD LEDs
- Good attenuation performance
- Good flexibility
- Bending diameter: 300mm
- Maximum Reach distance: 2.5m
- Working Temperature: -20°C to 50°C
- Material: Silicone
- 0-1/10V dimming, DALI dimming (optional)
- IP Rating: IP67
- Life Span: 50,000 hours

### Applications

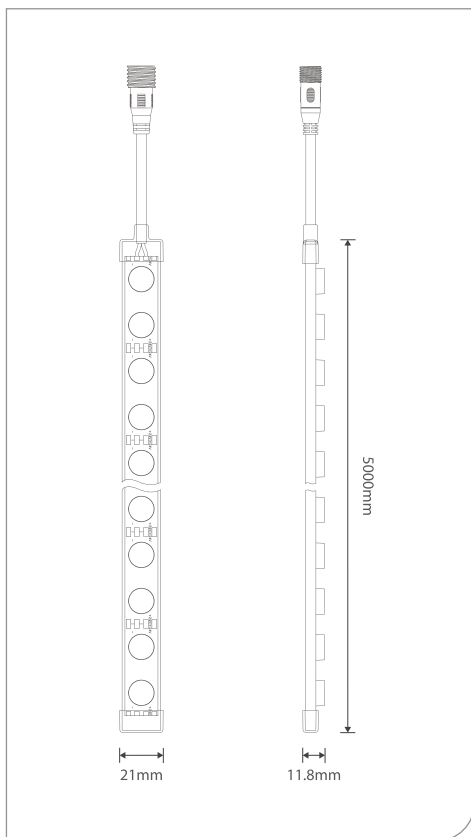


Building Facade



Landscape Lighting

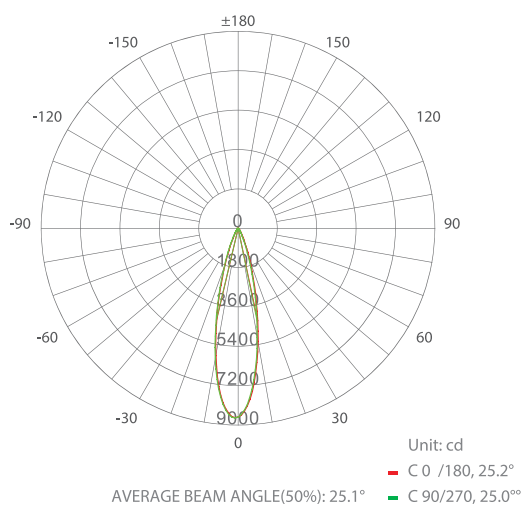
## Technical Drawings & Dimensions



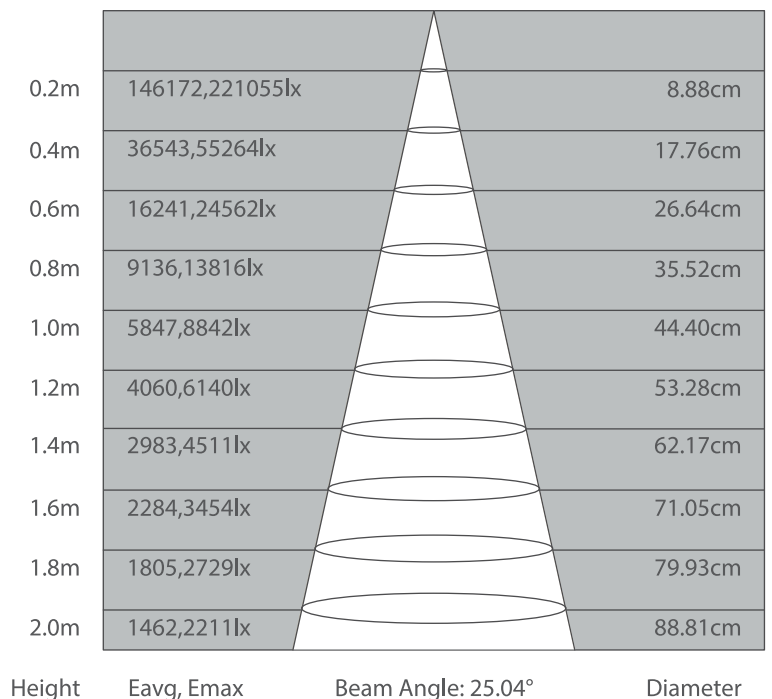
## Technical Specifications

Model	DU-FWT-FO2835-40-24-14.4-21mm			
Input Voltage	24VDC			
Min Cut	50mm			
Max Power	14.4W/m			
Lumens	1410 lm/m	1440 lm/m	1510 lm/m	1440 lm/m
CCT	2700K	3000K	4000K	6500K
LED Qty	40pcs/Meter			
CRI	Ra>80			
Beam Angle	15°, 30°, 45°, 60°			
IP Rating	IP67			
Length	5000mm			
Width	21mm			
Height	11.8mm			
Cutting Unit	50mm			

## Photometric Diagram & Light Distribution Curve



Flux Out: 979.0lm





## Bollard

## LANDSCAPE LIGHTS



### Description

Bollard, uses SMD or COB LED and built-in LED driver for outdoor applications. Housing is made of Die-Cast Aluminum.

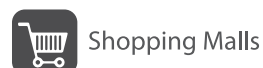
### Product Features

- COB or SMD LED
- Built-in LED Driver
- Stylish design with uniform light output
- Installation: Surface Mounted
- 0-1/10V dimming, DALI dimming (optional)
- IP rating: IP65
- Life span: 50,000 hours

### Electrical Specifications

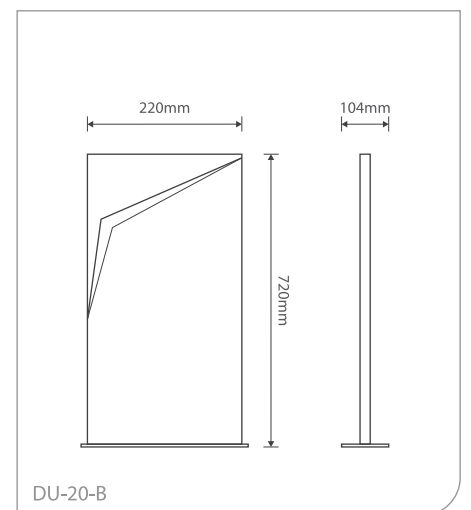
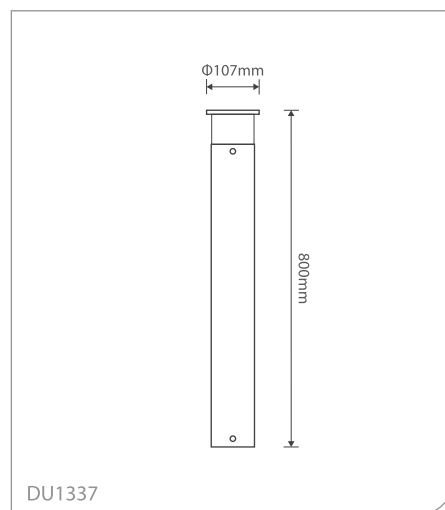
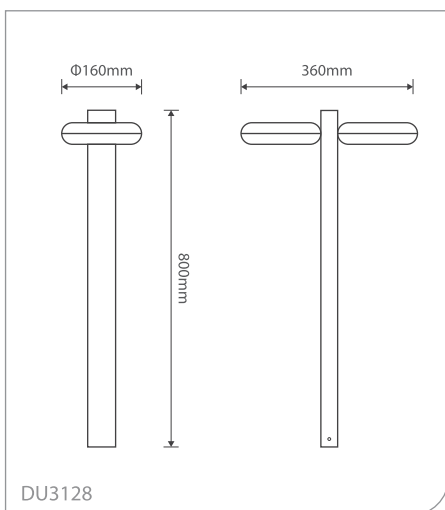
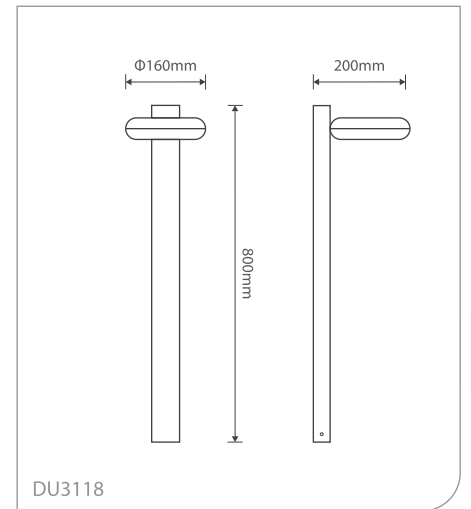
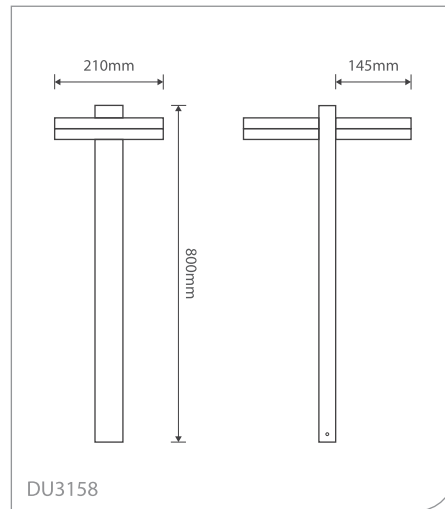
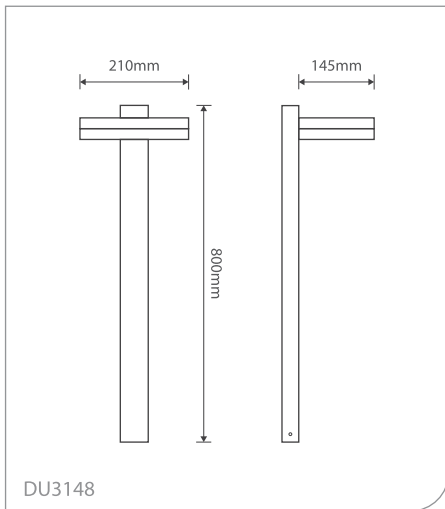
- Rated Supply Voltage: 220-240V
- Frequency: 50/60Hz

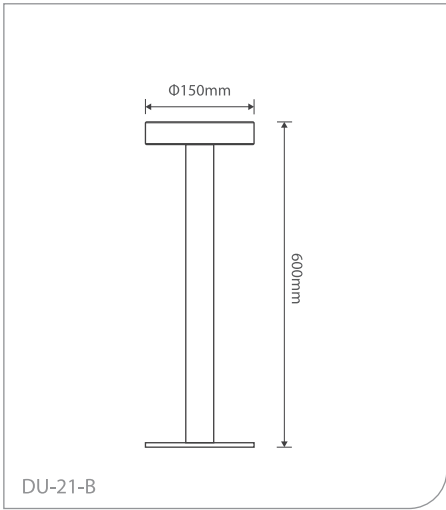
### Applications



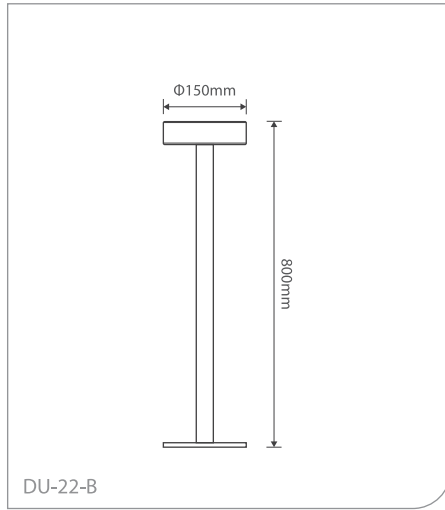


**Technical Drawings & Dimensions**

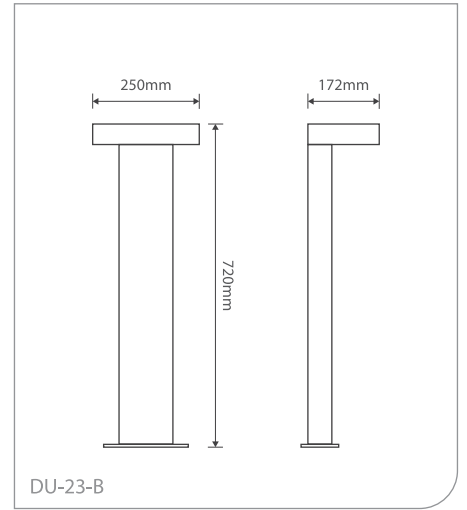




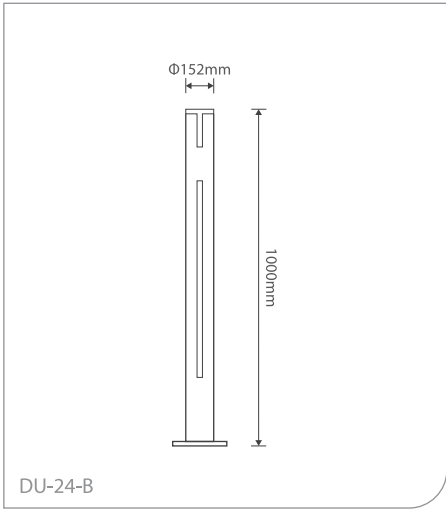
DU-21-B



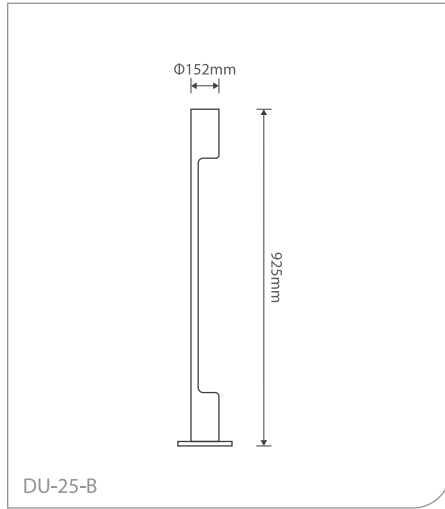
DU-22-B



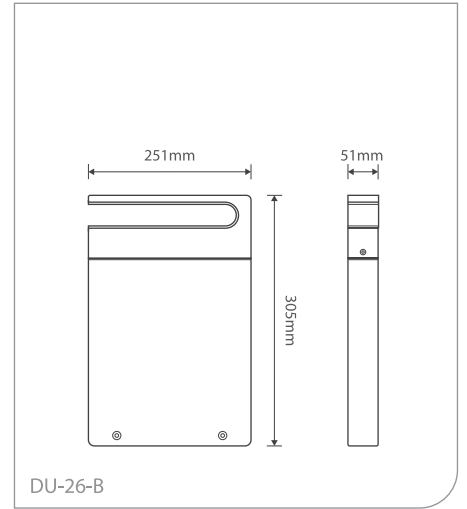
DU-23-B



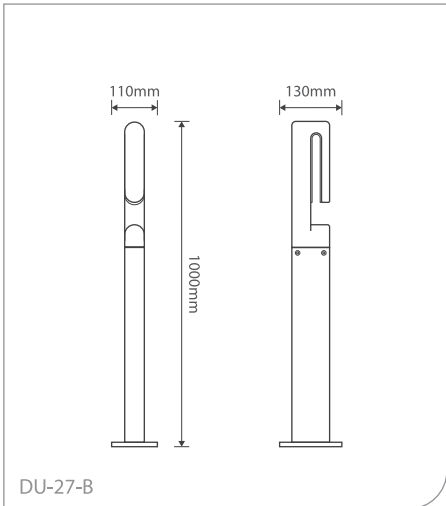
DU-24-B



DU-25-B



DU-26-B



DU-27-B



### Technical Specification

Model	Power [ W ]	LED type	Luminous flux [ lm ]	Luminous efficacy [lm/W]	CCT [ K ]	Beam angle	CRI [ Ra ]
DU3148-12	12W	COB/SMD LED	1000 lm	83 lm/W	3000K 4000K 6500K	120°	>80
DU3158-24	2x12W		2000 lm	83 lm/W			
DU3118-12	12		960 lm	80 lm/W			
DU3128-24	2x12W		1965 lm	82 lm/W			
DU1337-09	9W		720 lm	80 lm/W			
DU-20-B	8W		165 lm	20 lm/W			
DU-21-B	11W		325 lm	30 lm/W			
DU-22-B	11W		325 lm	30 lm/W			
DU-23-B	11W		400 lm	36 lm/W			
DU-24-B	11W		440 lm	40 lm/W			
DU-25-B	8W		345 lm	43 lm/W			
DU-26-B	11W		370 lm	33 lm/W			
DU-27-B	11W		335 lm	30 lm/W			



## Buried Light

## LANDSCAPE LIGHTS



### Description

Buried Light, uses high power SMD LEDs and built-in LED driver for outdoor applications. Housing is made of Die-Cast Aluminum with stainless steel surface ring.

### Product Features

- High power SMD LEDs
- Built-in LED driver
- Tempered glass diffuser
- High-quality PC lens
- Working temperature: -20°C to 50°C
- Installation: Recessed in ground
- 0-1/10V dimming, DALI dimming (optional)
- IP rating: IP67
- Life span: 50,000 hours

### Electrical Specifications

- Rated Supply Voltage: 220-240V
- Frequency: 50/60Hz

### Applications



Shopping Malls



Walkways

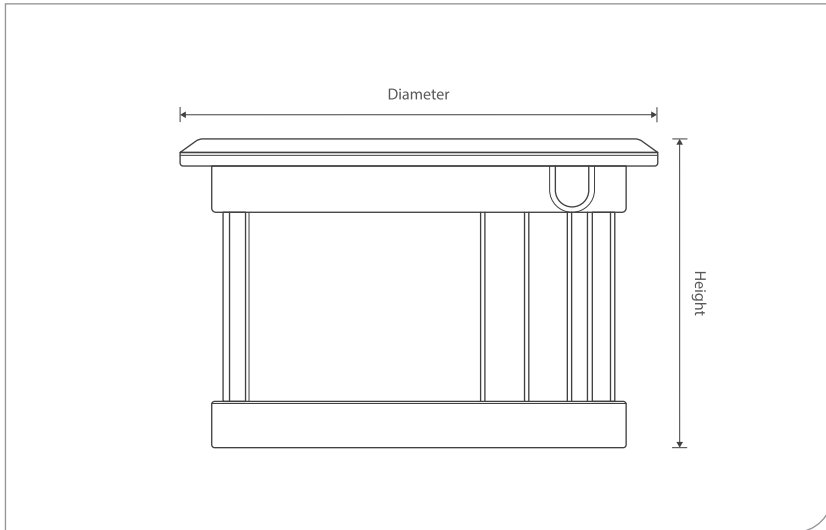


Gardens





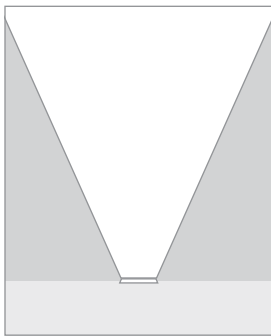
### Technical Drawing



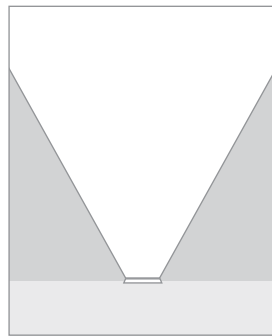
### Dimensions

Model	Diameter	Height
DUBL-09	Φ150mm	92mm
DUBL-12	Φ160mm	93mm
DUBL-24	Φ220mm	93mm

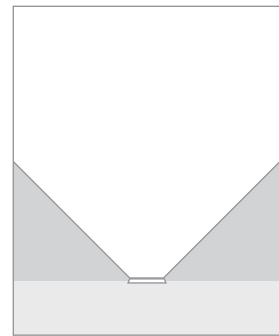
### Beam Angle Options



15°



30°



45°

### Technical Specifications

Model	Power [W]	LED type	No. of LEDs	Luminous flux [lm]	Luminous efficacy [lm/W]	CCT [K]	Beam angle	CRI [Ra]
DUBL-09	9W	High Power LEDs	9	720 lm	80 lm/W	3000K	15°	>80
DUBL-12	12W		12	960 lm		4000K	30°	
DUBL-24	24W		12	1920 lm		6500K RGB	45° 60° 90°	



## Pole Lights

## LANDSCAPE LIGHTS



### Description

Pole Lights, uses SMD LED for outdoor applications. Housing is made of Die-Cast Aluminum.

### Product Features

- SMD LEDs
- Built-in LED Driver
- Optical grade PMMA lamp shades
- Double photometric diffuser technology
- Installation: Pole Mounted
- 0-1/10V dimming, DALI dimming (optional)
- IP Rating: IP65
- Life span: 50,000 hours

### Electrical Specifications

- Rated Supply Voltage: 220-240V
- Frequency: 50/60Hz

### Applications

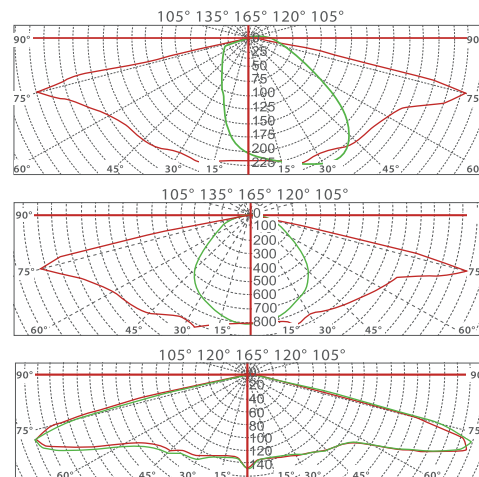
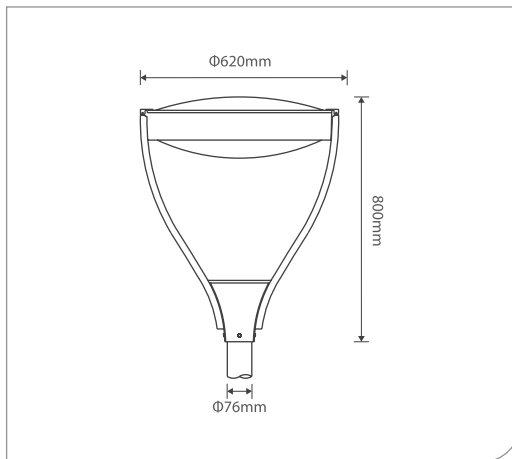


Landscape Lighting



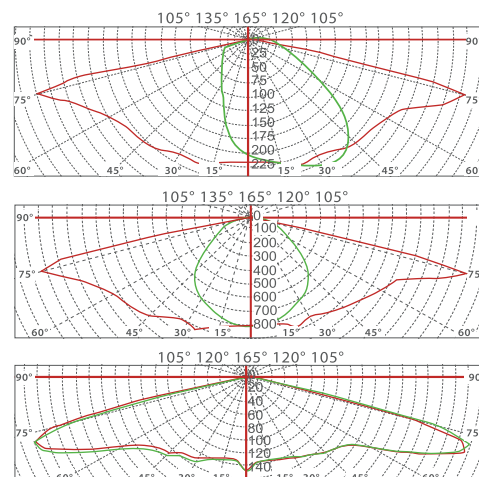
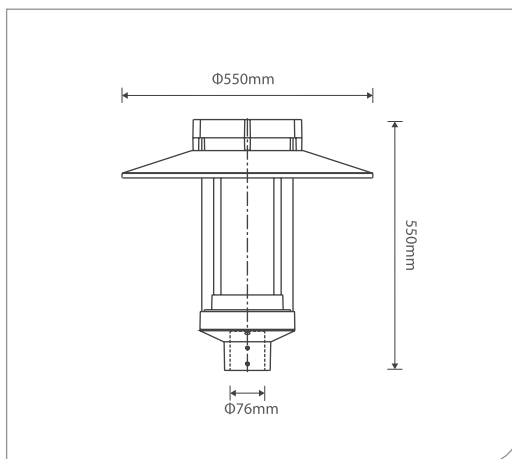
Gardens

## DULED-6102



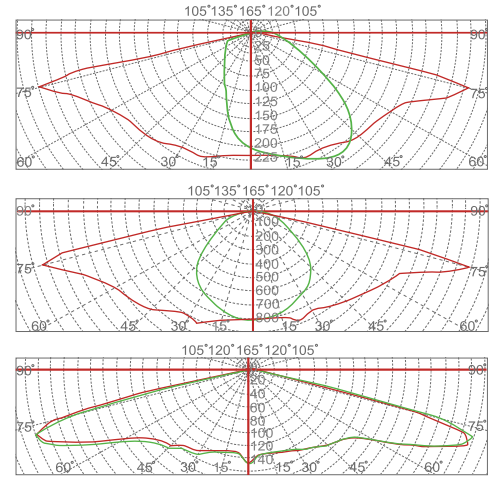
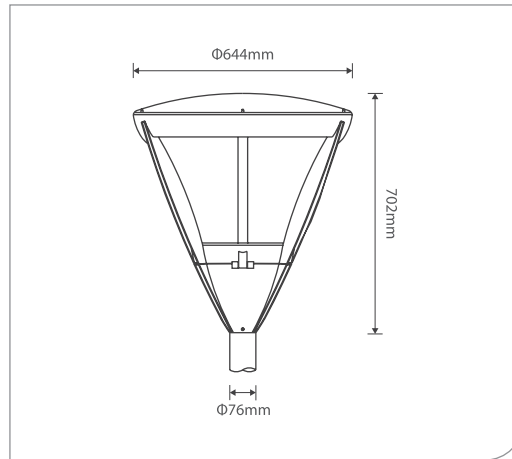
Model	Power [W]	LED type	Luminous flux [lm]	Luminous efficacy [lm/W]	CCT [K]	CRI [Ra]
DULED-6102-35	35W	SMD LEDs	3710 lm	106 lm/W	3000K	>80
DULED-6102-45	45W		4770 lm			
DULED-6102-55	55W		5830 lm			
DULED-6102-60	60W		6360 lm			
DULED-6102-75	75W		7950 lm			

## DULED-6107



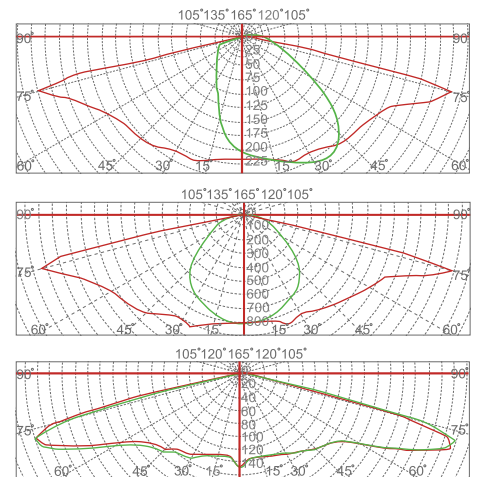
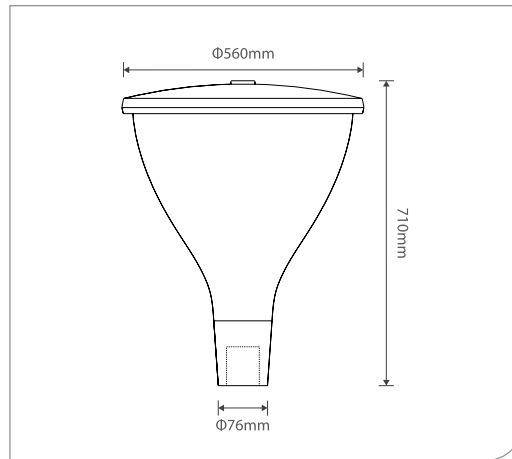
Model	Power [W]	LED type	Luminous flux [lm]	Luminous efficacy [lm/W]	CCT [K]	CRI [Ra]
DULED-6107-20	20W	SMD LEDs	2320 lm	116 lm/W	3000K	>80
DULED-6107-30	30W		3480 lm			
DULED-6107-40	40W		4640 lm			
DULED-6107-55	55W		6380 lm			

## DULED-6109



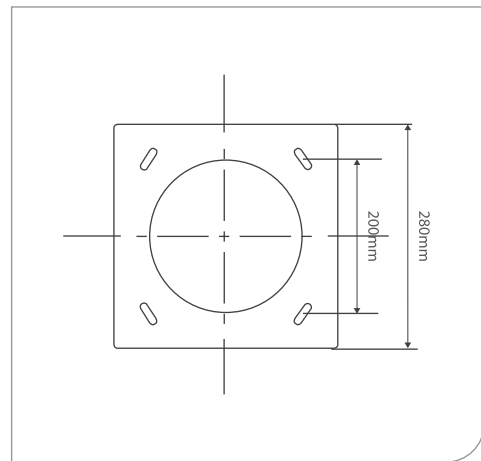
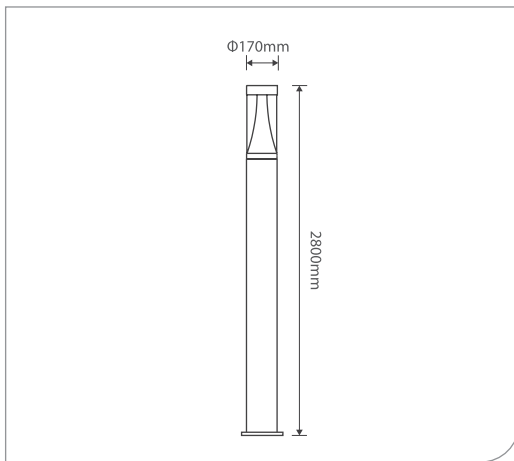
Model	Power [W]	LED type	Luminous flux [lm]	Luminous efficacy [lm/W]	CCT [K]	CRI [Ra]
DULED-6109-35	35W	SMD LEDs	3710 lm	106 lm/W	3000K	>80
DULED-6109-45	45W		4770 lm			
DULED-6109-55	55W		5830 lm			
DULED-6109-60	60W		6360 lm			
DULED-6109-75	75W		7950 lm			

## DULED-6135



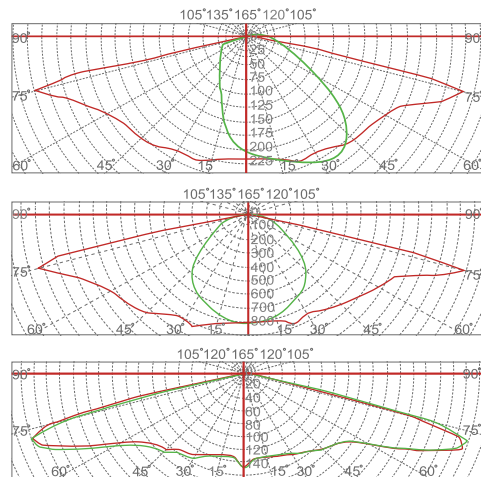
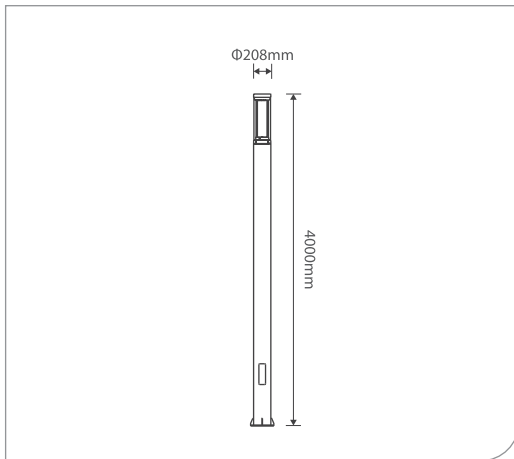
Model	Power [W]	LED type	Luminous flux [lm]	Luminous efficacy [lm/W]	CCT [K]	CRI [Ra]
DULED-6135-35	35W	SMD LEDs	4200 lm	120 lm/W	3000K	>80
DULED-6135-45	45W		5400 lm			
DULED-6135-55	55W		6600 lm			
DULED-6135-60	60W		7200 lm			
DULED-6135-75	75W		9000 lm			

**DULED-6307**



Model	Power [W]	LED type	Luminous flux [lm]	Luminous efficacy [lm/W]	CCT [K]	CRI [Ra]
DULED-6307-30	30W	SMD LEDs	3000 lm	100 lm/W	3000K 4000K 6500K	>80

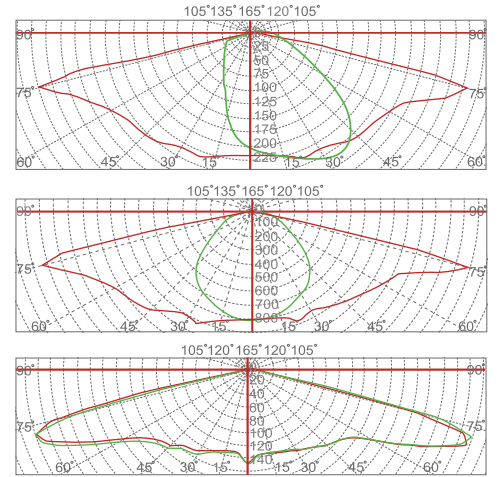
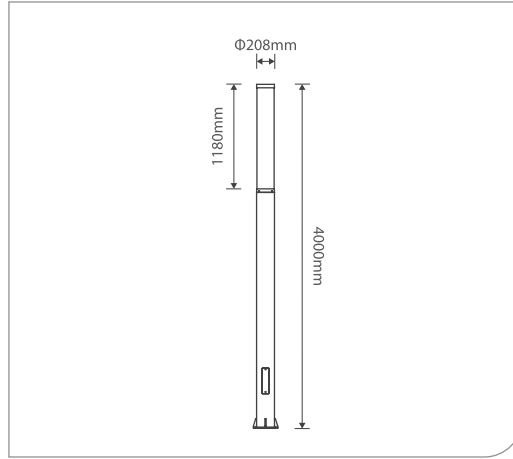
**DULED-6308**



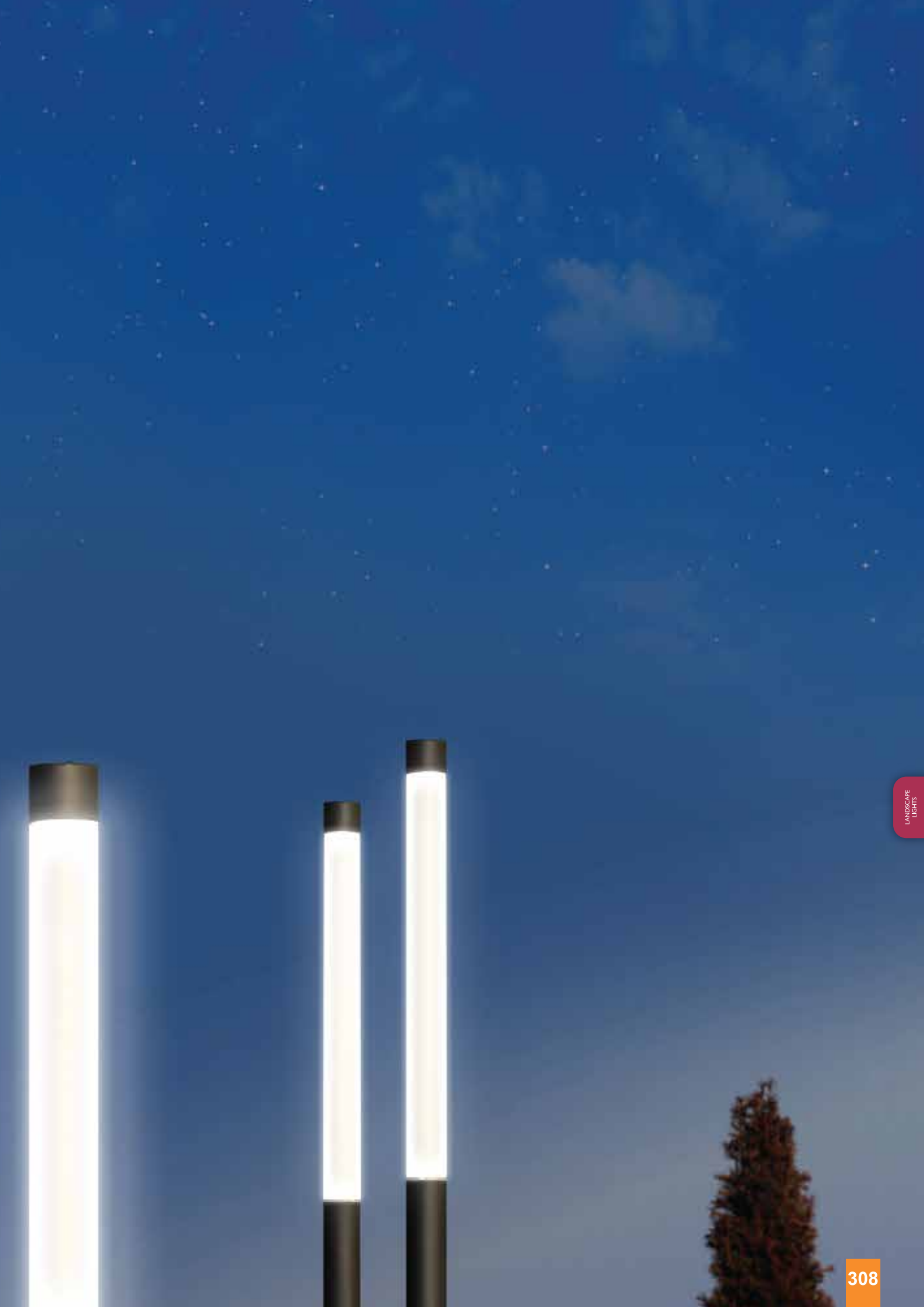
Model	Power [W]	LED type	Luminous flux [lm]	Luminous efficacy [lm/W]	CCT [K]	CRI [Ra]
DULED-6308-20	20W	SMD LEDs	2320 lm	116 lm/W	3000K	>80
DULED-6308-30	30W		3480 lm		4000K	
DULED-6308-40	40W		4640 lm		6500K	
DULED-6308-55	55W		6380 lm			

LANDSCAPE LIGHTS

**DULED-6309**



Model	Power [ W ]	LED type	Luminous flux [ lm ]	Luminous efficacy [lm/W]	CCT [ K ]	CRI [ Ra ]
DULED-6309-45	45W	SMD LEDs	5050 lm	112 lm/W	3000K	>80
DULED-6309-60	60W		6600 lm	110 lm/W	6500K	





## Pole Washer

## LANDSCAPE LIGHTS



### Description

Pole Washer, uses SMD LEDs and built-in LED driver for outdoor applications. Housing is made of Die-Cast Aluminum.

### Product Features

- SMD LEDs
- Built-in LED Driver
- Stylish arc design with steel clips
- Customized lense to provide wide distribution
- Installation: Surface/Pole/Ring Mounted
- 0-1/10V dimming, DALI dimming (optional)
- IP Rating: IP65
- Life-span: 50,000 hours

### Electrical Specifications

- Rated Supply Voltage: 220-240V
- Frequency: 50/60Hz

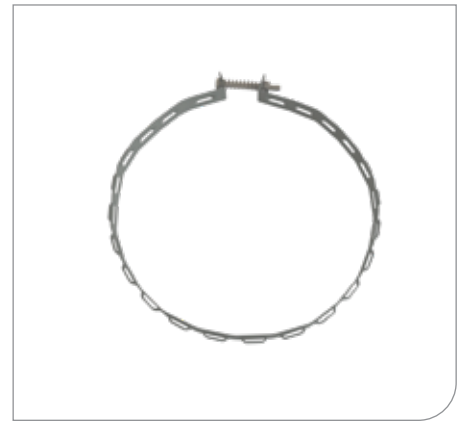
### Applications



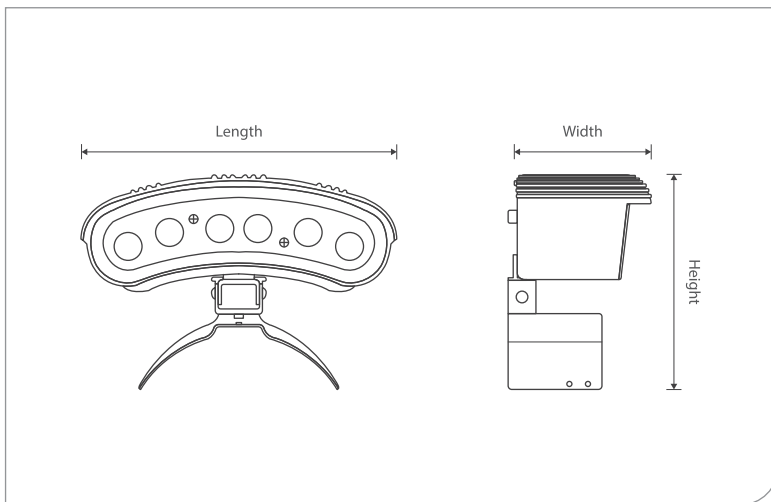
Pathways & around poles



Facade Lighting



### Technical Drawing



### Dimensions

Model	Length	Width	Height
DU-930-03	96mm	112mm	110mm
DU-931-06	120mm	112mm	130mm
DU-932-06	173mm	112mm	116mm
DU-933-12	220mm	112mm	116mm

### Technical Specifications

Model	Power [W]	LED type	Luminous flux [lm]	Luminous efficacy [lm/W]	Beam angle	CCT [K]	CRI [Ra]
DU-930-03	3W	SMD LED	240 lm	80 lm/W	8.5°	3000K	>80
DU-931-06	6W		480 lm		15°	4000K	
DU-932-06	6W		480 lm		20°	6500K	
DU-933-12	12W		960 lm		30°	RED	
					45°	GREEN	
					60°	BLUE	



## Roll Over Light

## LANDSCAPE LIGHTS



Housing Color:

### Description

Roll Over Light, uses SMD LEDs for outdoor applications. Housing is made of Die-Cast Aluminum with powder color coating. Luminaire uses UV stabilized PC diffuser.

### Product Features

- SMD LEDs
- Built-in LED driver
- Robust housing with drive over feature
- Available in 3 different shapes (One, two and four side lights)

- Installation: Surface mount / In-ground
- Working temperature: -20°C to 50°C
- 0-1/10V dimming, DALI dimming (optional)
- IP rating: IP67
- IK rating: IK10
- Life span: 50,000 hours

### Electrical Specifications

- Rated Supply Voltage: 220-240V
- Frequency: 50/60Hz

### Applications



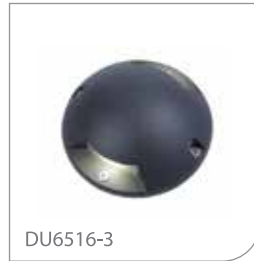
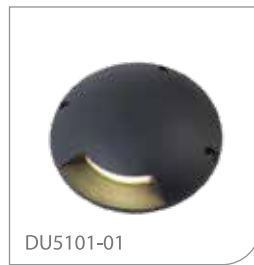
Shopping Mall Entrance



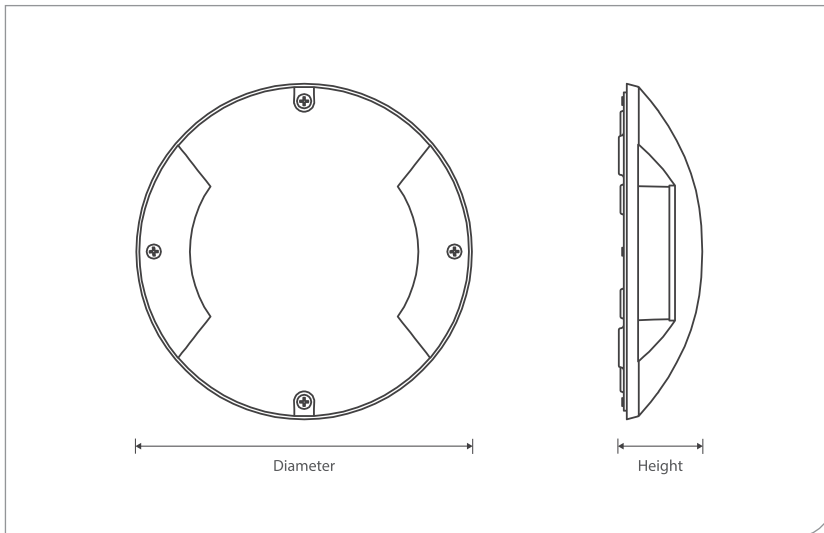
Landscape Lighting



Garage



### Technical Drawing



### Dimensions

Model	Diameter	Height
DU5101-01	Ø210mm	54mm
DU5102-02	Ø210mm	54mm
DU5103-04	Ø210mm	54mm
DU6516-3	Ø150mm	53mm
DU6517-3	Ø150mm	53mm

### Technical Specifications

Model	Power [W]	LED type	Luminous flux [lm]	Luminous efficacy [lm/W]	CCT [K]	Beam angle	CRI [Ra]
DU5101-01	1W	SMD LEDs	30 lm	30 lm/W	3000K 4000K 6000K	90°	>80
DU5102-02	2 x 1W		70 lm	35 lm/W			
DU5103-04	4 x 1W		140 lm	35 lm/W			
DU6516-3	3W		210 lm	70 lm/W			
DU6517-3	3 x 1W		100 lm	33 lm/W			



## Step Light

## LANDSCAPE



DU501-02

Housing Color: ○ ● ●

### Description

Step Light, uses SMD LEDs for outdoor applications. Housing is made of high-quality PC material with powder coating. Luminaire uses UV stabilized PC diffuser.

### Product Features

- SMD LEDs
- Built-in LED driver
- Easy installation (No need to make cuts in steps or walls)
- Available in round and rectangular shapes
- Installation: Surface Mounted
- Working temperature: -20°C to 50°C
- IP rating: IP65
- Life span: 50,000 hours

### Electrical Specifications

- Rated Supply Voltage: 220-240V
- Frequency: 50/60Hz



DU502-03

Housing Color: ○ ● ●

### Applications



Ramps

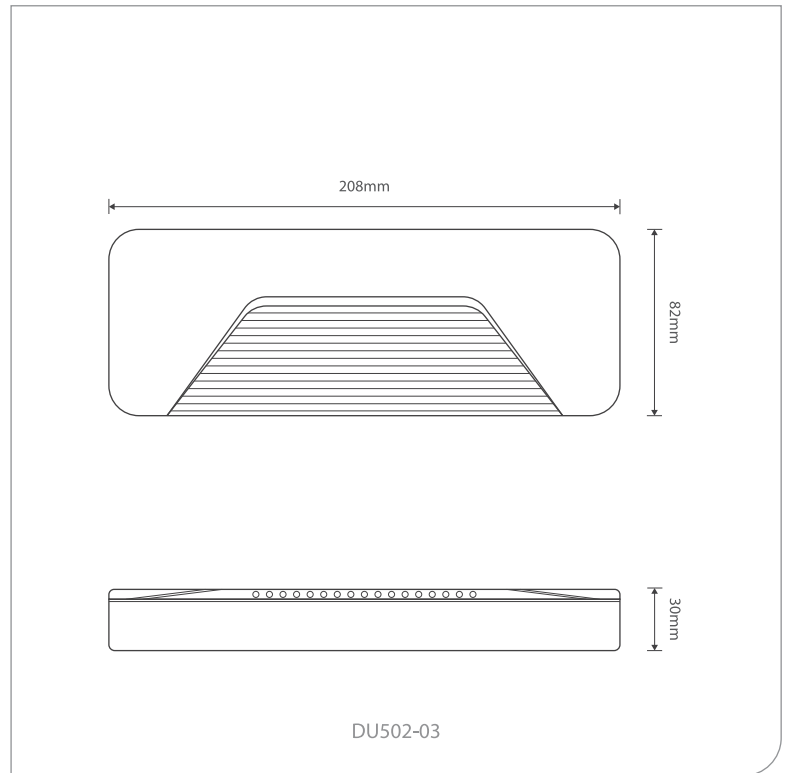
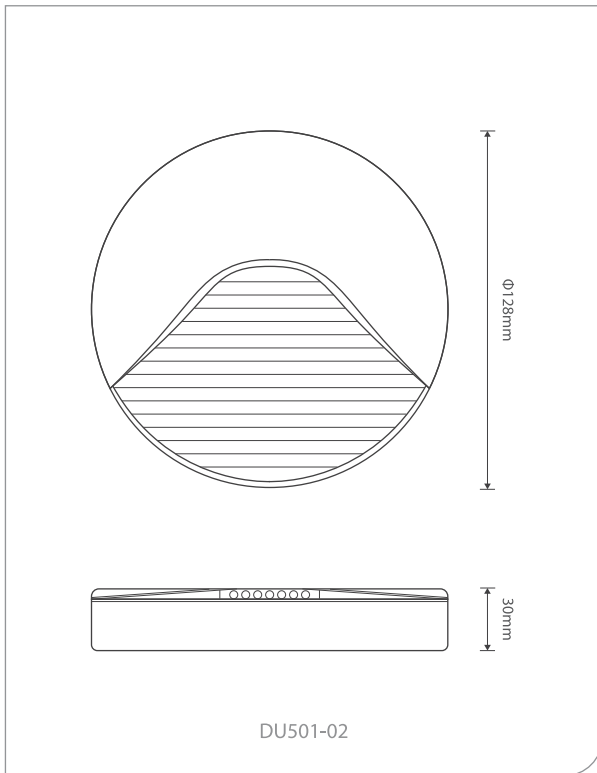


Landscape Lighting



Shopping Malls

## Technical Drawings & Dimensions



## Technical Specifications

Model	Power [W]	LED type	Luminous flux [lm]	Luminous efficacy [lm/W]	CCT [K]	Beam angle	CRI [Ra]
DU501-02	2W	SMD LEDs	90 lm	45 lm/W	3000K	95°	>80
DU502-03	3W		150 lm	50 lm/W	4000K 6500K		



## Wall Lights

## LANDSCAPE LIGHTS



### Description

Wall Lights, uses SMD/COB LED for indoor and outdoor applications. Housing is made of Die-Cast Aluminum with powder coating. Luminaire uses high quality PC diffuser.

### Product Features

- SMD LEDs
- Built-in LED driver
- Available in different shapes
- Installation: Wall/Surface Mounted
- Working temperature: -20°C to 50°C
- 0-1/10V dimming, DALI dimming (optional)
- IP rating: IP20/IP65
- Life span: 50,000 hours



### Electrical Specifications

- Rated Supply Voltage: 220-240V
- Frequency: 50/60Hz

### Applications



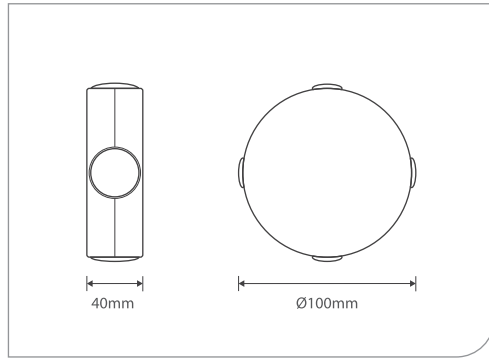
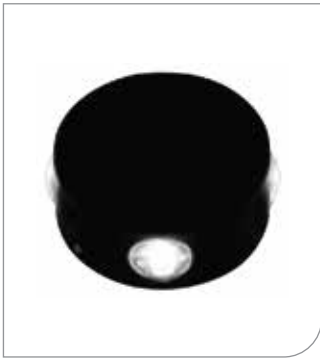
Landscape



Gardens

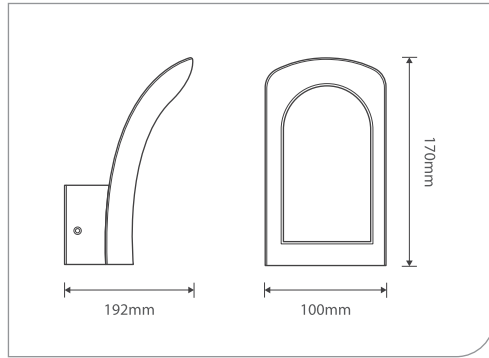


**DU201-10**



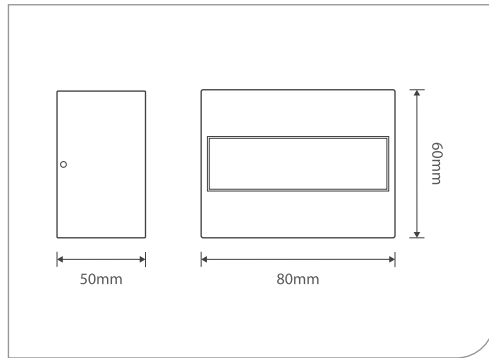
Power	4x3W
LED type	COB
Luminous flux	1020 lm
Luminous efficacy	85 lm/W
CCT	3000K/4000K/6500K
CRI	Ra >80

**DU201-10**



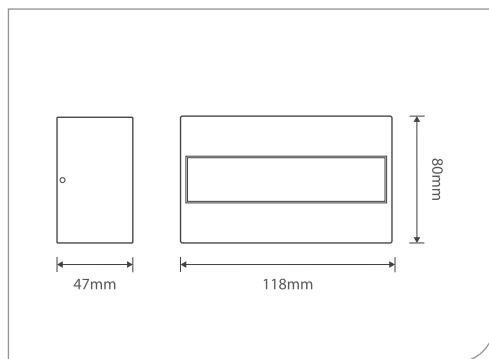
Power	10W
LED type	SMD
Luminous flux	850 lm
Luminous efficacy	85 lm/W
CCT	3000K/4000K/6500K
CRI	Ra >80

**DU301-8**



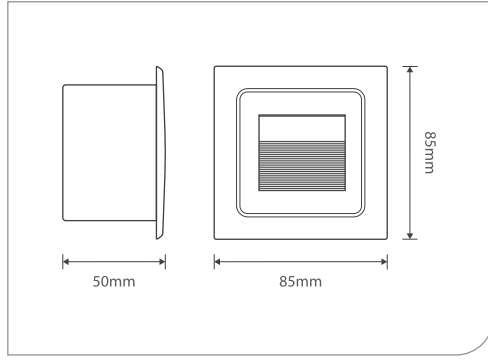
Power	2x3W+2W
LED type	SMD/COB
Luminous flux	680 lm
Luminous efficacy	85 lm/W
CCT	3000K/4000K/6500K
CRI	Ra >80

**DU302-15**



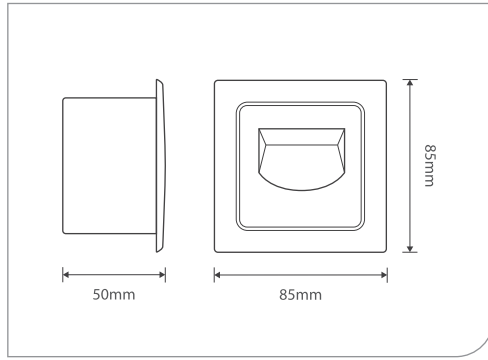
Power	4x3W+3W
LED type	SMD/COB
Luminous flux	1275 lm
Luminous efficacy	85 lm/W
CCT	3000K/4000K/6500K
CRI	Ra >80

DU401-3



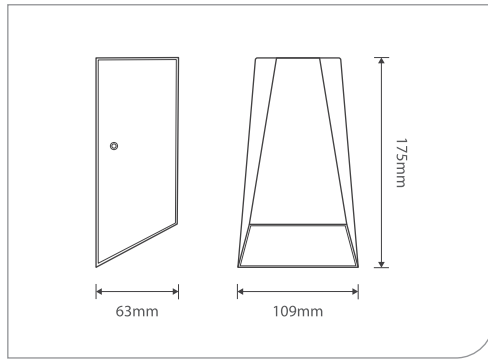
Power	3W
LED type	COB
Luminous flux	255 lm
Luminous efficacy	85 lm/W
CCT	3000K/4000K/6500K
CRI	Ra >80

DU402-3



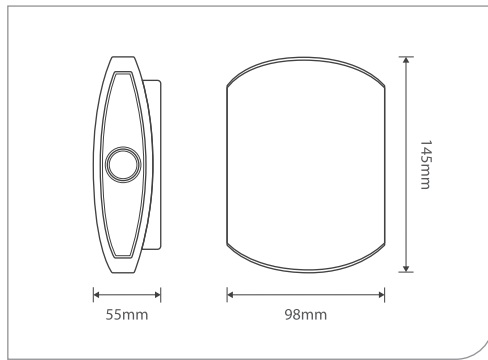
Power	3W
LED type	COB
Luminous flux	255 lm
Luminous efficacy	85 lm/W
CCT	3000K/4000K/6500K
CRI	Ra >80

DU501-6



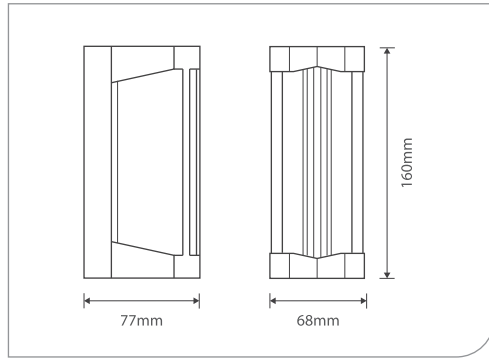
Power	2x3W
LED type	COB
Luminous flux	510 lm
Luminous efficacy	85 lm/W
CCT	3000K/4000K/6500K
CRI	Ra >80

DU601-6



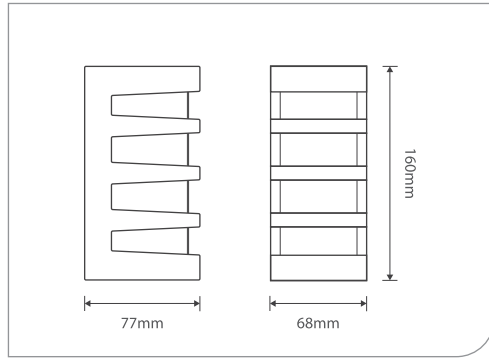
Power	2x3W
LED type	COB
Luminous flux	510 lm
Luminous efficacy	85 lm/W
CCT	3000K/4000K/6500K
CRI	Ra >80

**DU701-5**



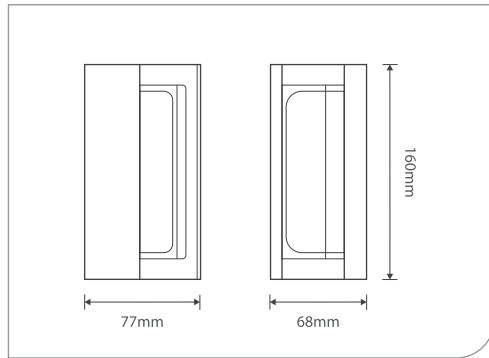
Power	5W
LED type	SMD
Luminous flux	425 lm
Luminous efficacy	85 lm/W
CCT	3000K/4000K/6500K
CRI	Ra >80

**DU702-5**



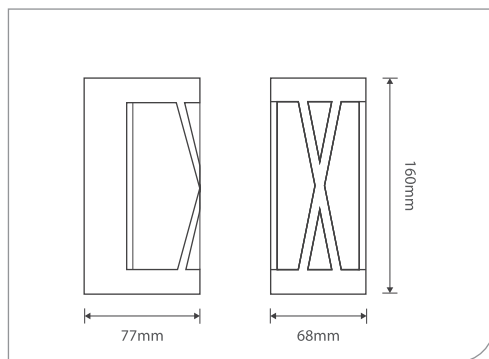
Power	5W
LED type	SMD
Luminous flux	425 lm
Luminous efficacy	85 lm/W
CCT	3000K/4000K/6500K
CRI	Ra >80

**DU703-5**



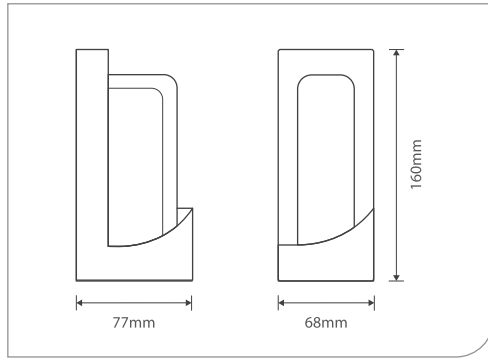
Power	5W
LED type	SMD
Luminous flux	425 lm
Luminous efficacy	85 lm/W
CCT	3000K/4000K/6500K
CRI	Ra >80

**DU704-5**



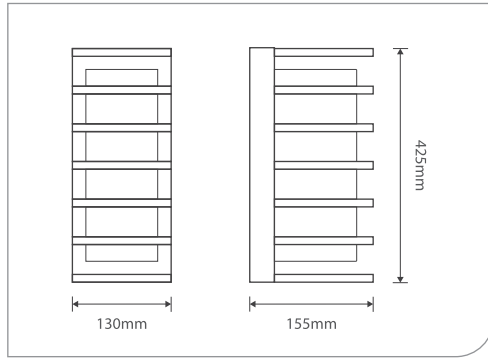
Power	5W
LED type	SMD
Luminous flux	425 lm
Luminous efficacy	85 lm/W
CCT	3000K/4000K/6500K
CRI	Ra >80

DU705-5



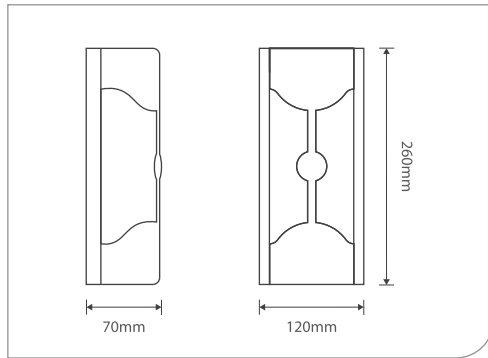
Power	5W
LED type	SMD
Luminous flux	425 lm
Luminous efficacy	85 lm/W
CCT	3000K/4000K/6500K
CRI	Ra >80

DU706-30



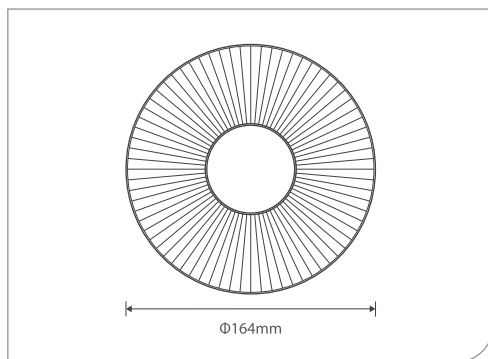
Power	30W
LED type	SMD
Luminous flux	2550 lm
Luminous efficacy	85 lm/W
CCT	3000K/4000K/6500K
CRI	Ra >80

DU707-10



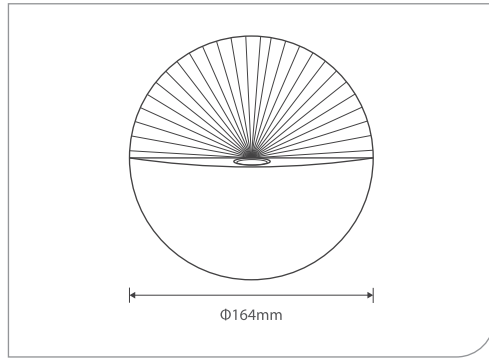
Power	10W
LED type	SMD
Luminous flux	850 lm
Luminous efficacy	85 lm/W
CCT	3000K/4000K/6500K
CRI	Ra >80

DU801-5



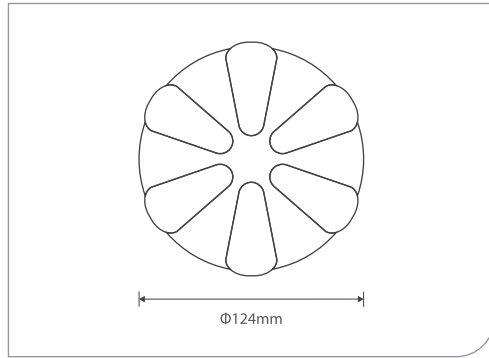
Power	5W
LED type	COB
Luminous flux	425 lm
Luminous efficacy	85 lm/W
CCT	3000K/4000K/6500K
CRI	Ra >80

**DU802-7**



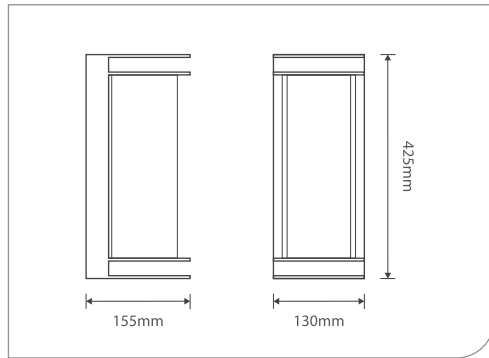
Power	7W
LED type	COB
Luminous flux	595 lm
Luminous efficacy	85 lm/W
CCT	3000K/4000K/6500K
CRI	Ra >80

**DU901-18**



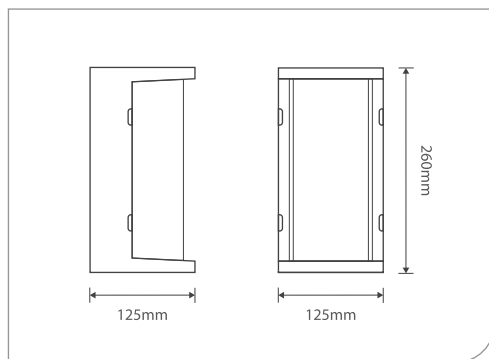
Power	6x3W
LED type	COB
Luminous flux	1530 lm
Luminous efficacy	85 lm/W
CCT	3000K/4000K/6500K
CRI	Ra >80

**DU142-30**



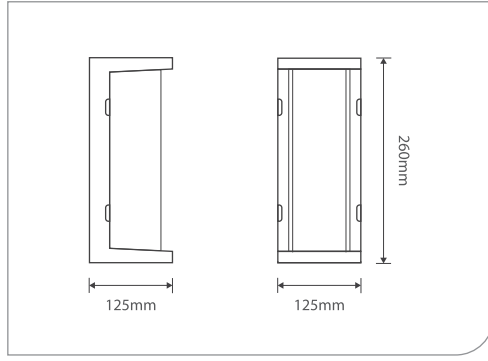
Power	30W
LED type	SMD
Luminous flux	2550 lm
Luminous efficacy	85 lm/W
CCT	3000K/4000K/6500K
CRI	Ra >80

**DU143-10**



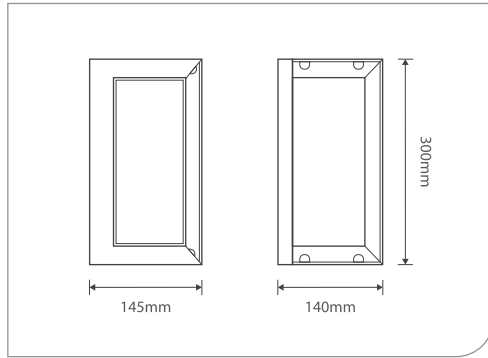
Power	10W
LED type	SMD
Luminous flux	850 lm
Luminous efficacy	85 lm/W
CCT	3000K/4000K/6500K
CRI	Ra >80

DU144-20



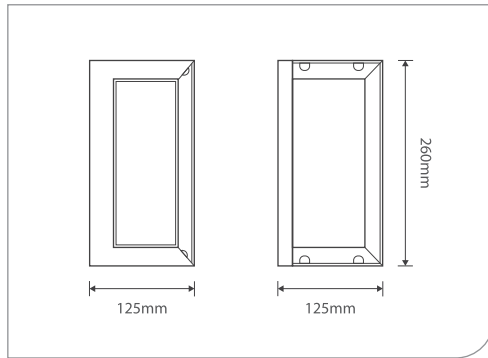
Power	20W
LED type	SMD
Luminous flux	1700 lm
Luminous efficacy	85 lm/W
CCT	3000K/4000K/6500K
CRI	Ra >80

DU145-10



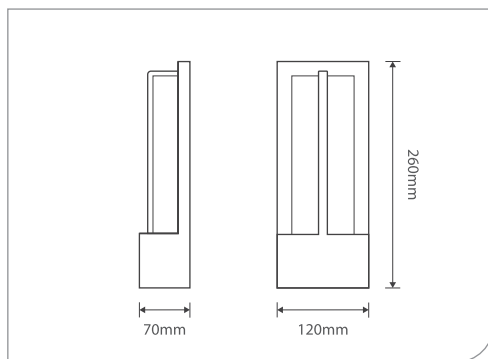
Power	10W
LED type	SMD
Luminous flux	850 lm
Luminous efficacy	85 lm/W
CCT	3000K/4000K/6500K
CRI	Ra >80

DU146-20



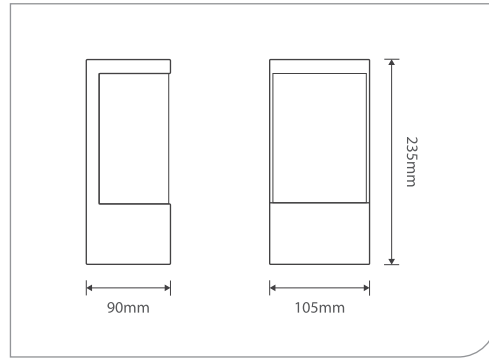
Power	20W
LED type	SMD
Luminous flux	1700 lm
Luminous efficacy	85 lm/W
CCT	3000K/4000K/6500K
CRI	Ra >80

DU147-10



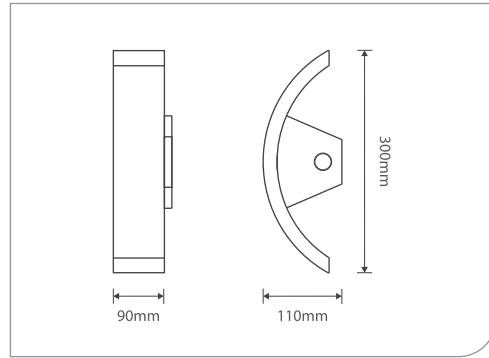
Power	10W
LED type	SMD
Luminous flux	850 lm
Luminous efficacy	85 lm/W
CCT	3000K/4000K/6500K
CRI	Ra >80

DU148-10



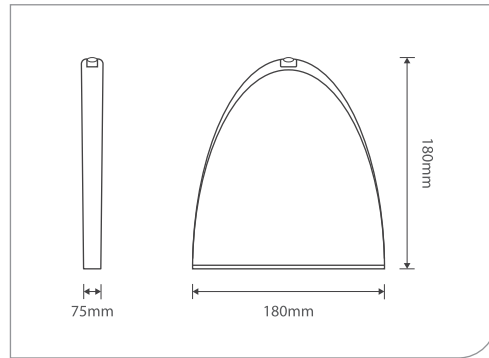
Power	10W
LED type	SMD
Luminous flux	850 lm
Luminous efficacy	85 lm/W
CCT	3000K/4000K/6500K
CRI	Ra >80

DU149-24



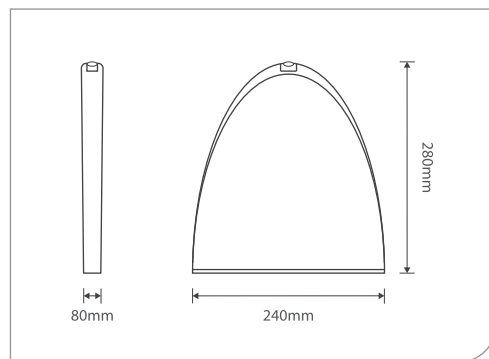
Power	24W
LED type	SMD
Luminous flux	2040 lm
Luminous efficacy	85 lm/W
CCT	3000K/4000K/6500K
CRI	Ra >80

DU150-13



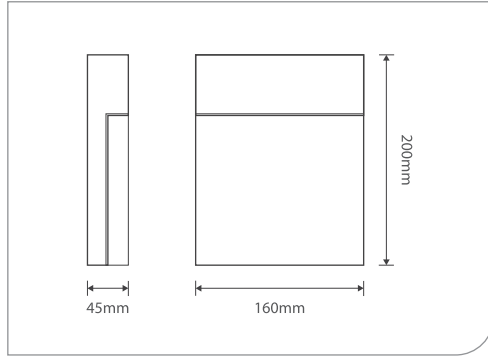
Power	10+3W
LED type	SMD
Luminous flux	1105 lm
Luminous efficacy	85 lm/W
CCT	3000K/4000K/6500K
CRI	Ra >80

DU151-21



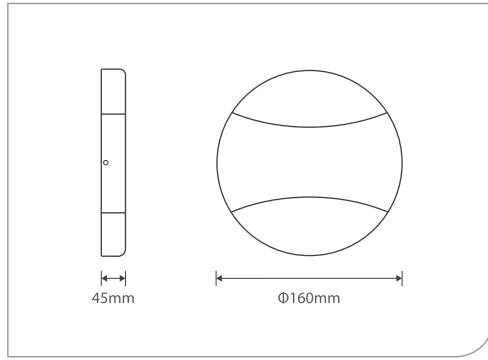
Power	18+3W
LED type	SMD
Luminous flux	1785 lm
Luminous efficacy	85 lm/W
CCT	3000K/4000K/6500K
CRI	Ra >80

DU152-20



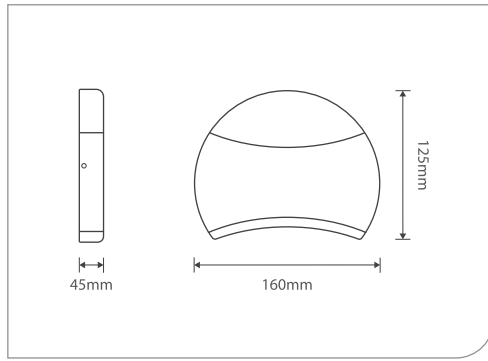
Power	20W
LED type	SMD
Luminous flux	1700 lm
Luminous efficacy	85 lm/W
CCT	3000K/4000K/6500K
CRI	Ra >80

DU153-12



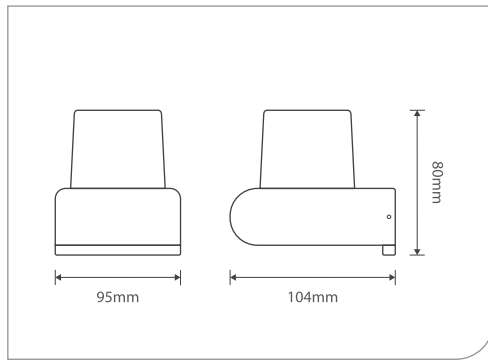
Power	2x6W
LED type	SMD
Luminous flux	1020 lm
Luminous efficacy	85 lm/W
CCT	3000K/4000K/6500K
CRI	Ra >80

DU154-12



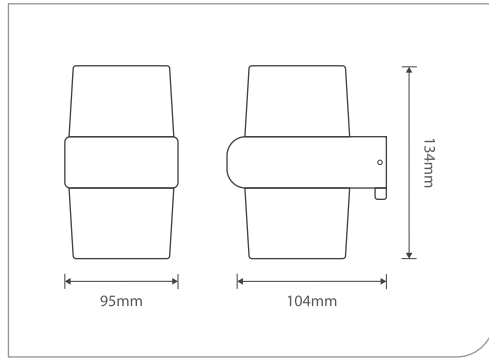
Power	2x6W
LED type	SMD
Luminous flux	1020 lm
Luminous efficacy	85 lm/W
CCT	3000K/4000K/6500K
CRI	Ra >80

DU155-7



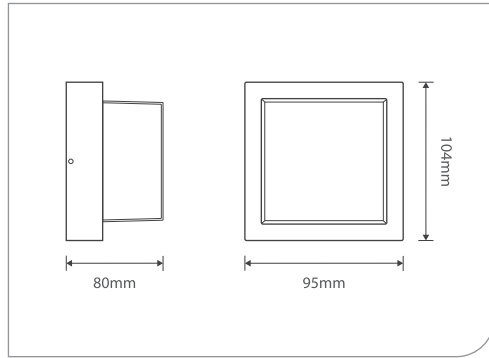
Power	7W
LED type	SMD
Luminous flux	595 lm
Luminous efficacy	85 lm/W
CCT	3000K/4000K/6500K
CRI	Ra >80

**DU156-14**



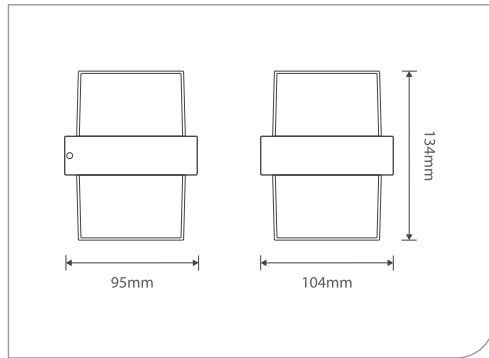
Power	2x7W
LED type	SMD
Luminous flux	1190 lm
Luminous efficacy	85 lm/W
CCT	3000K/4000K/6500K
CRI	Ra >80

**DU157-7**



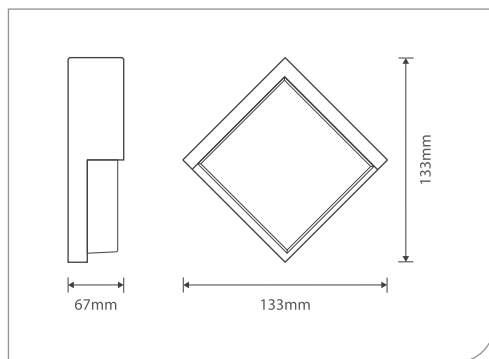
Power	7W
LED type	SMD
Luminous flux	595 lm
Luminous efficacy	85 lm/W
CCT	3000K/4000K/6500K
CRI	Ra >80

**DU158-14**



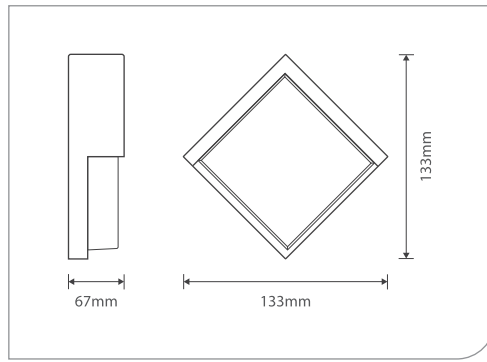
Power	2x7W
LED type	SMD
Luminous flux	1190 lm
Luminous efficacy	85 lm/W
CCT	3000K/4000K/6500K
CRI	Ra >80

**DU159-7**



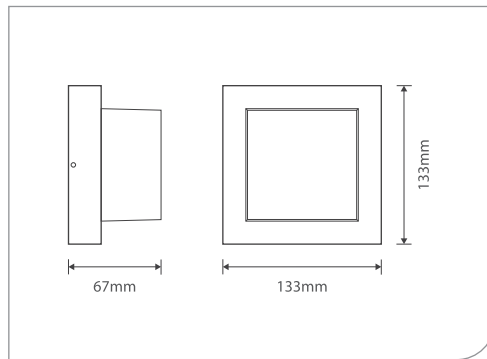
Power	7W
LED type	SMD
Luminous flux	595 lm
Luminous efficacy	85 lm/W
CCT	3000K/4000K/6500K
CRI	Ra >80

DU160-12



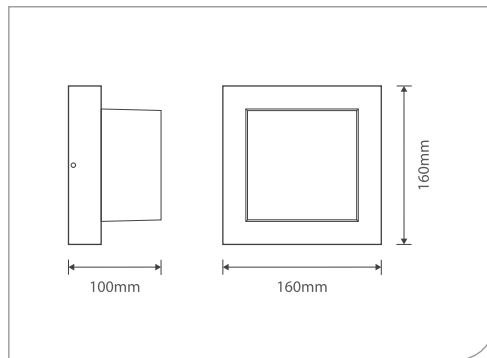
Power	12W
LED type	SMD
Luminous flux	1020 lm
Luminous efficacy	85 lm/W
CCT	3000K/4000K/6500K
CRI	Ra >80

DU161-7



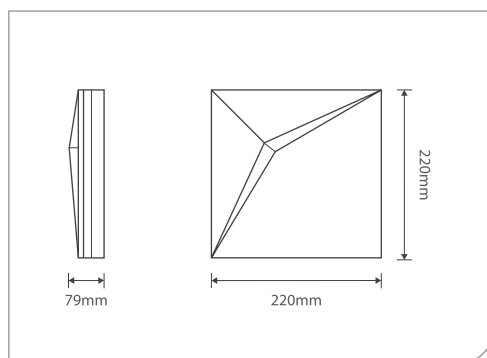
Power	7W
LED type	SMD
Luminous flux	595 lm
Luminous efficacy	85 lm/W
CCT	3000K/4000K/6500K
CRI	Ra >80

DU162-12



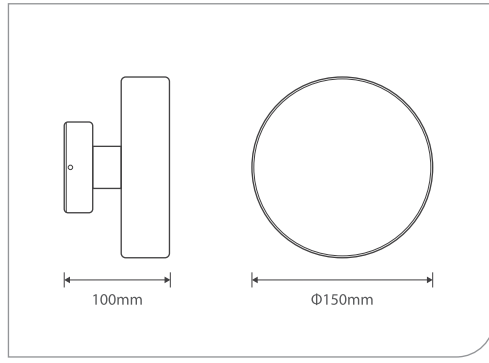
Power	12W
LED type	SMD
Luminous flux	1020 lm
Luminous efficacy	85 lm/W
CCT	3000K/4000K/6500K
CRI	Ra >80

DU-001-W



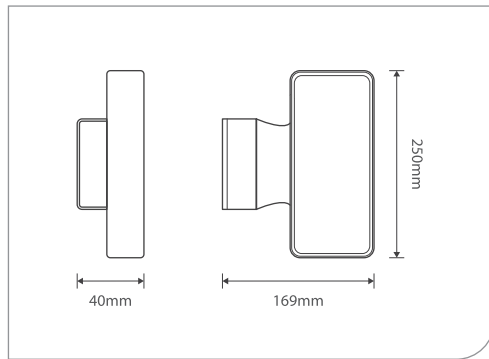
Power	8W
LED type	SMD
Luminous flux	160 lm
Luminous efficacy	20 lm/W
CCT	3000K/4000K/6500K
CRI	Ra >80

**DU-002-W**



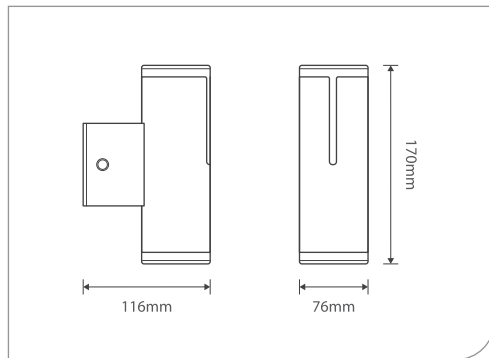
Power	10W
LED type	SMD
Luminous flux	265 lm
Luminous efficacy	26 lm/W
CCT	3000K/4000K/6500K
CRI	Ra >80

**DU-003-W**



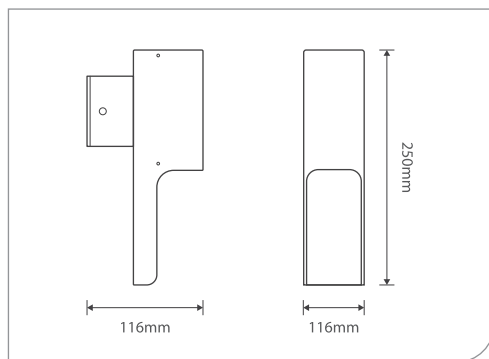
Power	11W
LED type	SMD
Luminous flux	473 lm
Luminous efficacy	43 lm/W
CCT	3000K/4000K/6500K
CRI	Ra >80

**DU-004-W**



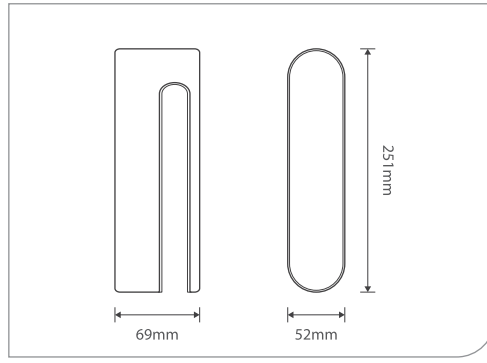
Power	8W
LED type	COB
Luminous flux	472 lm
Luminous efficacy	59 lm/W
CCT	3000K/4000K/6500K
CRI	Ra >80

**DU-005-W**



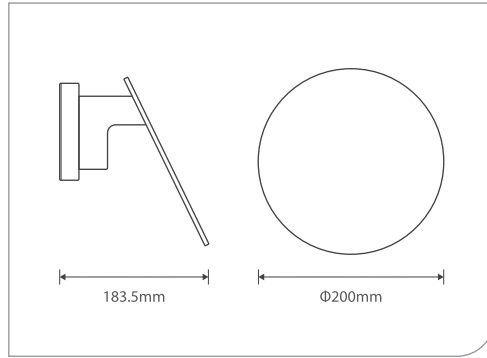
Power	6W
LED type	COB
Luminous flux	360 lm
Luminous efficacy	60 lm/W
CCT	3000K/4000K/6500K
CRI	Ra >80

DU-006-W



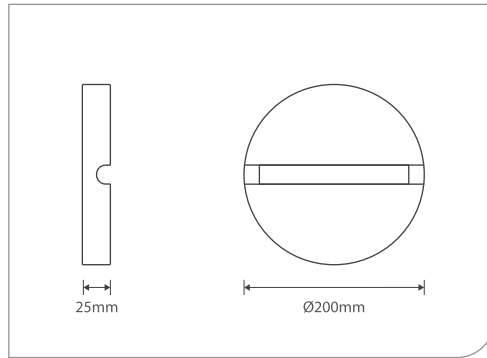
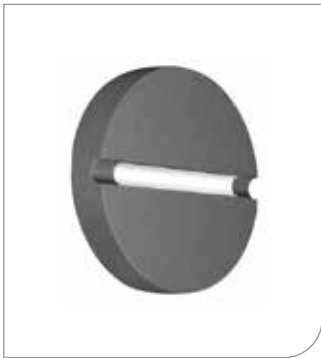
Power	11W
LED type	SMD
Luminous flux	380 lm
Luminous efficacy	35 lm/W
CCT	3000K/4000K/6500K
CRI	Ra >80

DU-007-W-1



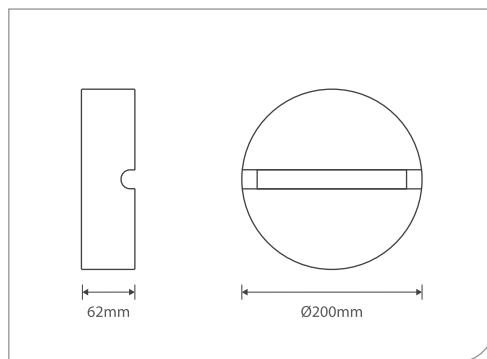
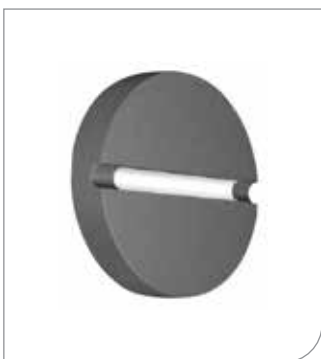
Power	8W
LED type	COB
Luminous flux	165 lm
Luminous efficacy	21 lm/W
CCT	3000K/4000K/6500K
CRI	Ra >80

DU-008



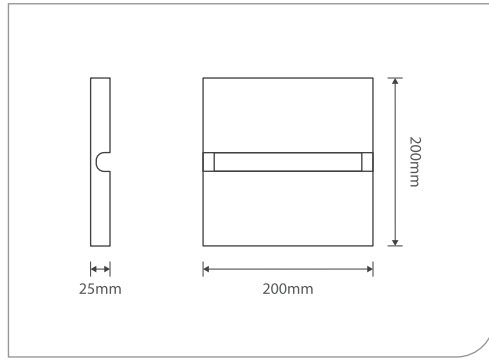
Power	4W
LED type	SMD
Luminous flux	160 lm
Luminous efficacy	40 lm/W
CCT	3000K/4000K/6500K
CRI	Ra >80

DU-009



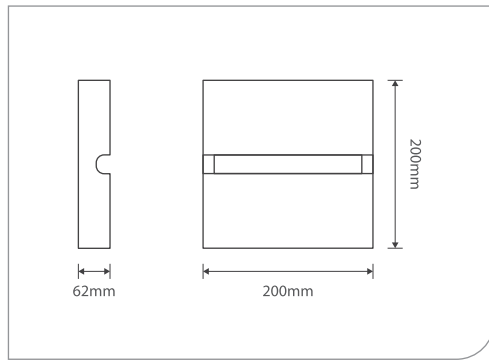
Power	4W
LED type	SMD
Luminous flux	160 lm
Luminous efficacy	40 lm/W
CCT	3000K/4000K/6500K
CRI	Ra >80

**DU-010-Q**



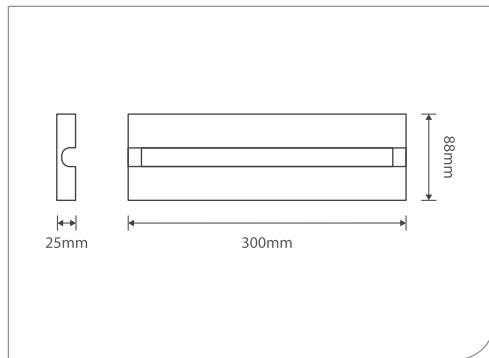
Power	4W
LED type	SMD
Luminous flux	160 lm
Luminous efficacy	40 lm/W
CCT	3000K/4000K/6500K
CRI	Ra >80

**DU-011-Q**



Power	4W
LED type	SMD
Luminous flux	160 lm
Luminous efficacy	40 lm/W
CCT	3000K/4000K/6500K
CRI	Ra >80

**DU-012**



Power	7W
LED type	SMD
Luminous flux	220 lm
Luminous efficacy	32 lm/W
CCT	3000K/4000K/6500K
CRI	Ra >80



## Pool Light

## LANDSCAPE LIGHTS



DUSPL101  
DIP Type



DUSPL201  
High Power LED Type

### Description

Pool Light, uses DIP/High power LEDs. Housing is made of ABS and PC material.

### Product Features

- High efficient DIP/High power LEDs
- RGB auto control/Manual control
- High-quality ABS and PC material
- Installation: Wall/Surface/Recessed Mounted
- Working temperature: 20°C to 60°C
- 0-1/10V dimming, DALI dimming (optional)
- IP rating: IP68
- Life span: 50,000 hours

### Electrical Specifications

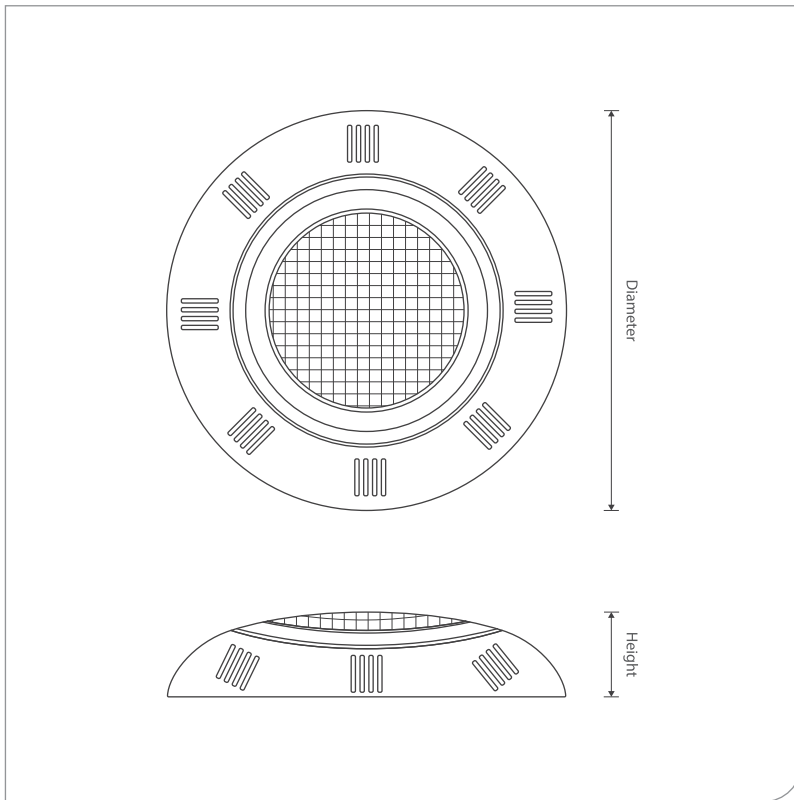
- Rated Supply Voltage: 220-240V
- Frequency: 50/60Hz

### Applications



Swimming pools

## Technical Drawing



## Dimensions

Model	Diameter	Height
DUSPL101-15	Φ295mm	70mm
DUSPL102-20	Φ295mm	70mm
DUSPL103-30	Φ295mm	70mm
DUSPL104-35	Φ295mm	70mm
DUSPL201-10	Φ295mm	70mm
DUSPL202-15	Φ295mm	70mm
DUSPL203-20	Φ295mm	70mm
DUSPL204-25	Φ295mm	70mm

## Technical Specifications

Model	Power [W]	LED type	Luminous flux [lm]	Luminous efficacy [lm/W]	CCT [K]	CRI [Ra]
DUSPL101-15	15W	High Power LED	1200 lm	80 lm/W	3000K 4000K 6500K RGB	>80
DUSPL102-20	20W		1600 lm			
DUSPL103-30	30W		2400 lm			
DUSPL104-35	35W		2800 lm			
DUSPL201-10	10W	DIP Type	800 lm			
DUSPL202-15	15W		1200 lm			
DUSPL203-20	20W		1600 lm			
DUSPL204-25	25W		2000 lm			



# EMERGENCY & EXIT LIGHT



## Emergency & Exit Light



### Description

Exit Light, uses SMD LEDs and built-in LED driver for indoor applications. Housing is made of flame retardant, ABS material.

### Product Features

- SMD LEDs
- UL 94V-0 flame rating
- LED indicator light and push button test switch
- Ni-CD battery, AC / DC operation
- Replaceable directional chevron can be easily inserted or removed
- Conversion time:  $\leq 0.2$  second
- Innovative, snap-together design allows fast installation
- Installation: Wall / Ceiling / Surface Mounted
- Life-span: 50,000 hours



### Electrical Specifications

- Rated Supply Voltage: 220-240V
- Frequency: 50/60Hz

### Applications



Clubs and Hotels



Shopping Malls

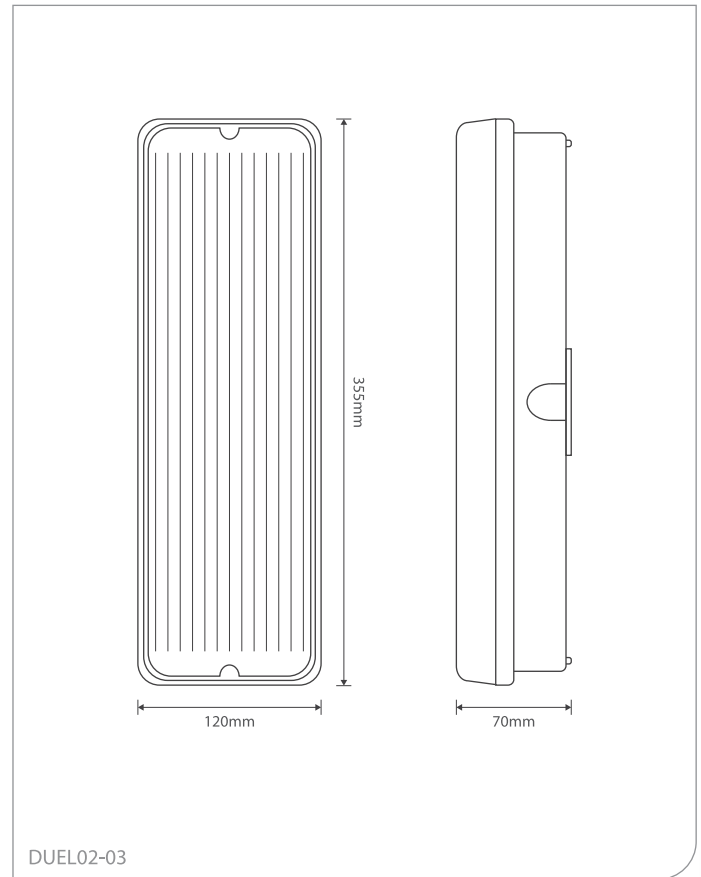
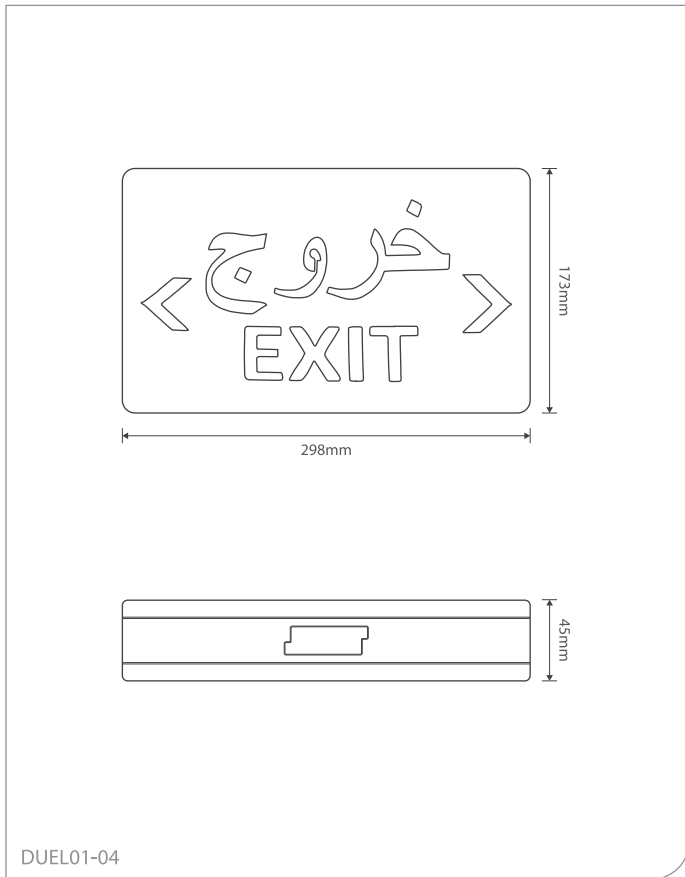


Airports



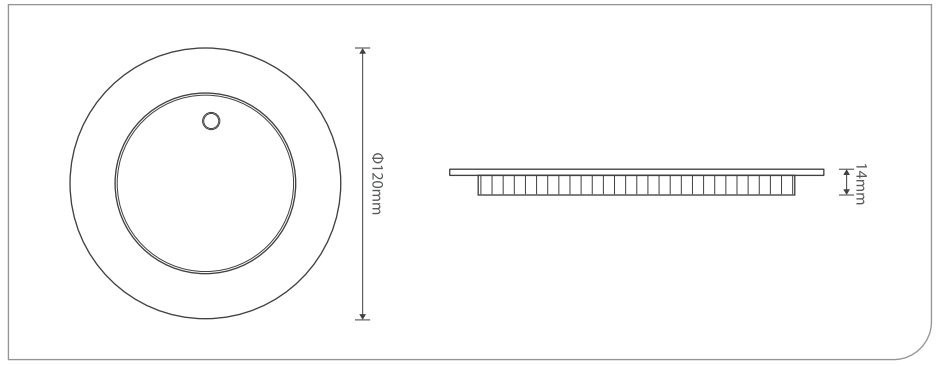


## Technical Drawings and Dimensions



## Technical Specifications

Model	Power [W]	LED type	Light color	CRI [Ra]	Battery	Operating time [ hrs ]	Operating mode	IP rating
DUEL01-04	4W	SMD LEDs	Red	>80	300mAH Nickel Cadium Battery	>3hrs	Maintained mode	IP20
DUEL02-03	3W		Green 6500K		900mAH Nickel Cadium Battery			IP65



## Description

Bello LP, LED Emergency Downlight, uses TRIDONIC Emergency kit for indoor applications. Housing is made of die-cast aluminum with powder paint coating. Luminaire uses high quality PS diffuser.

## Product Features

- SMD LEDs
- UL 94V-0 flame rating
- LED indicator light and push button test switch
- Ni-CD battery, AC / DC operation
- Replaceable directional chevron can be easily inserted or removed
- Conversion time:  $\leq 0.2$  second
- Innovative, snap-together design allows fast installation
- Installation: Wall / Ceiling / Surface Mounted
- Life-span: 50,000 hours

## Electrical Specifications

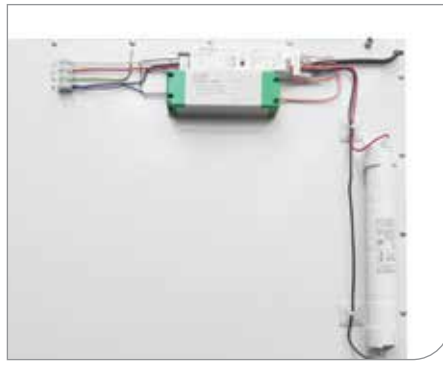
- Rated Supply Voltage: 220-240V
- Frequency: 50/60Hz

## Technical Specifications

Model	DUBELP-06-EM
Power [ W ]	6W
LED type	SMD
Luminous flux [ lm ]	510 lm
CCT [ K ]	3000K/4000K/6500K
Beam angle	120°
Cut-out [ mm ]	110mm
Battery	NiCD, 4 Ah D cells stick type
No. of cells	4
Operating mode	Maintained/Non-maintained
Battery charging time (for 3 hours duration)	20 hours

\* Above mentioned power and Lumens are for Main Mode

\* Power in Emergency Mode will be 4 watt



## Description

Lavela LS, LED Emergency Panel, uses TRIDONIC Emergency kit for indoor applications. Housing is made of Die-Cast Aluminum with powder paint coating. Luminaire uses MITSUBISHI laser printed LGP and high quality PS diffuser.

## Product Features

- EPISTAR SMD LEDs
- TRIDONIC LED Emergency Kit
- DuLight LED driver for Maintained Mode operation
- 4W of 3 hours duration in Emergency Mode
- Charging indicator Green color LED integrated in fitting
- Battery and driver are fixed on the back of Panel

## Electrical Specifications

- Rated Supply Voltage: 220-240V
- Frequency: 50/60Hz

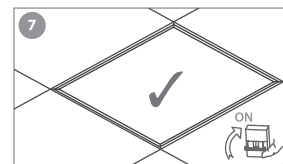
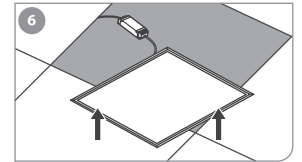
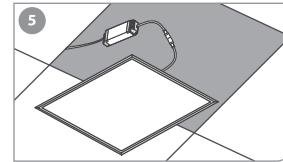
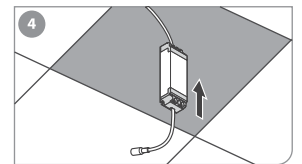
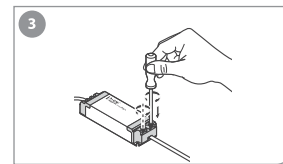
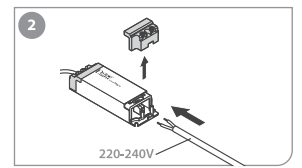
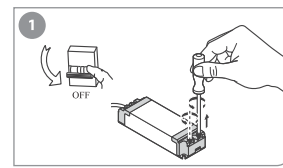
## Technical Specifications

Model	DULVLS-42-EM
Power [ W ]	42W
LED type	SMD
Luminous flux [ lm ]	4200 lm
CCT [ K ]	3000K/4000K/6500K
Beam angle	120°
Battery	NiCD, 4 Ah D cells stick type
No. of cells	4
Operating mode	Maintained/Non-maintained
Battery charging time (for 3 hours duration)	20 hours

\* Above mentioned power and Lumens are for Main Mode

\* Power in Emergency Mode will be 4 watt

## Installation Manual





### TRIDONIC EM driver LED Basic

- 3 hours rated duration in Emergency mode (when battery fully charged)
- Deep discharge protection
- Short-circuit-proof battery connection
- Polarity reversal protection for battery
- IP rating: IP20

### Battery Features

- NiCD battery with D type cells
- Good Charging properties at high temperature
- High energy maintenance of the charged battery
- Simple connection with blade terminal respectively plug terminal
- Suitable for Emergency lighting equipment as per IEC 60598-2-22
- Capacity: 4.0 Ah
- No. of cells: 4
- Type: Stick

### Technical Specifications

Rated Supply Voltage	220-240V
Mains Frequency	50/60Hz
Time to light	< 0.25 s from detection of Emergency event
Overvoltage Protection	320 V ( for 1 hour )
Battery Charging Time	20 hours
Max. Casing Temperature tc	70°C
Mains Voltage Changeover threshold	According to EN 60598-2-22
Maximum Output Power	4.0 Watt ( Emergency mode )





# DECORATIVE LIGHTS



## Decorative Lights



DU-DEC46-2



DU-DEC207-400/500/600



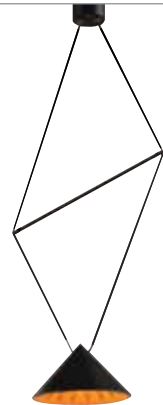
DU-DEC207-400A/500A/600A



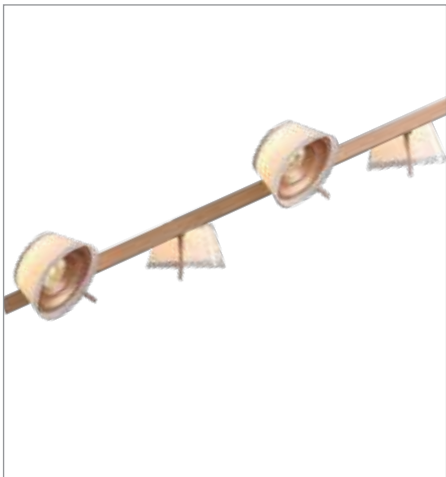
DU-DEC209-1F



DU-DEC209-1W



DU-DEC207-400A/500A



DU-DEC214-4



DU-DEC230-490/640/840



DU-DEC234-600/600S/900/1200



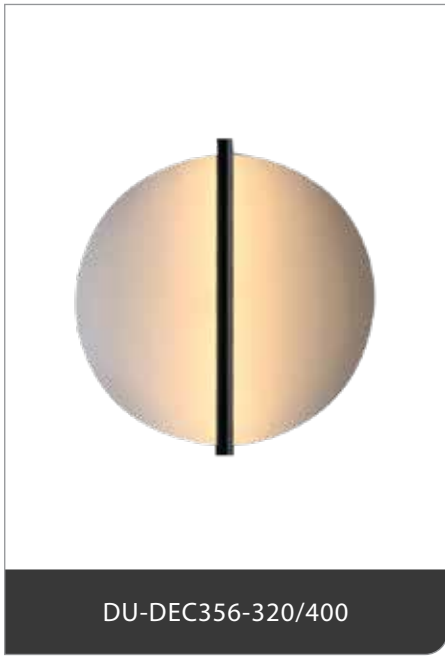
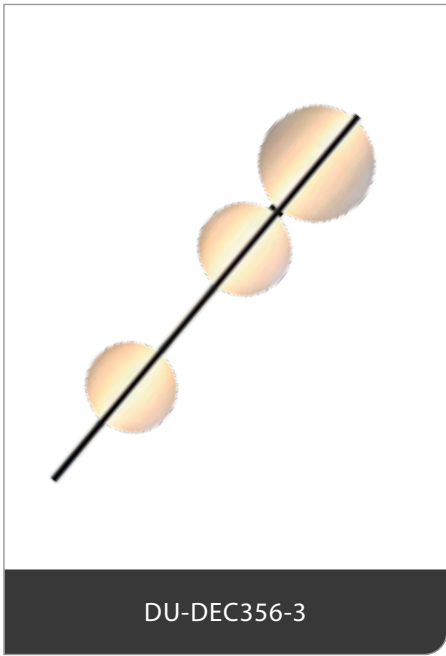
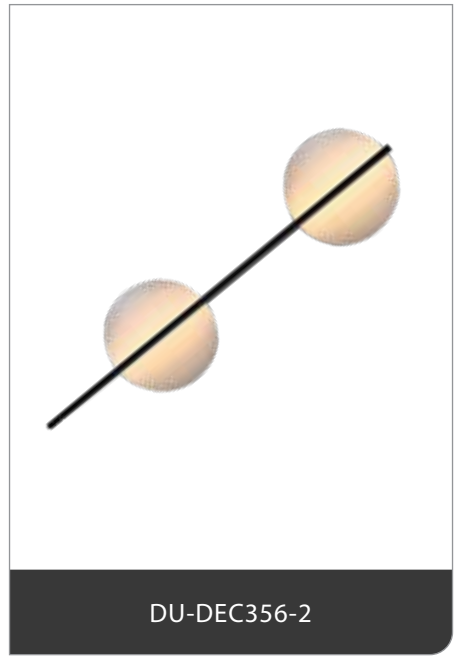
DU-DEC332-320/600/1200

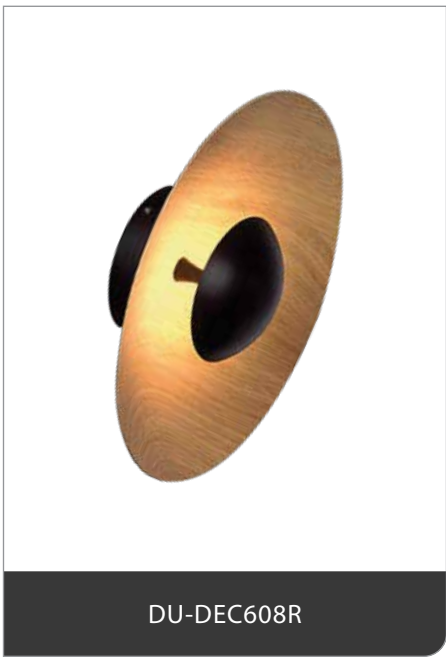
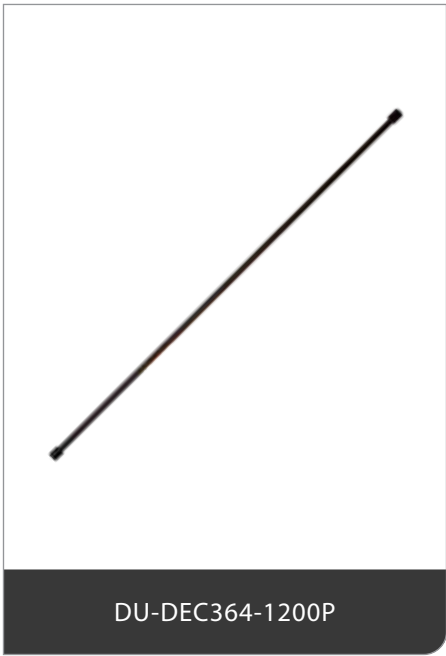
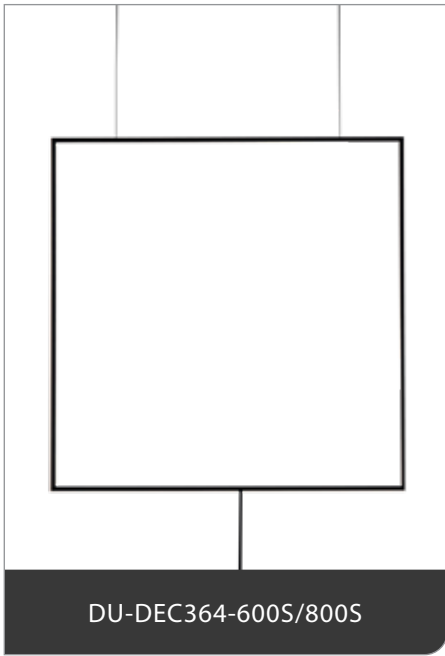
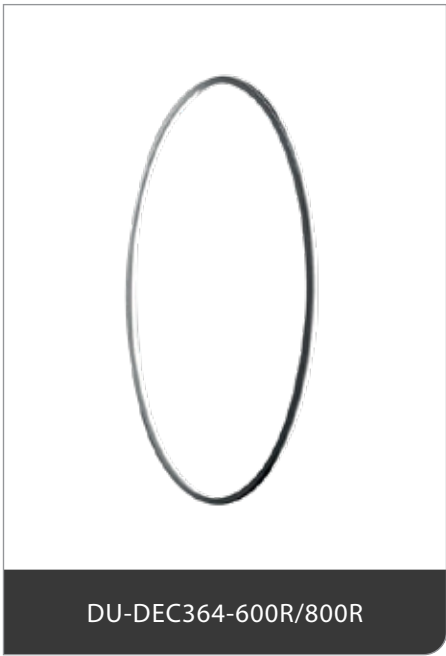


DU-DEC339-250



DU-DEC352-360





*\*Note: Refer separate catalogue for Decorative range*



# GYPSUM LIGHTS



## Gypsum Lights



### Description

Gypsum Lights, uses SMD LEDs and conventional lamps of different base configurations for indoor applications. Housing is made of combination of Gypsum, plaster and aluminum.

### Product Features

- SMD LEDs
- Different lamp base configurations
- Stylish trimless design
- Installation: Recessed/Surface Mounted
- IP rating: IP20
- Life-span: 50,000 hours

### Electrical Specifications

- Rated Supply Voltage: 220-240V
- Frequency: 50/60Hz



### Applications



Cafes & Restaurants



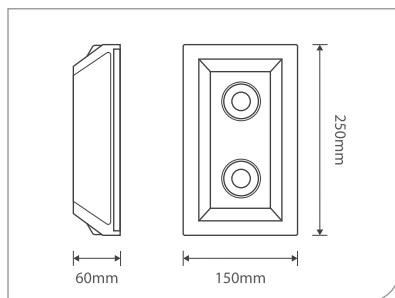
Showrooms



Lobbies

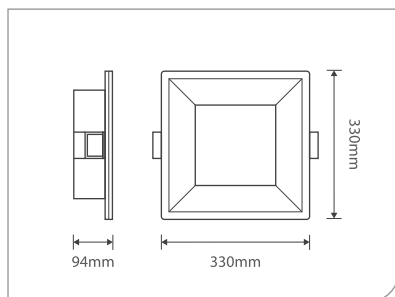


**DU9223A**



Voltage	220-240V	12V
Frequency	50Hz	50Hz
Light Source	GU10	GU5.3
Wattage	Max 2x35W	Max 2x35W
Cut-out	253 x 153mm	253 x 153mm

**DU9335A**



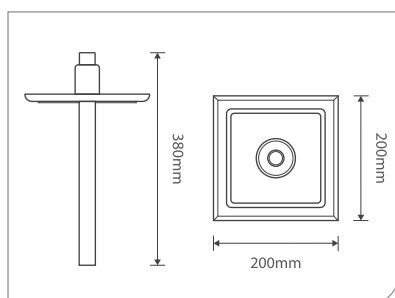
Voltage	220-240V
Frequency	50Hz
Light Source	CREE LED
Wattage	Max 18W
Cut-out	333 x 333mm

**DU9335B**



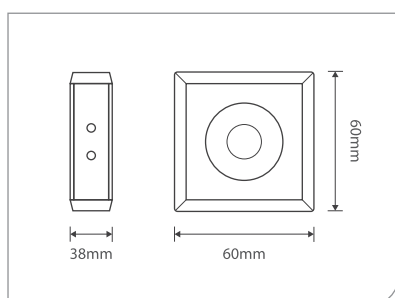
Voltage	220-240V
Frequency	50Hz
Light Source	CREE LED
Wattage	Max 9W
Cut-out	223 x 223mm

**DU2012-02**



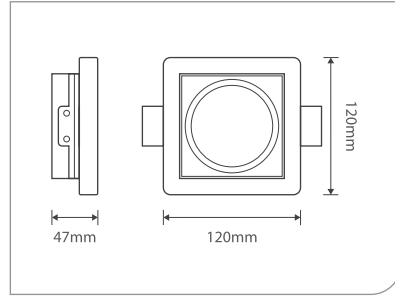
Voltage	220-240V
Frequency	50Hz
Light Source	CREE LED
Wattage	2W
Cut-out	205 x 205mm

**DU9286**



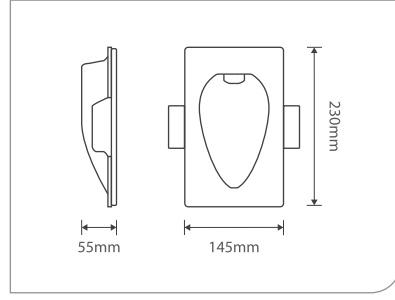
Voltage	DC 3.2V
Output Current	350mA
Light Source	CREE XB-D
Wattage	Max 1 x 1W
Cut-out	63 x 63mm

### DU9381



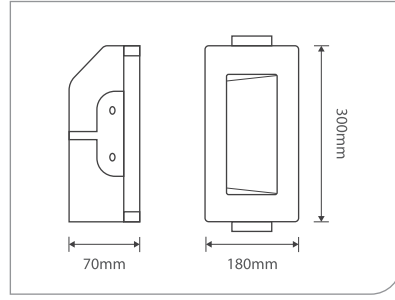
Voltage	220-240V
Frequency	50Hz
Light Source	LED RGB
Wattage	Max 2.5W
Cut-out	123 x 123mm

### DU3005



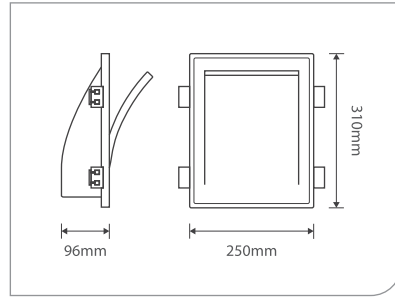
Voltage	DC 3.2V
Output Current	350mA
Light Source	CREE LED
Wattage	Max 1 x 1W
Cut-out	235 x 150mm

### DU3011



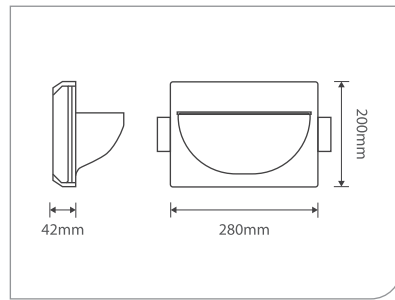
Voltage	220-240V
Frequency	50Hz
Light Source	CREE LED XB-D
Wattage	Max 12W
Cut-out	305 x 185mm

### DU8401



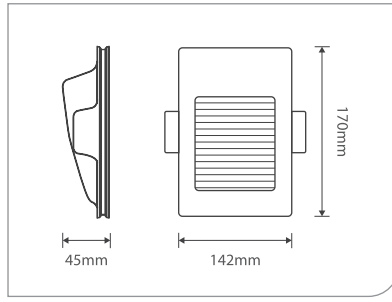
Voltage	220-240V
Frequency	50Hz
Light Source	E14
Wattage	Max 40W
Cut-out	313 x 253mm

### DU8501



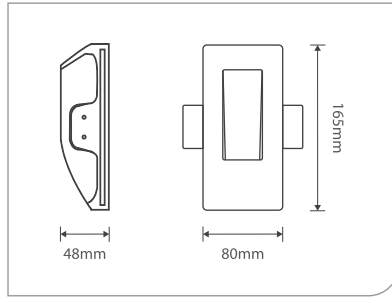
Voltage	220-240V
Frequency	50Hz
Light Source	E14
Wattage	Max 40W
Cut-out	283 x 223mm

**DU3001**



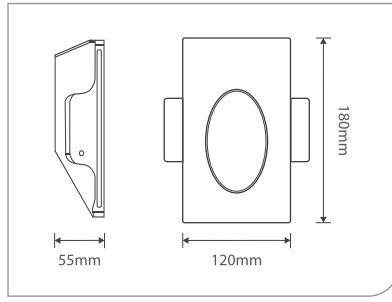
Voltage	220-240V
Frequency	50Hz
Light Source	CREE LED
Wattage	Max 1W
Cut-out	175 x 145mm

**DU3009**



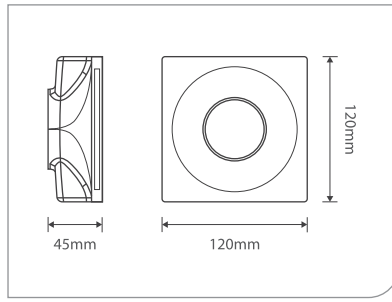
Voltage	220-240V
Frequency	50Hz
Light Source	CREE LED
Wattage	Max 1W
Cut-out	170 x 85mm

**DU9431**



Voltage	220-240V
Frequency	50Hz
Light Source	CREE LED
Wattage	Max 1W
Cut-out	125 x 185mm

**DU9131**



Voltage	220-240V/12V
Frequency	50Hz
Light Source	GU10/GU5.3
Wattage	Max 35W
Cut-out	123 x 123mm



**GROW LIGHT**



DUG125-15

GROW LIGHT



**Description**

LED Grow Light, uses SMD LEDs for indoor and outdoor applications. Housing is made of aluminum material.

**Product Features**

- SMD LEDs
- Emits Light in the photosynthetic active region (400-780nm) of the visible light spectrum
- Common E27 holder base make it easy installation
- Light Coverage: 4-6 m<sup>2</sup> ( Photoperiodic processing )
- Operating Temperature: -20° to 50°
- Surge Protection: 1.5KV
- Material: Aluminum
- IP Rating: IP43
- Life Span: 20,000 hours

**Electrical Specifications**

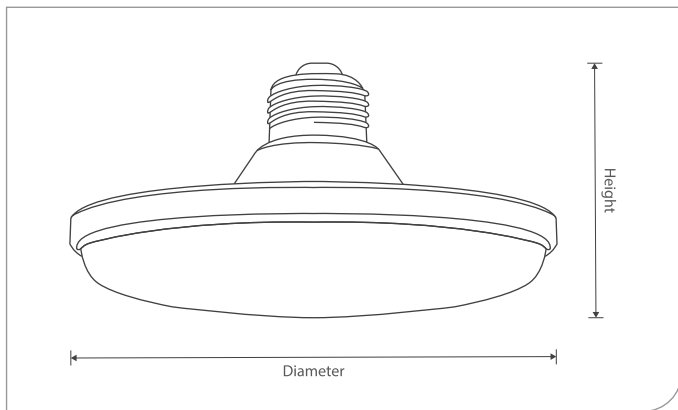
- Rated Supply Voltage: 100-240Vac
- Frequency: 50/60Hz



**Applications**

-  Outdoor growing
-  Plant Factories
-  Green houses
-  Farms

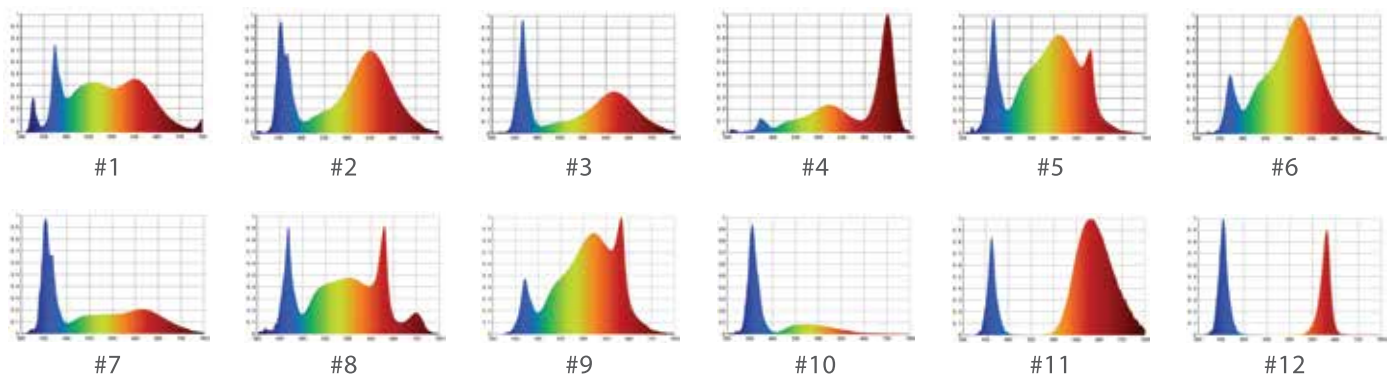
## Technical Drawing



## Technical Specifications

Model	DUG125-15
Power	15W
Light Source	SMD LEDs
CRI	Ra>80
Light Output	2.6-2.8μmol/s per Watt
Diameter	Φ125mm
Height	82mm

## Partial Spectral Distributions



## Accessories and Specifications

**Outdoor Waterproof E27 Socket PVC Cable**  
 Cable material: PVC + Pure Copper Wire  
 Cable Color: Shine Black



Model	Length	Socket Space	Socket Qty	Copper Wire Size	Max Power
DUW50-33-E27	50m	1.5m	33 Pcs	2x1mm <sup>2</sup>	600W
DUW50-25-E27	50m	2m	25 Pcs		600W
DUW50-20-E27	50m	2.5m	20 Pcs		600W
DUW50-30-E27	60m	2m	30 Pcs		600W
DUW60-20-E27	60m	3m	20 Pcs		600W
DUW60-15-E27	60m	4m	15 Pcs		600W
DUW100-34-E27	100m	3m	34 Pcs		800W



DUG126-100

GROW LIGHT



#### Description

LED Grow Light, uses SMD LEDs for indoor and outdoor applications. Housing is made of aluminum material.

#### Product Features

- SMD LEDs
- Material: Aluminum
- Emits light in the photosynthetic active region (400-780nm) of the visible light spectrum
- Light Coverage: 0.2-1.5m<sup>2</sup> installation height for indoor plant factory and 1.6-2.5m<sup>2</sup> installation height for greenhouse.
- Operating Temperature: -20° to 50°C
- Surge Protection: 4KV
- IP Rating: IP65
- Life Span: 20,000 hours

#### Electrical Specifications

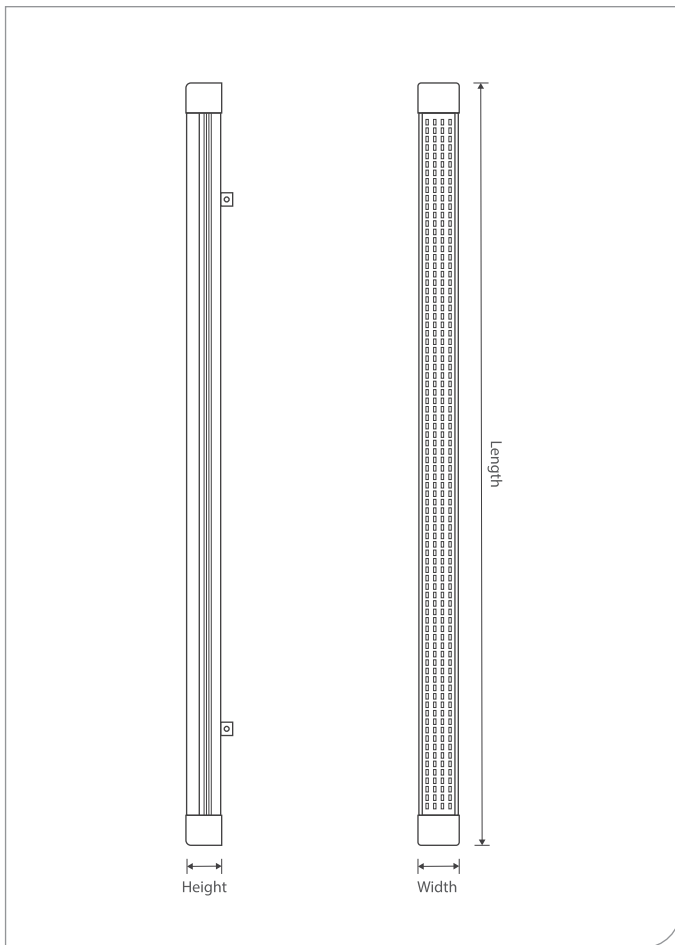
- Rated Supply Voltage: 85-265Vac
- Frequency: 50/60Hz

#### Applications





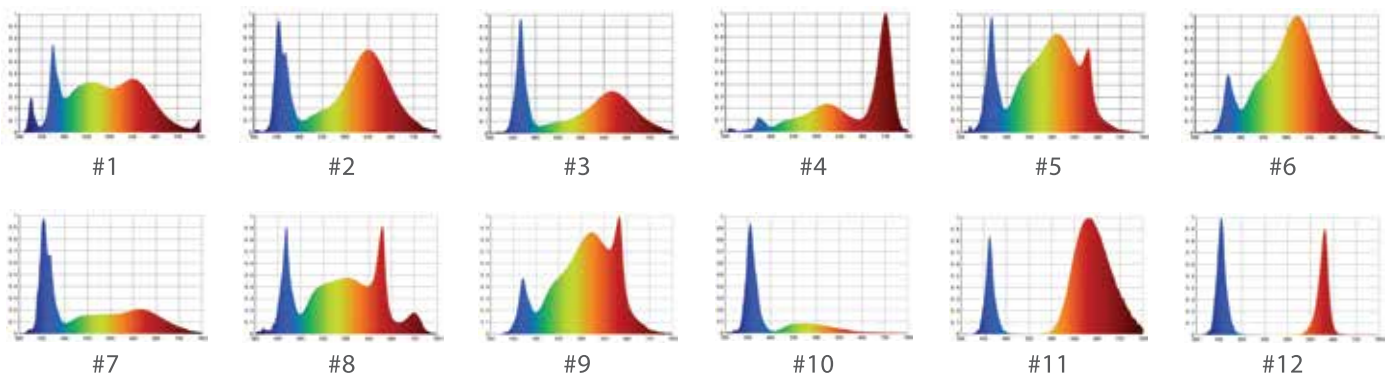
### Technical Drawing



### Technical Specifications

Model	DUG126-100
Power	100W
Light Source	SMD LEDs
CRI	Ra>80
Light Output	2.6-2.8μmol/s per Watt
Length	1270mm
Width	63mm
Height	60mm

### Partial Spectral Distributions





**DUG200-200**

**GROW LIGHT**



#### **Description**

LED Grow Light, uses SMD LED for indoor and outdoor applications. Housing is made of aluminum material.

#### **Product Features**

- SMD LEDs
- Emits Light in the photosynthetic active region (400-780nm)
- Hook hanging ring make it easy installation
- Light Coverage: 16 m<sup>2</sup>
- Operating Temperature: -20°- 50°
- Surge Protection: 4KV
- Material: Aluminum
- 0-1/10V dimming (optional)
- IP Rating: IP65
- Life Span: 30,000 hours

#### **Electrical Specifications**

- Rated Supply Voltage: 100-240Vac
- Frequency: 50/60Hz

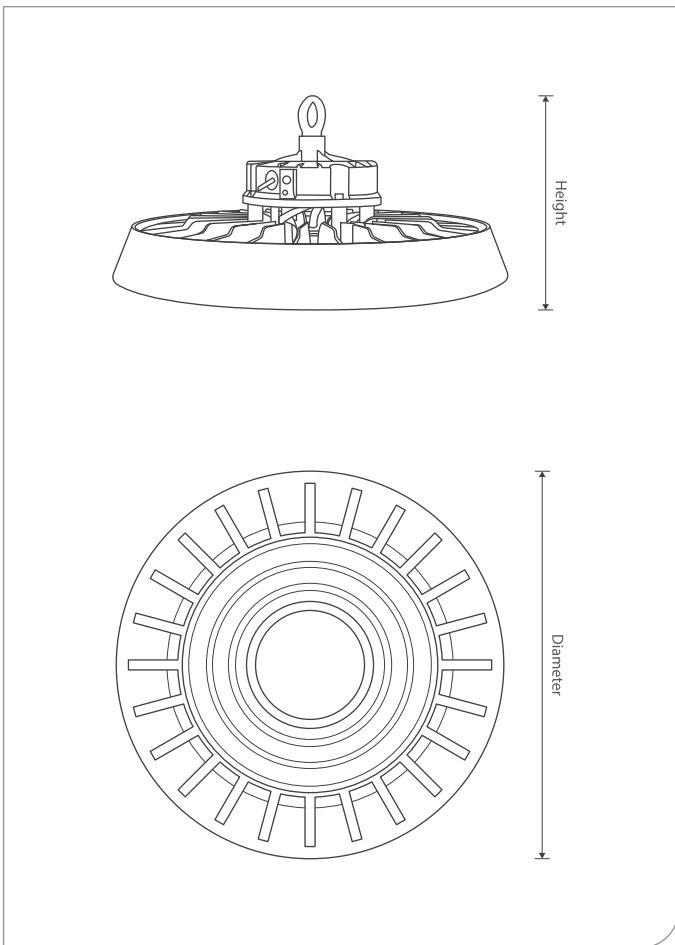


#### **Applications**

-  Outdoor growing
-  Plant Factories
-  Green houses
-  Farms



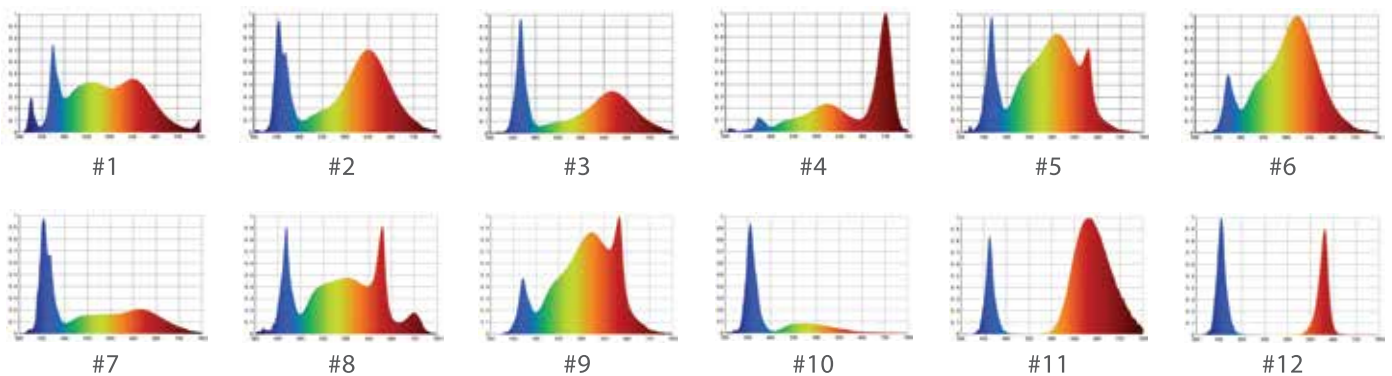
### Technical Drawing



### Technical Specifications

Model	DUG200-200
Power	200W
Light Source	SMD LEDs
Beam Angle	60°/90°/120°
CRI	Ra>80
Light Output	2.6-2.8μmol/s per Watt
Diameter	Φ354mm
Height	122mm

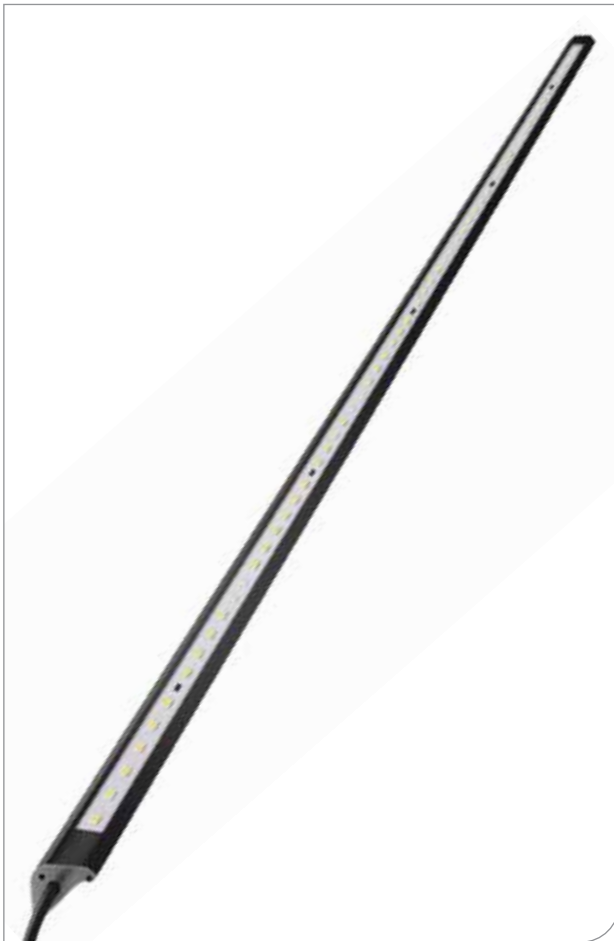
### Partial Spectral Distributions





DUG120-30

GROW LIGHT



#### Description

LED Grow Light, uses SMD LED for indoor and outdoor applications. Housing is made aluminum material.

#### Product Features

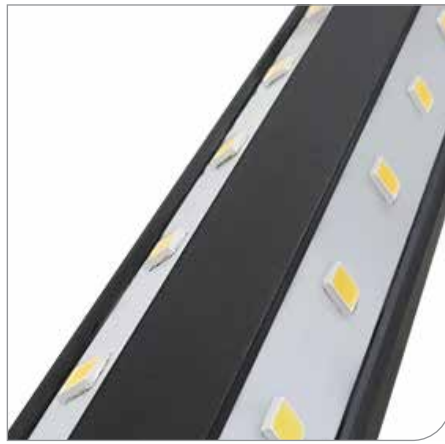
- SMD LEDs
- Emits light in the photosynthetic active region (400-780nm) of the visible light spectrum & UV light
- Light Coverage: 0.2 m<sup>2</sup>
- Operating Temperature: -20° to 50° C
- Material: Aluminum
- 0-1/10V dimming, DALI dimming (optional)
- IP Rating: IP65
- Life Span: 20,000 hours

#### Electrical Specifications

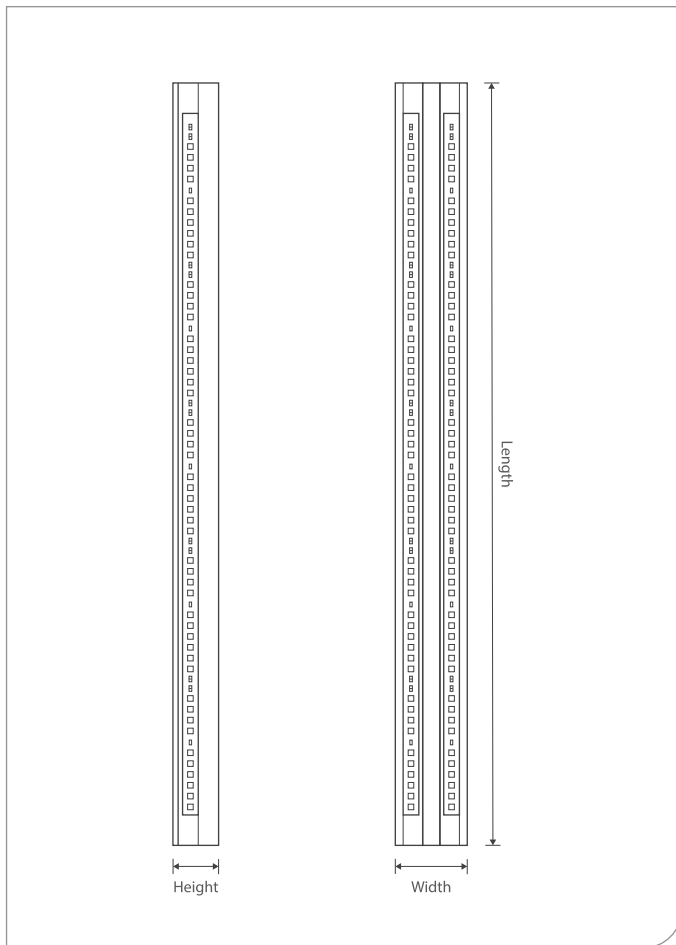
- Input Voltage: 24Vdc/36Vdc

#### Applications





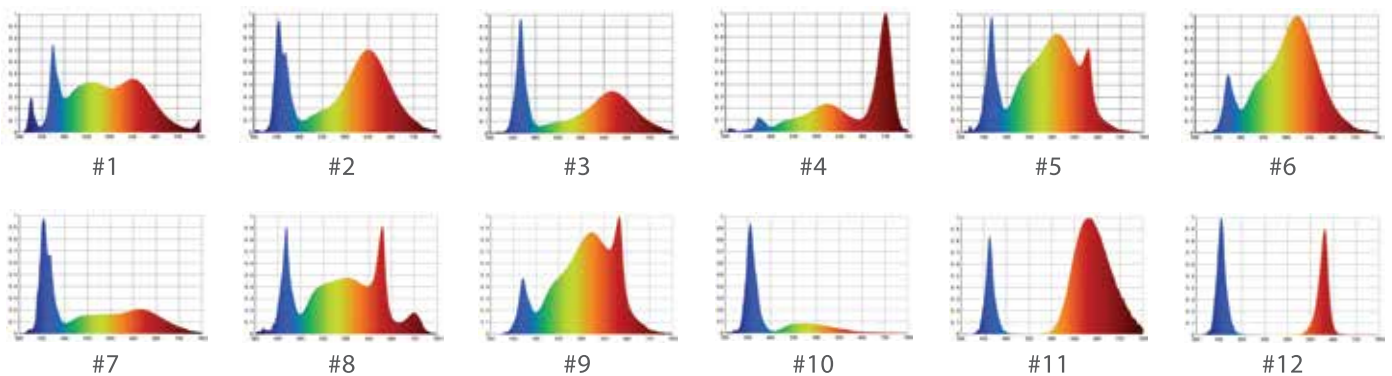
### Technical Drawing



### Technical Specifications

Model	DUG120-30
Power	30W
Light Source	SMD LEDs
CRI	Ra>80
Light Output	2.6-2.8 $\mu$ mol/s per Watt
Length	1170mm
Width	23mm
Height	12mm

### Partial Spectral Distributions





DUG330-50

GROW LIGHT



#### Description

LED Grow Light, uses SMD LED for indoor and outdoor applications. Housing is made aluminum material.

#### Product Features

- SMD LEDs
- Material: Aluminum
- Emits light in the photosynthetic active region (400-780nm) of the visible light spectrum.
- Hook design make it easy installation
- Light Coverage: 16 m<sup>2</sup> Photoperiodic Processing purpose and 9 m<sup>2</sup> for Supplemental Light purpose
- Operating Temperature: -20° to 50° C
- Surge Protection: 2.5KV
- IP Rating: IP64
- Life Span: 20,000 hours

#### Electrical Specifications

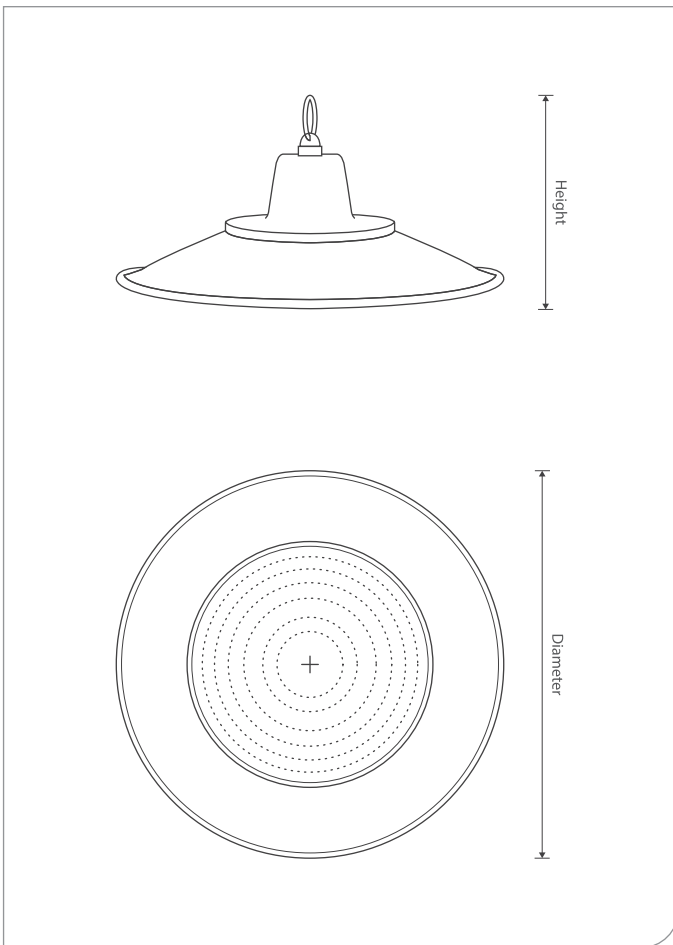
- Rated Supply Voltage: 100-240Vac
- Frequency: 50/60Hz

#### Applications





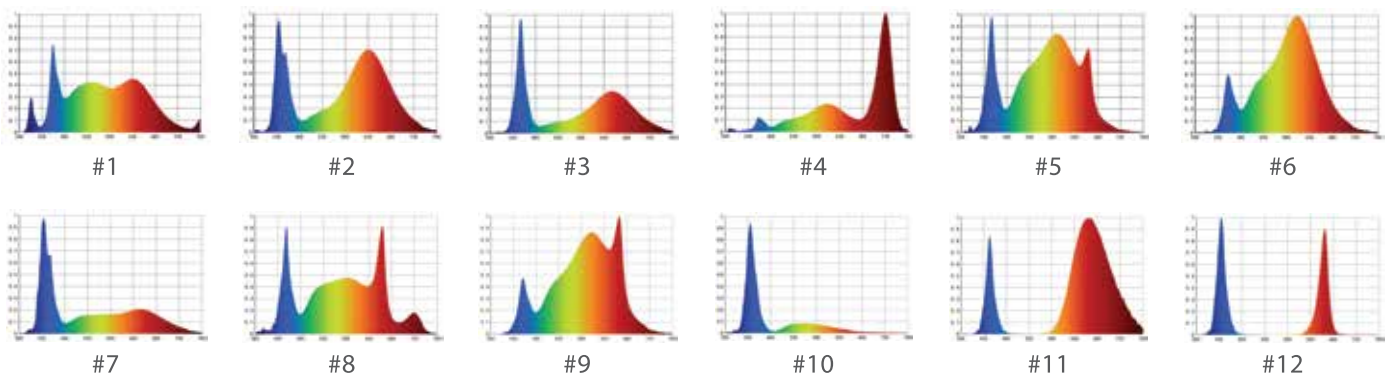
### Technical Drawing



### Technical Specifications

Model	DUG330-50
Power	50W
Light Source	SMD LEDs
CRI	Ra>80
Light Output	2.6-2.8μmol/s per Watt
Diameter	Φ330mm
Height	150mm

### Partial Spectral Distributions





**SMART SOLUTIONS**



**Smart Home** **SMART SOLUTIONS**




**Description**

Smart Home Solution, provides complete automation of lighting system; security system, air-conditioning system, home appliances and curtain control motor. The solution is executed through a combination of IoT, AI and Cloud computing technology, which makes all the home appliances interconnected in order to build a fully automated smart home system.

**Product Features**

- Simple installation, as no wiring is needed when using the ZigBee wireless technology
- More compatible, as it supports to link different brands of smart devices
- Lower power consumption than the traditional way
- More convenient to use because of its user design and interaction

**Applications**

 Residential Areas

 Hotels



## Smart Control Centre System



### Mixpad Genie

Model: **DUMPG**

Screen: 3.27 inches color high-definition touch screen

Functions: Switch lights, home appliance control, temperature/date time display

Interactive mode: Voice, touch screen, buttons, APP

Light control circuit: 3 loop

Mobile phone charging: Support (Type-C)

Wireless protocol: Bluetooth Mesh, Wi-Fi, infrared

Power supply mode: Zero live wire power supply, two-end socket power supply, data line power supply



### Mixpad Mini-Super Smart Panel

Model: **DUMPM-01**

Main control: Quad-core ARM Cortex-A35 architecture processor

Storage: 2GB RAM + 8GB ROM

Display: 4 inches, 480x480P resolution

Touch layer: Multi-touch capacitive screen, AF hydrophobic anti-fouling fingerprint coating

Speaker: AAC 1813 speaker

Microphone: Screen brightness adapts to ambient light

Body material: V0 fireproof PC

Temperature sensor accuracy:  $\pm 1^{\circ}\text{C}$

Humidity sensor accuracy:  $\pm 5\%$

Power supply: 220V zero live wire power supply

Number of supported devices: 350 sets

Number of scenarios supported: Unlimited

Support network standards: Wi-Fi, Bluetooth, Zigbee 3.0

Zigbee networking: Built-in gateway



### Mixpad S All-in-one Gateway Panel

Model: **DUMPMP-01**

Main Control: Quad-core ARM Cortex-A35 architecture processor

Storage combination: 2GB RAM + 8GB ROM

Display: 4 inches, 480x480P resolution

Touch layer: Multi-touch capacitive screen, AF hydrophobic anti-fouling anti-fingerprint coating

Speaker: AAC 1813 speaker

Microphone: Dual microphone array, symmetrical noise reduction, 7 meters far-field recognition

Light sensor: Screen brightness adapts to ambient light

Distance sensor: Automatic wake-up, 10 ~ 15cm gesture sensing

Body material: V0 fire-resistant PC + 30% glass fiber

Temperature sensor accuracy:  $\pm 0.5^{\circ}\text{C}$

Humidity sensor accuracy:  $\pm 0.1\%$

Power supply: 220V zero fire wire power supply

Number of supported devices: 350

Number of supported scenarios: Unlimited

Support network standards: Wi-Fi, Bluetooth, Zigbee 3.0

Zigbee networking: Built-in gateway



### Zigbee Mini Hub

Model: **DUVS10ZW**

Communication protocol: Zigbee HA

Networking mode: Zigbee automatic networking

Wireless standard: IEEE 802.15.4

Working Frequency: 2.4GHz

Working Channel: 11, 14, 15, 19, 20, 24, 25

Modulation mode: OQPSK

Encryption: AES128

Communication rate: 250Kbps

Wireless transmitting power:  $\leq 18\text{dBm}$

Wireless receiving sensitivity:  $\geq -90\text{dBm}$

Size: 88x90x27mm (LxWxH)

Power supply: 5V/1A



### Allone Pro RF Smart Hub

Model: **DUVS20RB**  
 Modulation Way: OOK/2FSK/2GFSK/GMSK  
 Material: PC/ABS/Nickel Plated Iron  
 IR Frequency: 20 to 60KHz  
 Working Temp: -20 to 55°C  
 Wi-Fi Network: Wi-Fi 2.4GHz, 802.11 b/g/n  
 Input Power: 5V === 1A Micro USB  
 RF Type: RF 433.92MHz  
 Standby Power Consumption: <0.5W  
 Size: 110 x 110 x 31mm

## Smart Lighting System



### Touch Classic-1 Gang

Series: Touch Classic Zigbee Switch Series  
 Model: **DUT30W1Z**  
 Load Range: 600W max  
 Product Size: 86x90x38mm  
 Input Voltage: 250V~, 50/60Hz  
 Wiring Method: L & N wire  
 Working Temperature: -20°C~60°C  
 Working Humidity: ≤80%  
 Wireless Protocol: Zigbee HA  
 Encryption: AES-128bit dynamic encryption  
 Frequency: 2.4GHz, IEEE 802.15.4  
 Transmission Distance: 60m (open area)



### Touch Classic - Scene Switch

Series: Touch Classic Zigbee Switch Series  
 Model: **DU30S3Z**  
 Product Size: 86x90x38mm  
 Input Voltage: 250V~, 50/60Hz  
 Wiring Method: L & N wire  
 Working Temperature: -20°C~60°C  
 Working Humidity: ≤80%  
 Wireless Protocol: Zigbee HA  
 Encryption: AES-128bit dynamic encryption  
 Frequency: 2.4GHz, IEEE 802.15.4  
 Transmission Distance: 60m (open area)



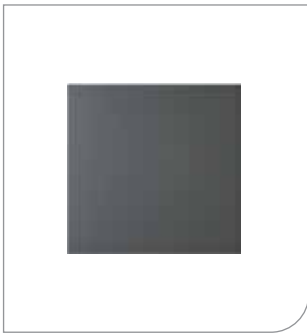
### Touch Classic-2 Gang

Series: Touch Classic Zigbee Switch Series  
 Model: **DUT30W2Z**  
 Load Range: 600W max / gang  
 Product Size: 86x90x38mm  
 Input Voltage: 250V~, 50/60Hz  
 Wiring Method: L & N wire  
 Working Temperature: -20°C~60°C  
 Working Humidity: ≤80%  
 Wireless Protocol: Zigbee HA  
 Encryption: AES-128bit dynamic encryption  
 Frequency: 2.4GHz, IEEE 802.15.4  
 Transmission Distance: 60m (open area)



### Touch Classic-3 Gang

Series: Touch Classic Zigbee Switch Series  
 Model: **DUT30W3Z**  
 Load Range: 200W max / gang  
 Product Size: 86x90x38mm  
 Input Voltage: 250V~, 50/60Hz  
 Wiring Method: L & N wire  
 Working Temperature: -20°C~60°C  
 Working Humidity: ≤80%  
 Wireless Protocol: Zigbee HA  
 Encryption: AES-128bit dynamic encryption  
 Frequency: 2.4GHz, IEEE 802.15.4  
 Transmission Distance: 60m (open area)



### Mix Switch-1 Gang

Series: Mix Switch Series  
 Model: **DUT40W1Z**  
 Product Size: 86x86x40mm  
 Power supply: Live wire and Neutral wire  
 Input voltage: 220V~,50/60Hz  
 Load range: 200W/loop  
 Wireless protocol: Zigbee  
 Operating temperature: -20°C to 60°C  
 Working humidity: ≤85%RH  
 Wireless communication distance: 80m



### Zigbee RGB Relay

Model: **DURL804CZB**  
 Size: 70x70x23mm (LxWxH)  
 Power supply: DC12V & DC24V  
 Max load current: 20A  
 Working frequency: 2.4GHz  
 Wireless Transmit power: 20dBm  
 Static power consumption: <0.1W  
 Wireless receiving sensitivity: ≥-90dBm  
 Protocol: Zigbee HA  
 Networking mode: Zigbee automatic networking  
 Encryption: AES128  
 Distance: no limit  
 Working temperature: -20 to 60°C  
 Working humidity: ≤80%



### Mix Switch-2 Gang

Series: Mix Switch Series  
 Model: **DUT40W2Z**  
 Product Size: 86x86x40mm  
 Power supply: Live wire and Neutral wire  
 Input voltage: 220V~, 50/60Hz  
 Load range: 200W/loop  
 Wireless protocol: Zigbee  
 Operating temperature: -20°C to 60°C  
 Working humidity: ≤85%RH  
 Wireless communication distance: 80m



### Touch Classic-3 Gang

Series: Touch Classic Zigbee Switch Series  
 Model: **DUT40W3Z**  
 Product Size: 86x86x40mm  
 Power supply: Live wire and Neutral wire  
 Input voltage: 220V~, 50/60Hz  
 Load range: 200W/loop  
 Wireless protocol: Zigbee  
 Operating temperature: -20°C to 60°C  
 Working humidity: ≤85%RH  
 Wireless communication distance: 80m



### In Wall Switch (Single Live)

Model: **DUR20W2Z**  
 Working voltage: 110-240V, 50/60Hz  
 Load range: Incandescent/halogen MAX 200W/road;  
 LED/fluorescent MAX 100W/road  
 Product size: 46x50.5x18mm  
 Communication protocol: Zigbee  
 Working environment: Temperature -20 to 60°C; humidity ≤80%  
 Incandescent/halogen lamp (resistive load): 200W (Max)  
 LED light/fluorescent light (inductive or capacitive load): 100W (Max)



### 2K Smart IP Camera

Model: **DUSC41PT**

Body material: Aluminum alloy metal body

Pixel: 2K (300W)

Viewing angle range: Horizontal: 360°; vertical: 210°

Night vision function: 10m IR HD night vision; support low-light full-color

Sound detection: Abnormal sound and crying detection

Mobile tracking: Support

Humanoid detection: Support

Communication method: WiFi 2.4GHz/5GHz

Installation method: Desktop/Wall installation (up/down)

Storage method: Micro SD card (Max 128G) and cloud storage



### Smart PTZ Camera

Model: **DUSC32PT**

Infrared irradiation distance: 5~10m

Focal length: 3.6mm

Lens angle: FOV 125°~130°

Electronic shutter: 1/25---1/10000 seconds

Sensor: 1/2.7" CMOS

Pixel: 2 million; 1920(H)x1080(V)

PTZ angle: Horizontal 355°, vertical 75°

Day and night conversion: Automatic

Backlight compensation: Automatic

White balance: Automatic



### Smart Door Lock C1

Model: **DUSMDLC1**

Product specifications: 352mmx70mmx67mm (panel)

Power parameter: DC 3V

Battery type: 4 AA batteries, 2 cells / group

Working current: <100mA

Standby current: <50μA (400 days battery life)

Emergency power supply interface: Type C interface

Emergency power supply: DC 5V

Fingerprint recognition type: Biometrics (Swedish FPC fingerprint chip)

Fingerprint rejection rate: <0.1%

Fingerprint recognition rate: <0.0001%

User capacity: 25 users (each user supports 4 fingerprints and 2 sets of passwords and 2 sets of cards)

Wireless module: WiFi

Unlocking method: Fingerprint, password, card, mechanical key, APP , NFC

Intelligent alarm: Anti-theft , crisis unlock , low battery

Intelligent status monitoring: Networking status, battery power

Working temperature: -20 °C to 50 °C

Operating humidity: 0 ~ 90% RH

Door lock material: Aluminum alloy + ABS + tempered glass

Flame retardant rating: UL94 V-0



### Smart Door Lock S2

Model: **DUSMDLS2**

Front panel size: 337mmx67mmx71.3mm (including handle height)

Rear panel size: 337mmx67mmx71.3mm (including handle height)

Guide plate size: 24mmx240mmx3mm (standard)

Operating Voltage: 7.5V (10 LR6 alkaline batteries, 5 cells/group)

Password capacity: 25 users, 5 temporarily authorized users. Each user can set fingerprints: 3 for normal, 1 for emergency

Password: 1 ordinary, 1 emergency

Wifi networking: Connect to the network through wifi to realize the network function

Unlocking method: Fingerprint, password, NFC card, encryption card, remote authorization, mechanical key

Smart alarm: Low voltage alarm, prying alarm, emergency unlocking alarm, unlocking verification failure alarm

Working temperature: -20°C to 60°C

Working humidity: 10% to 90%

Door lock material: 350 sets

Emergency power interface: Type\_C USB 5V

Card: 2 pcs



### Sensor Access Module

Model: **DUCV10ZW**

Power Supply: DC12V/ 1A

Protocol: Zigbee HA

Working Temperature: -20°C to 60°C

Product Size: 70x70x23mm

Wireless Frequency: 2.4GHz

Encryption Mode: AES-128

Working Humidity: ≤80%



### Motion PIR Sensor

Model: **DUSN10ZW-1CO**

Power supply: 2 AA batteries

Standby current: ≤50μA

Alarm current: ≤250mA

Communication protocol: Zigbee HA

Wireless standard: IEEE 802.15.4

Wireless frequency: 2.4GHz Channels: 11, 14, 15, 19, 20, 24 & 25

Modulation mode: OQPSK

Encryption mode: AES-128

Communication speed: 250 Kbps

Transmission power: ≤4.5dBm

Receiver sensitivity: ≥ -90dBm

Detection range: ±70 degrees vertically, ±120 degrees horizontally

Detection distance: 7m

Communication distance: 80m (open area)

Casing material: PC+ABS

Operating environment: -10 - 50°C

Operating humidity: 10% - 90% RH

Transmitter dimensions: 61.5x30.3x11.7mm

Dimensions: Ø52.6x63.6mm



### Door/Window Sensor

Model: **DUDWS-01**

Wireless frequency: 2.4GHz

Power supply: CR2032 button battery

Wireless standard: IEEE 802.15.4

Case Material: PC+ABS

Transmitter dimensions: 61.5x30.3x11.7mm

Operating environment: -10 to 50°C

Magnet dimensions: 44.8x10.9x7.9mm

Infrared Remote Angle: Operating humidity

Communication protocol: Zigbee HA



### Temperature and Humidity Sensor

Model: **DUST30**

Size:  $\Phi$ 61.2x23mm

Working voltage: 3V (AAA battery)

Standby current:  $\leq$ 30uA

Working current:  $\leq$ 30mA

Networking method: Zigbee

Wireless networking distance:  $\leq$ 80 meters (open environment)

Working environment: -10°C to 55°C

Accuracy error: Temperature  $\pm$  0.3°C, humidity  $\pm$  3%

Installation method: Wall-mounted or table-mounted



### Smart CO (Carbon Monoxide) Sensor

Model: **DUSP20**

Working Voltage: DC3V (CR123A lithium battery)

Standby Current:  $\leq$ 20 $\mu$ A

Alarm Current:  $\leq$ 60mA

Alarm Voice Volume: 85dB/ 1m

Networking Way: ZigBee auto-networking

Wireless Distance:  $\leq$ 70m (open area)

Working Temperature: -10°C-50°C

Working Humidity: Max 95%RH

Alarm Concentration: 30ppm,  $\leq$ 120min; 50ppm,  $\leq$ 60-90min; 100ppm,  $\leq$ 10-40min; 300ppm,  $\leq$ 3min

Product Size: 54x54x45 mm



### Smart Combustible Gas Sensor

Model: **DUSG30**

Size:  $\Phi$ 85x29.6mm

Detection gas: Natural gas (methane)

Working voltage: AC110V ~ 220V

Alarm concentration: 8% LEL  $\pm$  2% LEL

Alarm mode: Sound and Light alarm; sound >72dB (1m)

Networking method: Zigbee

Wireless networking distance:  $\leq$ 80 meters (open environment)

Working environment: -10°C to 55°C

Ambient humidity: maximum 95% RH



### Smart Smoke Sensor

Model: **DUSF30**

Size:  $\Phi 90 \times 37 \text{mm}$

Working voltage: 3V (CR123A battery)

Standby current:  $< 6 \mu\text{A}$

Alarm current:  $< 30 \text{mA}$

Low voltage warning:  $2.6 \text{V} \pm 0.2 \text{V}$

Alarm sound pressure: 80dB / 3M

Networking method: Zigbee

Wireless networking distance:  $\leq 80$  meters (front 3m)

Working environment:  $-10^\circ\text{C}$  to  $55^\circ\text{C}$

Ambient humidity: maximum 95% RH

Installation method: Ceiling



### Smart Water Leakage Sensor

Model: **DUSW30**

Size:  $\Phi 50 \times 18 \text{mm}$

Working voltage: 3V (CR2032 battery)

Standby current:  $< 10 \mu\text{A}$

Alarm current:  $< 30 \text{mA}$

Networking method: Zigbee

Wireless networking distance:  $\leq 80$  meters (open environment)

Working environment:  $-10^\circ\text{C}$  to  $55^\circ\text{C}$

Detection method: Water sensor

Alarm mode: Local-light alarm; remote push alarm

Installation method: Placed directly in the area to be tested



### Smart Emergency Button

Model: **DUSE30**

Size:  $\Phi 50 \times 16 \text{mm}$

Working voltage: 3V (CR2032 battery)

Standby current:  $\leq 5 \mu\text{A}$

Working current:  $\leq 30 \text{mA}$

Networking method: Zigbee

Communication distance:  $\leq 80$  meters (open environment)

Working environment:  $-10^\circ\text{C}$  to  $55^\circ\text{C}$

Receiving sensitivity:  $-96 \text{dBm}$

Installation method: Direct placement or paste

## Smart Curtain Control System



### Smart Curtain Motor Kit

Model: **DUW50CZ**

Size: 250x35x35mm

Power Supply Method: Power cable, Lithium battery

Battery Capacity: 2200mAh

Operation: 1.0Nm, 100rpm

Communication Protocol: Zigbee HA, RF 433

Straight Track (Double/Single side): 50kg (3m), 40kg (4m)

L Track (Double/Single side): 400mm (Radius of Arc), 40kg (3m), 30kg (4m)



### Smart Curtain Motor

Model: **DUW40CZ**

Size: 293x78x45mm

Operation: 1Nm, 80rpm

Communication Protocol: 433.92MHz, Zigbee 2.4G

Rated voltage: AC100-240V

Rated power supply: 72W

Protection level: IP20

Straight Track (Double/Single side): 50kg (4m), 40kg (6m), 30kg (8m)

L Track (Double/Single side): 400mm (Radius of Arc), 40kg (4m), 30kg (6m), 20kg (8m)



### Multi-Functional Relay

Model: **DUCM10ZW**

Size: 70x70x23mm

Power supply: 100-240V~, 50-60Hz

Max current: 1A (per loop)

Working frequency: 2.4GHz

Wireless transmitting power: 20dBm

Static power consumption: <1W

Wireless receiving sensitivity: <-90dBm

Protocol: ZigBee HA

Networking mode: ZigBee automatic networking

Encryption: AES128

Working distance: 100 m (in the open space)

Working temperature: -20~60°C

Working humidity: ≤80%

## Smart Air Conditioning System



### Central AC Control Panel

Model: **DUT10W1**

Size: 86x86x15mm

Communication Distance: <200ft

Voltage: 100-240VAC, 50/60Hz

Current Load: 1A (Inductive Load), 2A (Resistive load)

Temperature Range: 10°C to 30°C

Control Precision: ±1°C

Wireless Frequency: 2.4GHz, IEEE 802.15.4

Wireless Protocol: ZigBee HA



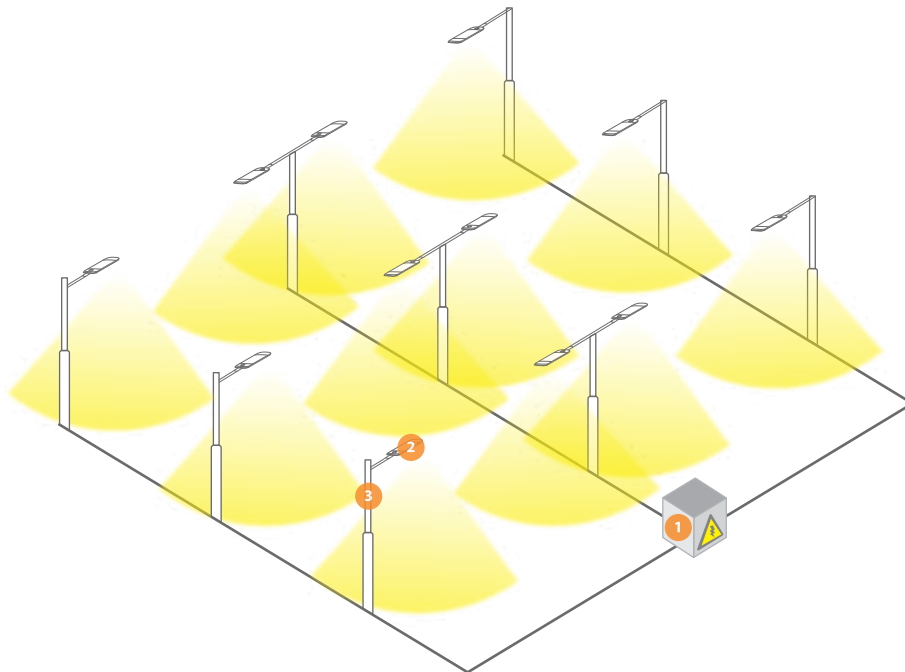
# SMART CITY

## SMART SOLUTION

### Smart Streetlight

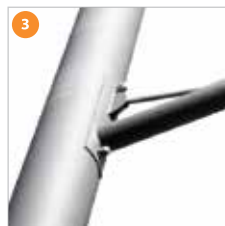
A Smart Streetlight is a public lighting fixture that incorporates technology, such as; cameras, light-sensing photocells and other sensors, to introduce real-time monitoring functionalities. The technology behind smart streetlights can vary depending on its features and requirements, but typically, it involves a combination of cameras and sensors. When implemented on standard streetlights, these devices can detect movement that enables dynamic lighting and dimming. It also allows neighboring fixtures to communicate with each other. If a pedestrian or car is detected, all surrounding lights will brighten until movement is no longer captured. Additional capabilities of smart streetlights may require more technology, such as image sensors, seismic sensors, sound sensors, speakers, weather and water detection sensors, and wireless transmitters.

### Street Lighting Infrastructure overview:



### Main elements of a Street Lighting System

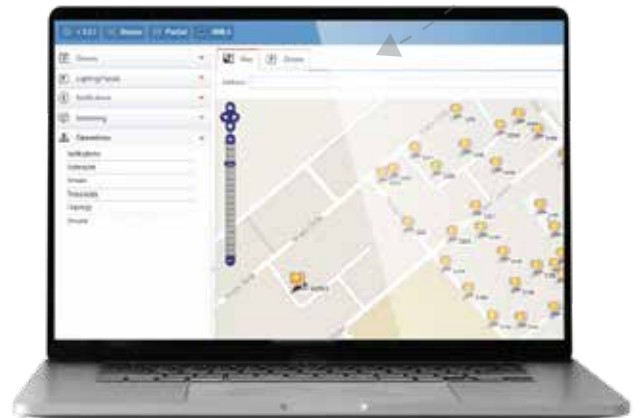
- Lamp
- Luminaire
- LED driver
- Streetlight poles
- Power cabinet
- Sensors
- Contactors



## Smart Street Lighting Control Systems



- 1 Real time control
- 2 Smart Schedule
- 3 Power supply during the day and communication  
for Smart City sensors and actuators
- 4 Dimming
- 5 Real time alerts
- 6 Grid monitoring

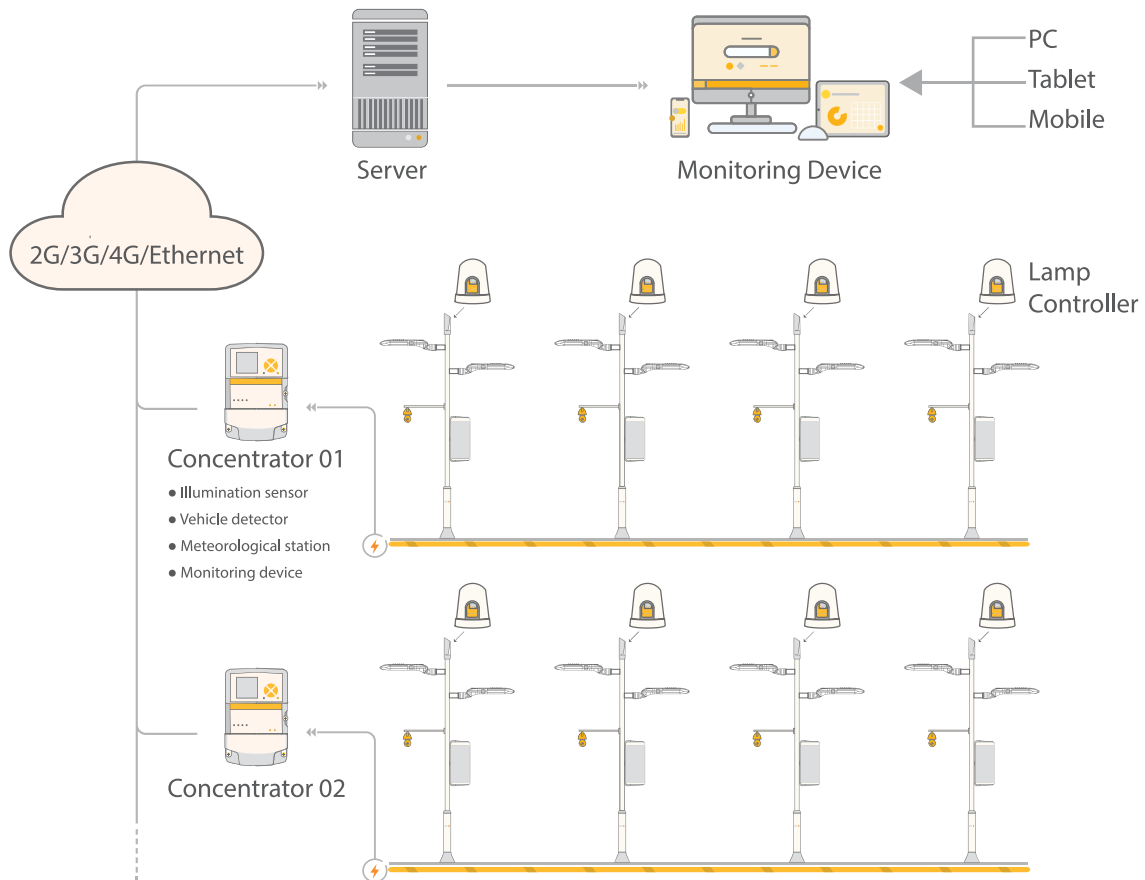


Smart Street Lighting Software

A Smart Street Lighting System controlled at segment-level comprises a cluster of up to 200 Streetlight lamps that communicate to a power cabinet, which allows automatic on/off control. The feeder pillar receives data from the lamps, manages and transmits the relevant data to a secure server, which stores and displays it on a dashboard. Individual lamp control is handled via luminaire controllers which have lamp-level functionality and intelligence, and allows for on/off/dimming control or adaptive lighting. Luminaire controllers can also provide electrical parameters feedback for every lamp, real time malfunction reporting and optional sensors to measure; light, motion, temperature, humidity, noise, etc. In addition, lamp-level control keeps the lighting grid powered-up during the day, which allows the installation of other Smart City applications, including; sensors, controllers, CCTV cameras or communication devices. The main standards of lamp control are 0-10, DALI1, DALI2 (Digital Addressable Lighting Interface).

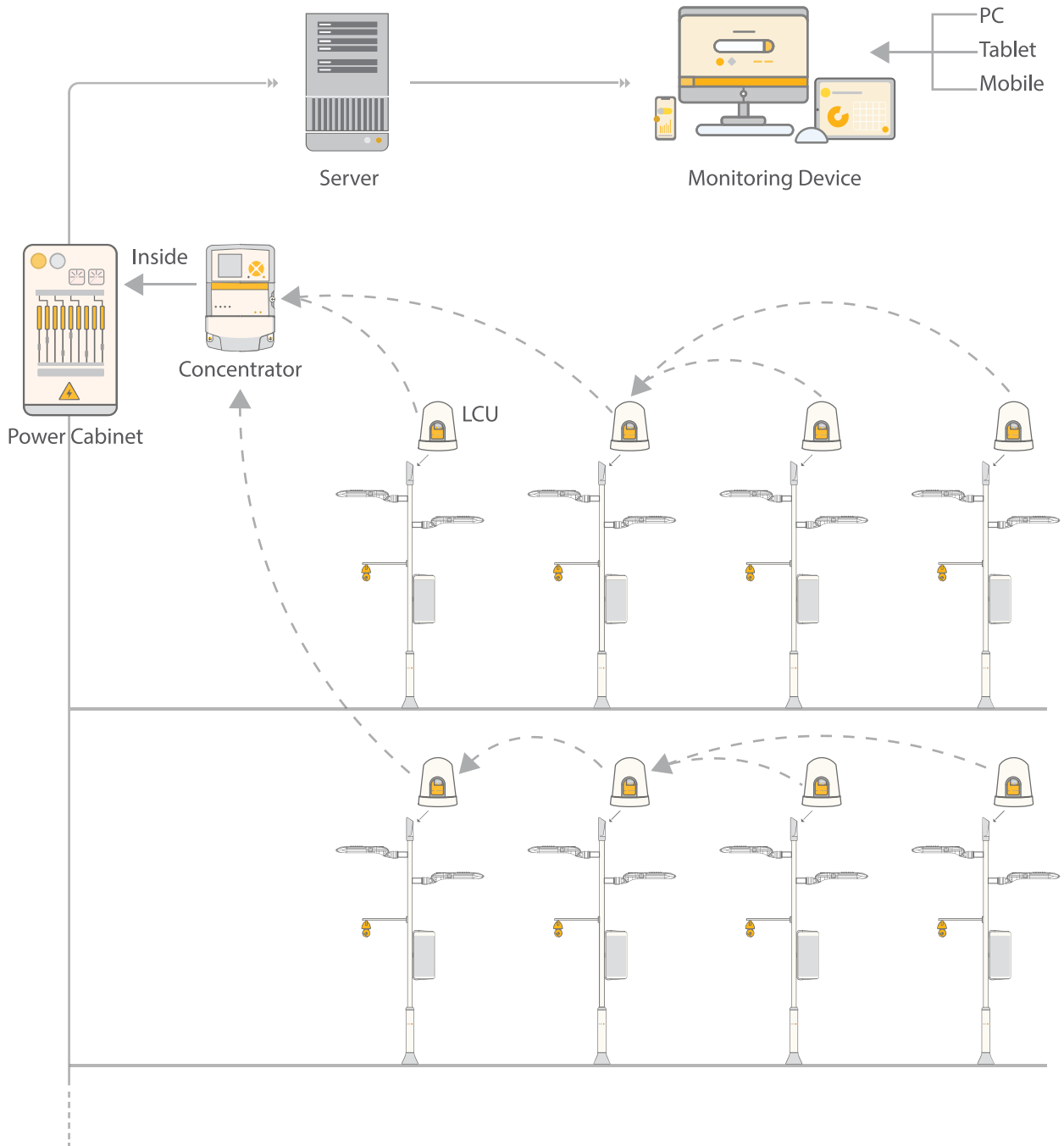
# Communication Technology

## PLC Solution



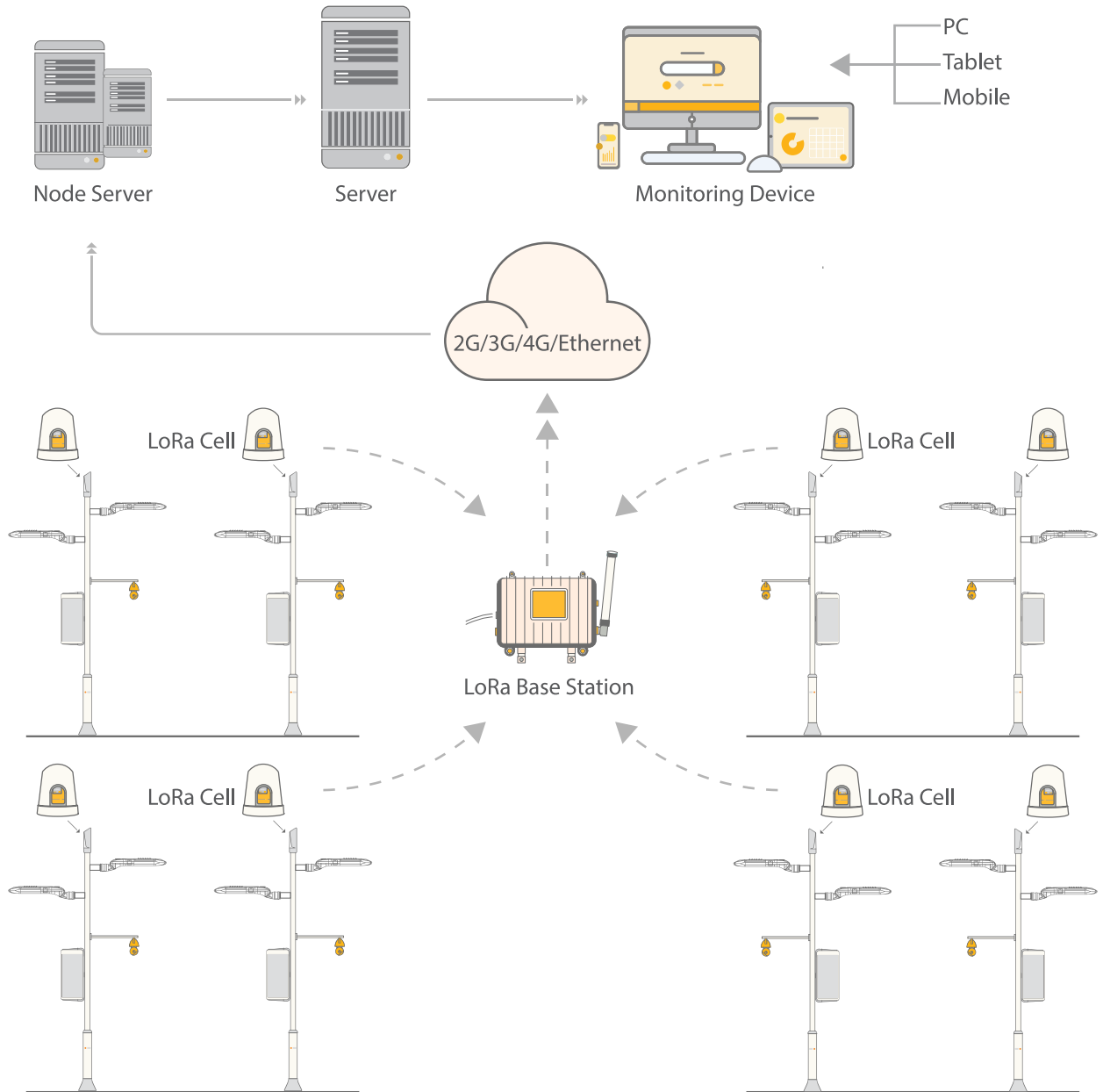
## Main Features

- Point to point transmission distance is upto 500m, the total distance after automatic relay by the lamp controller is no more than 2km
- Up to 500 lamp controllers can be managed by a concentrator
- The lamp controller can control LED lighting fixtures with power upto 400W
- It supports two dimming modes: PWM and 0-10V, reverse mode can be configured
- PLC solution uses the original power cable for signal transmission, no need to install signal lines
- Remote real time control and scheduled lighting by group or individual lamp, remote control on power circuit
- Alarm on the power supply of the cabinet and lamp parameters



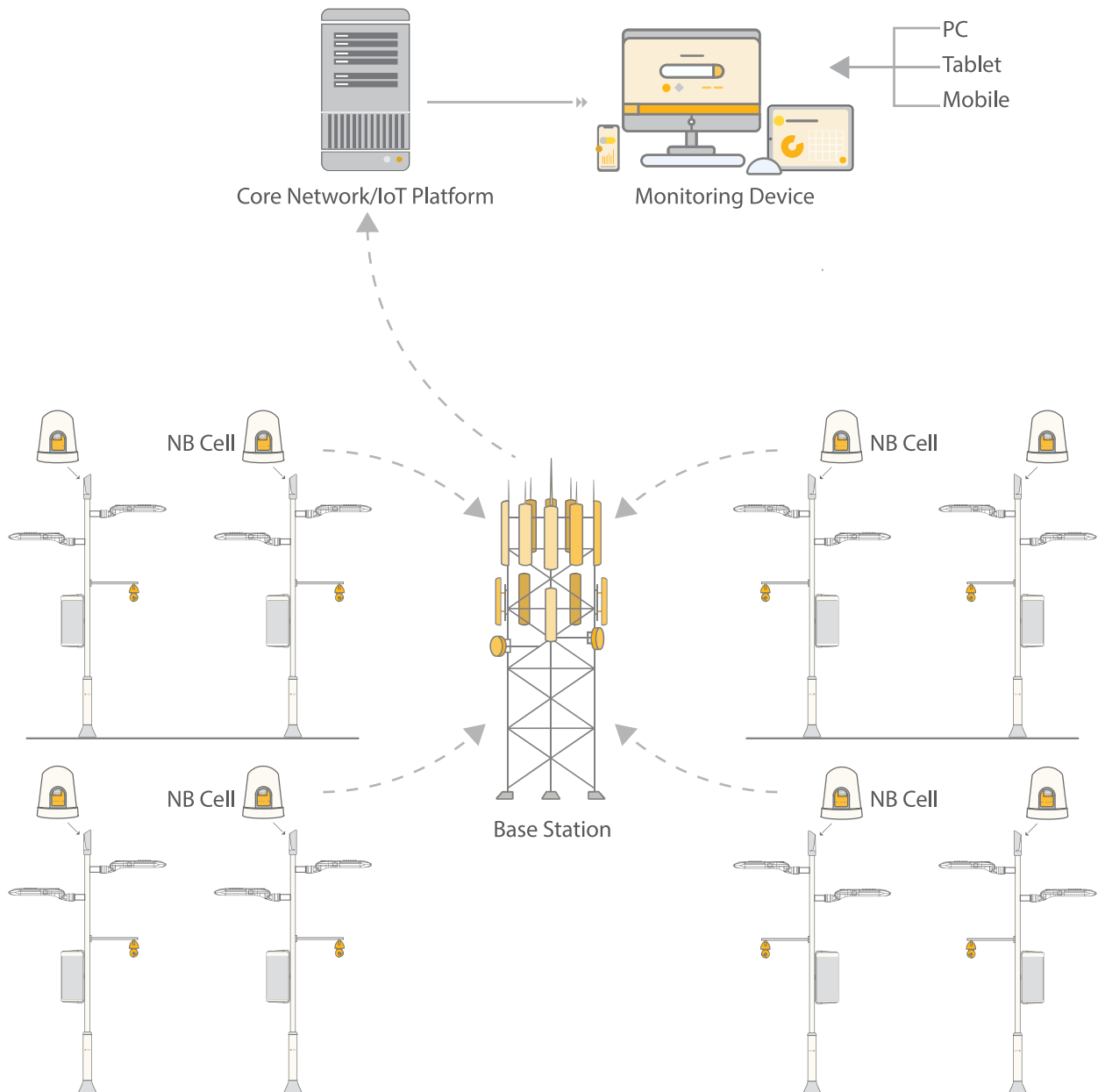
### Main Features

- Long range low power radio frequency communication with one time relay
- Up to 1000 lamp controllers can be managed by a concentrator with maximum transmission distance of 4000m after relay by a lamp controller
- It supports two dimming modes: 0-10V and DALI
- Private wireless network by RF-Mesh concentrator, the network server is not needed compared to LoRaWAN
- Remote real time control and monitor on the lamps, scheduled lighting by group or individual lamp
- Alarm on the lamp failure
- Pole tilt, GPS option



### Main Features

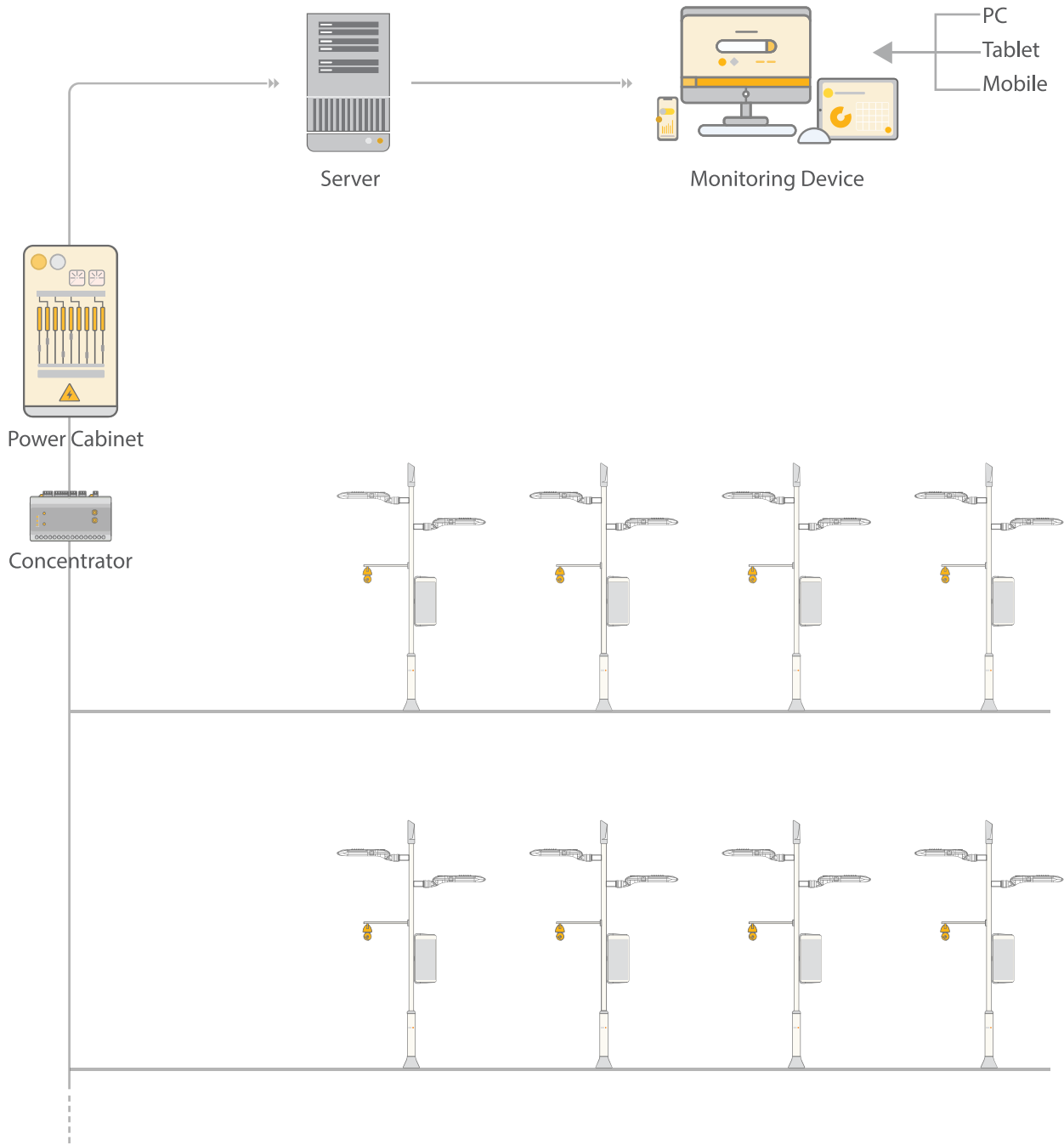
- Long range low power radio frequency communication, supports standard LoRaWAN specification
- Up to 2000 lamp controllers can be managed by a gateway with maximum transmission distance of 1500m
- It supports two dimming modes: 0-10V and DALI
- LoRaWAN Gateway and network server for device management are needed
- Remote scheduled lighting by group on individual lamp and data collecting
- Alarm on the lamp failure
- Pole tilt, GPS options



**Main Features**

- LTE(Cat.1/Cat.4) wireless communication
- No limit on the number of lamp controllers and transmission distance
- Supports two dimming modes: 0-10V and DALI
- It uses base station provided by local network operator, no need to install gateways
- Remote real time control and scheduled lighting by group or individual lamp
- Alarm on the lamp failure
- Pole tilt, GPS options

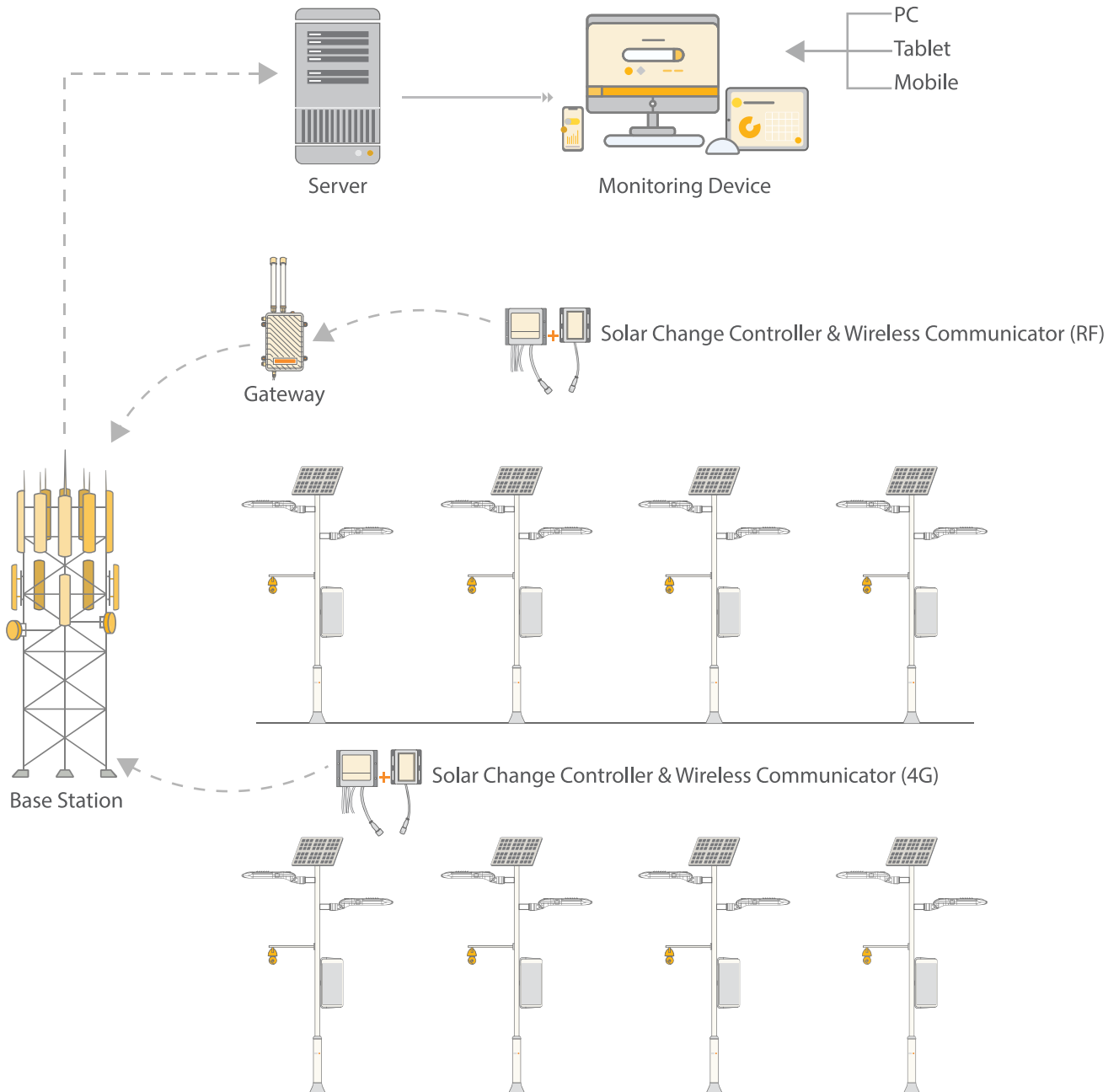
## Circuit Control Solution



## Main Features

- Remote real time control and scheduled lighting on the circuit based on time and sunrise/sunset
- Alarm on the power supply status of the cabinet and automatic notification
- Energy monitoring and billing report on cabinet level

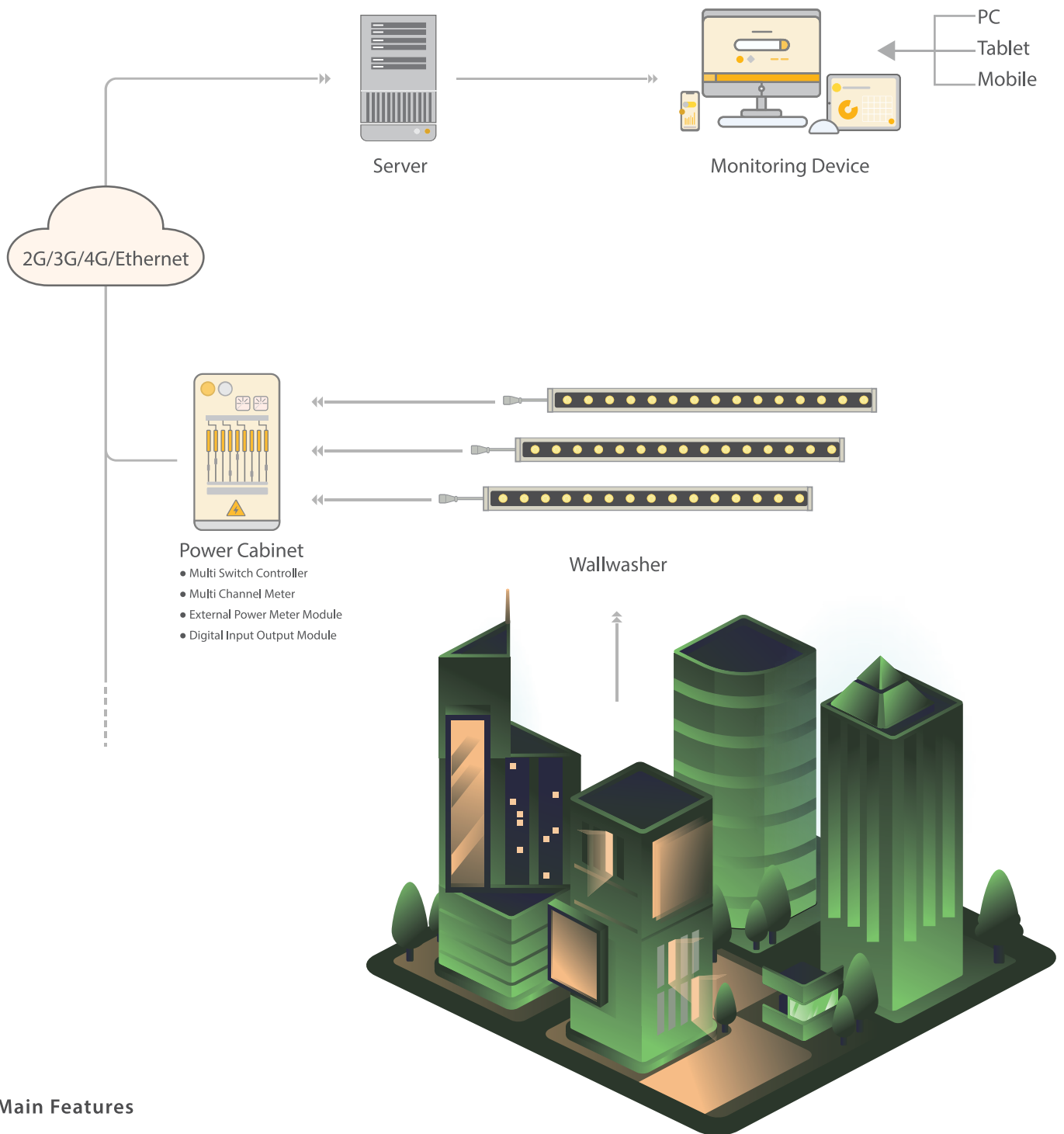
## Solar Solutions



## Main Features

- RF-Mesh and LTE communication available
- The IoT communicator work with solar charging controller the solar lamps and monitor on the status of solar battery, panel and lamp
- Lighting time and dimming plan from central management platform
- Alarm on the lamp, battery and panel failure

## Facade Lighting



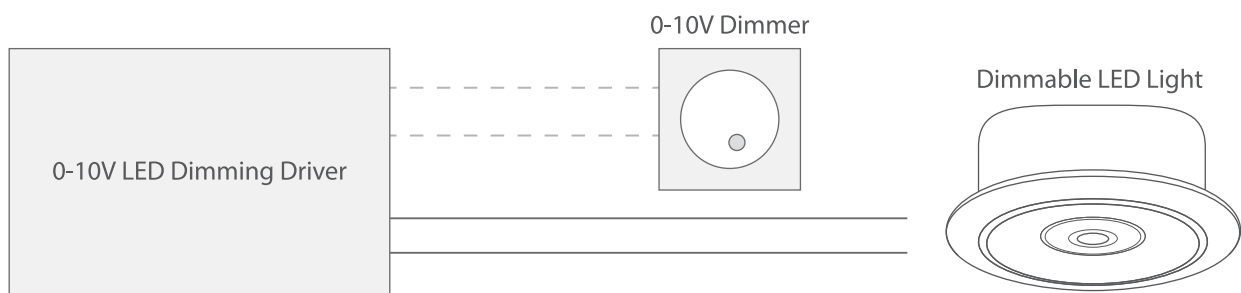
## Main Features

- LTE and Ethernet communication
- Real-time monitoring on the status of lighting facilities and power cabinet
- Poractive alarm of abnormal information
- Maintanance management such as alarm management, tickets dispatching and fault repairs
- Set group lighting strategy to play the same lighting show programs synchronously on various buildings
- Lighting schedule can be set energy-saving,ordinary,weekend and major holiday modes, which reduces a lot of manual work
- Energy consumption can be calculated per building by day,month and year

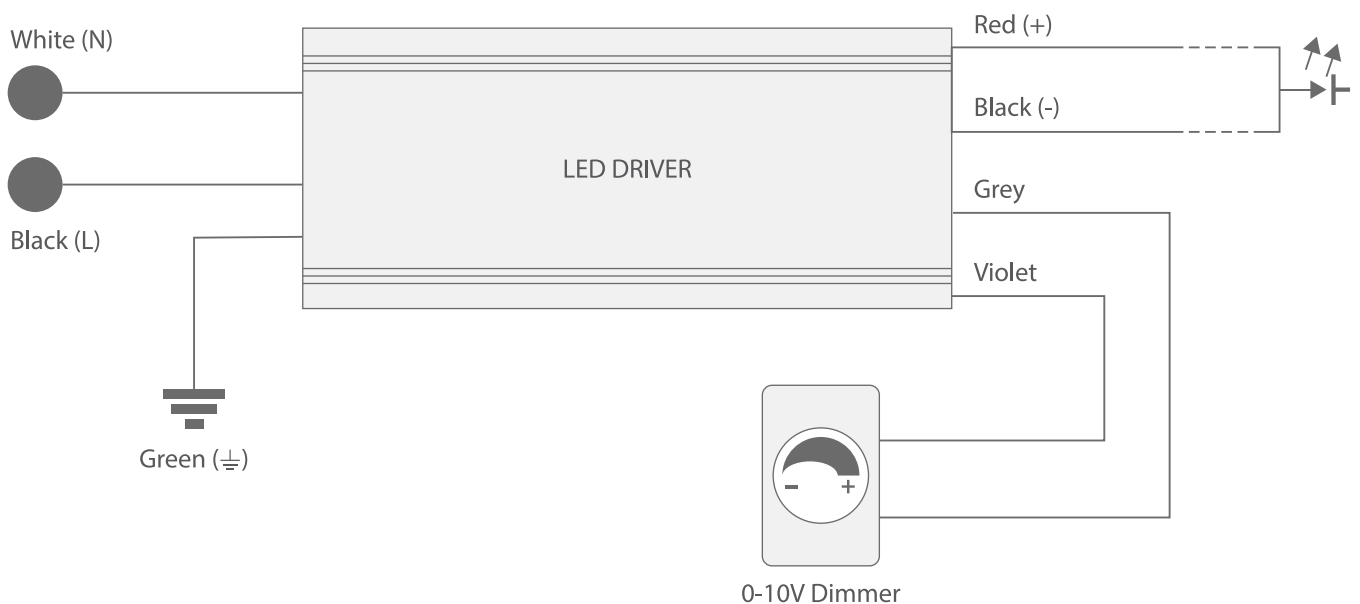
## Control Options

### 0-10V Dimming

0-10V Dimming is a lighting control method that, on direct current voltage (DC) between 0 and 10 volts, can produce light at varying intensity levels. 0-10V dimming is the simplest control system for lighting, providing smooth operation and dimming down to 10%, 1%, and even 0.1% light level. At 10 volts, the light will go to maximum power. At 0 volts, the light will dim to its minimum light level, although sometimes a switch is required to turn the lights off completely. This easy lighting control system connects to your LED fixtures to provide Flexible Lighting Solutions and ambiance. With varying intensity levels, using a 0-10V Dimmer, allows you to create lighting to suit a mood or activity through a reliable technology.

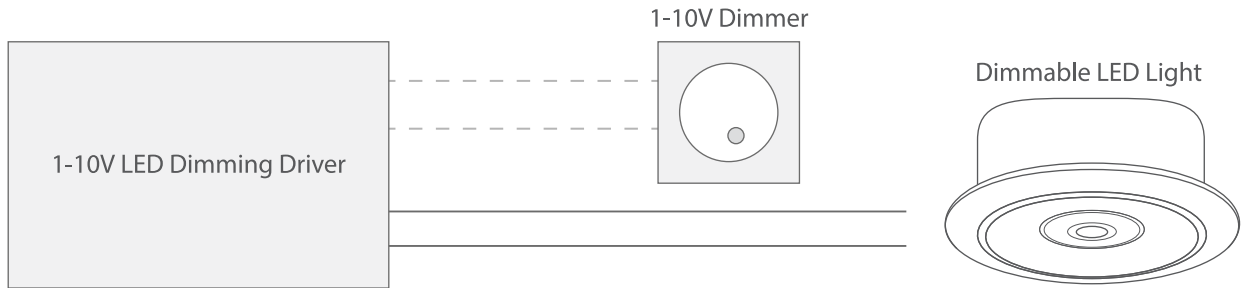


### Wiring Diagram

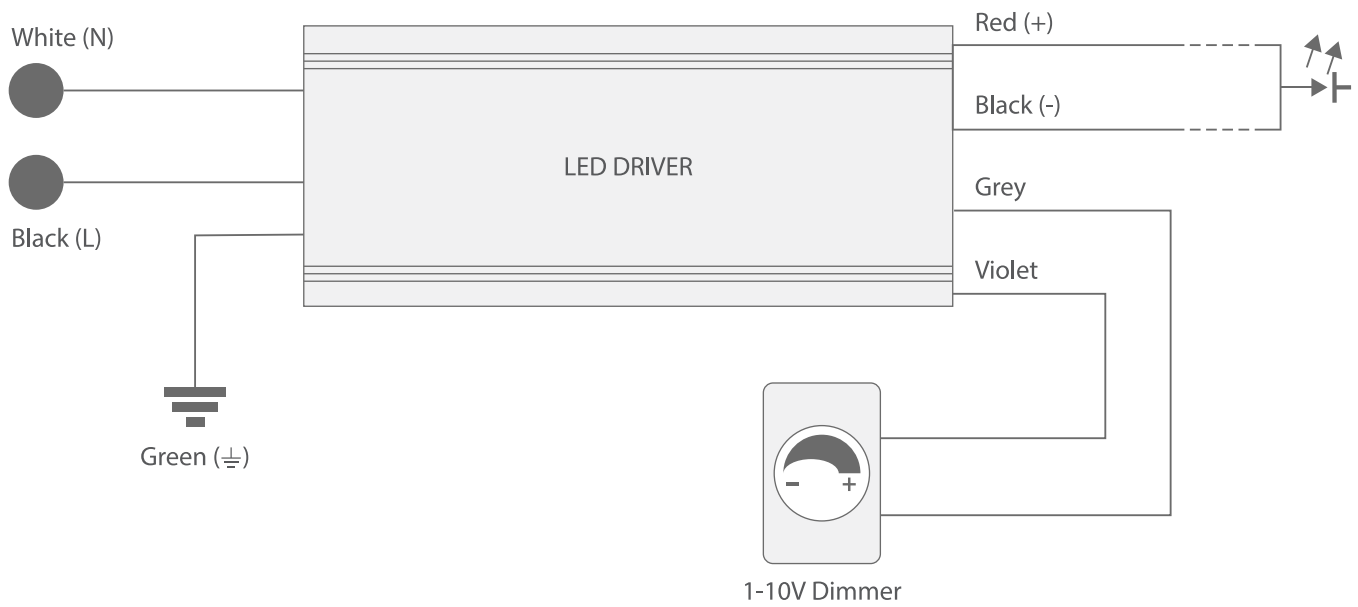


## 1-10V Dimming

1-10V Dimming has been adapted to LED loads and is a relatively popular method of lighting control. 1-10V dimming uses a controlled DC voltage signal to vary the brightness of the fitting(s). 1 is the lowest level, typically 10% of light output, and 10 is the brightest, at 100% of the light output.



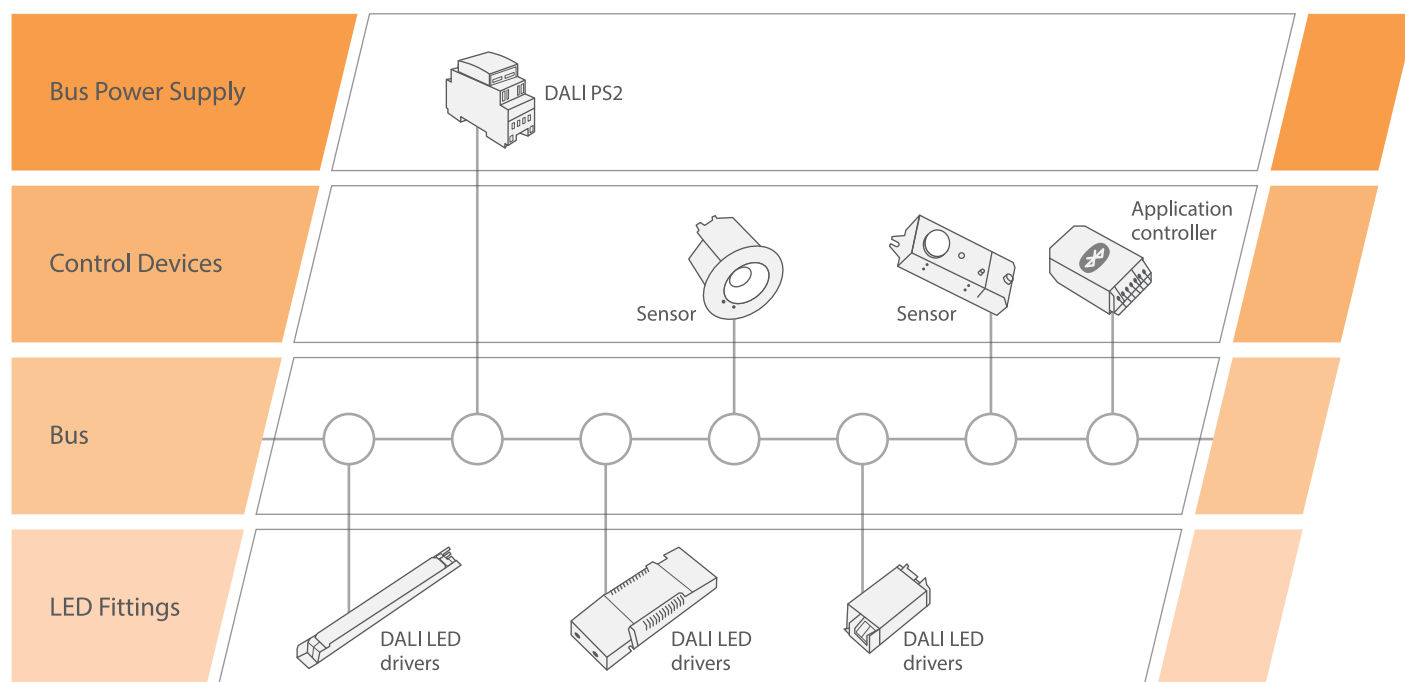
Wiring Diagram



## ■ DALI Dimming

DALI stands for Digital Addressable Lighting Interface. It is a lighting interface system that allows lighting to use a digital signal for more precise and flexible control. Using a two-way method, the system enables the user to communicate with LED drivers and ballasts, and vice versa, via a DALI controller, which is typically a computer system with software or dimming controller. DALI system consists of a controller connected to a network where every DALI LED driver and dimmable LED bulb is assigned a unique address so they can be operated individually. It should be noted that, the driver is the component that regulates current to an LED or group of LEDs, preventing them from overloading, and the bulb and driver together are known as a luminaire.

DALI System



- **Bus power supply unit (PSU)**- This component is always required. It maintains the bus voltage at the required level.
- **Control devices (Application Controller)**- The application controller is the “brains” of the system. It receives 24-bit messages from the sensors (etc) and issues 16-bit commands to the control gear. The application controller also manages the data traffic on the DALI bus, checking for collisions and re-issuing commands as necessary.
- **Input devices (Sensors, Switches etc.)**- These communicate with the application controller using 24-bit data frames. They do not communicate directly with the control devices.
- **Instances**- Often, a device such as a sensor will contain a number of separate devices within it. For example, sensors often include a movement detector (PIR), a light-level detector and an infra-red receiver. These are called instances, the single device has 3 instances. With DALI-2 each instance can belong to a different control group and each can be addressed to control different lighting groups.
- **LED Fittings**- All light fittings in a DALI installation require a DALI driver. A DALI driver can accept DALI commands directly from the DALI bus and respond accordingly. The drivers can be DALI or DALI-2 devices, but if they are not DALI-2 they will not have any of the new features introduced with this latest version.

## Emergency Kit



The EM-converter is a range of high quality 3 hour emergency lighting conversion kits designed to drive a very wide range of LED loads, circuits and applications. Standard and self-test options available.



3 hour



Emergency kit for Highbays



## LED Emergency Converter Kit Specifications

Model	DU-EMC-6
Rated Supply Voltage	220-240 VAC
Mains Frequency	50/60Hz
Max Power Consumption	5W
Standby Power	<0.8W
Emergency Output Power	6W constant power
LED Forward Voltage Range	50-300 Vdc
Max Output Voltage	310 Vdc
Emergency Rated Duration	3 hours
Battery Charging Time	<16 hours
Operating Temperature	0 to 45°C
Storage Temperature	0 to 60°C
Ta	45°C
Tc	70°C
Safety Class	II
Dimensions (HxWxL)	23.6 x 30 x 184.7mm
Battery Types	18650*Li-ion 3.6V 10000mAH

## Emergency LED Light Coding

Green LED		Red LED		Status
● ON		○ OFF		OK
○ 1Hz Flash		○ OFF		Charging
○ OFF		● ON		Battery disconnected / Duration test fault
○ 2Hz Flash		○ OFF		Function / Duration test in progress
○ OFF		○ 2Hz Flash		Battery temperature fault
○ OFF		○ 1Hz Flash		Light source fault
○ 0.5Hz flash once alternate				Remoter answer (except BAT check, AST check)

## Battery status Emergency lighting duration

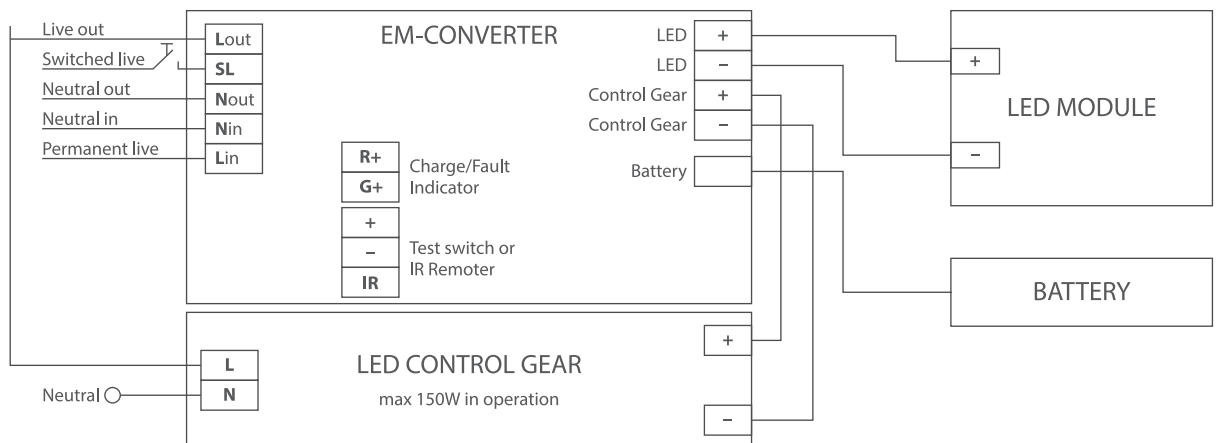
○ 0.5Hz single color flash	≥3 hours 30mins
○ 0.5Hz double color flash	(3 hours 15mins, 3 hours 30mins)
○ 0.5Hz triple color flash	(3 hours, 3 hours 15mins)
○ 0.5Hz quadropole color flash	NO TEST

## AST Check

○ 0.5Hz single color flash	Self-test is enable
○ 0.5Hz double color flash	Self-test is disable

- Slow flash= 0.5Hz (about half/second)
- Normal flash= 1Hz (about once/second)
- Fast flash= 2Hz (about twice/second)

## Converter Wiring Diagram



It is important to check that the rating of the LED driver does not exceed the values specified below:

- The maximum output current of the LED driver is 2A peak
- The maximum inrush current of the LED driver is 60A peak for 1ms or 84A for 255μs
- The maximum load of the LED driver is 150W in operation. The load must be an LED module.

## Smart Systems

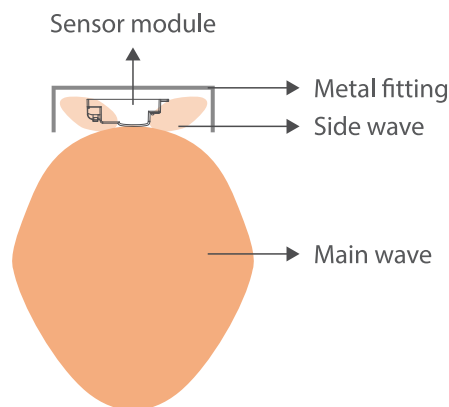
Smart Systems are "intelligent" devices or systems which capture data from their environment over integrated sensors, process the data independently using electronics and related software, and react in an appropriate way to the signal by means of an actuator.

## Sensor

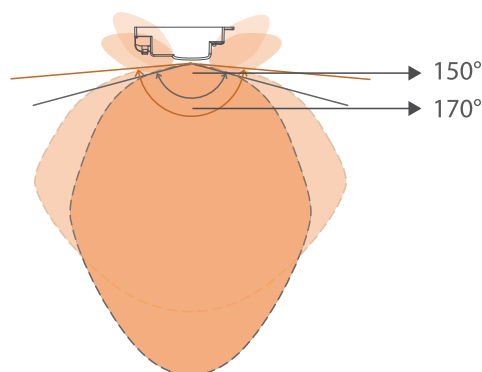
Sensor works on the principle of the Doppler effect. The sensor emits a signal at a 5.8GHz high frequency and receives its echo. If a movement in the detection zone changes the echo pattern, the sensor responds and switches the light on. In addition, due to the built-in daylight sensor, it can also read the lights level. The sensor will not switch on the light if there is sufficient natural light.

## Microwave Motion Sensors

Microwave Motion Sensors are active motion detectors for luminaires. Besides the automatic ON-OFF control, it offers a wide range of microwave motion sensors with more energy-saving functions, Microwave detection includes two parts called main wave and side wave. Main wave normally detects the motion signal. Side wave does not effect motion detection but might disturb main wave if the microwave motion sensor is built-in a sealed metal luminaire as microwave can not pass through metal. When the microwave module is built into a metal lighting luminaire or installed in a sensor near a wall, the side wave will be reflected by the metal base or the wall. It can disturb the main wave. As the result of this, the microwave motion sensor might not perform optimally. Reducing the detection sensitivity or the side wave will help to solve such problems.



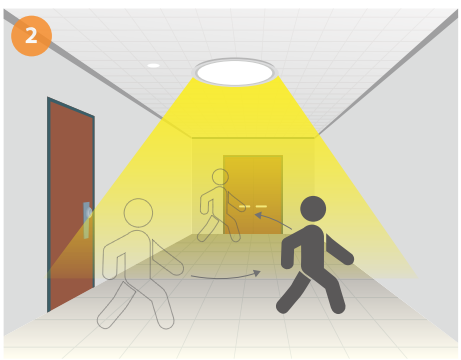
In order to make the sensor detection more stable, default microwave module detecting angle is  $150^\circ$ , so the detection area is normally a 6-8m radius. If the customer requires a larger detecting angle, it can be customized to  $170^\circ$ . In the mean time, the mounting height will be shorter and it may cause unexpected detecting on the ceiling.



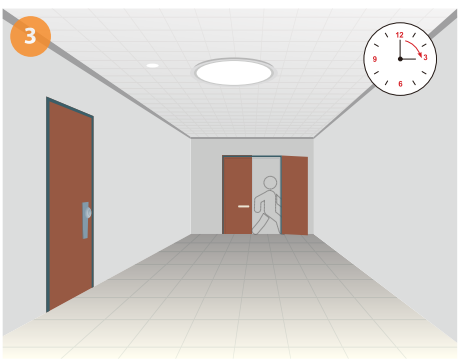
## On/Off Function



1 With sufficient ambient light, the light will not be switched on.



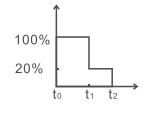
2 With insufficient ambient light, the sensor switches on the light when motion is detected.



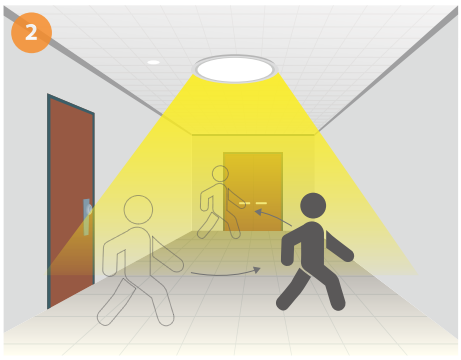
3 After elapse of stand-by period, the sensor switches off the light if no motion is detected in the detection zone.

## Dimming Function

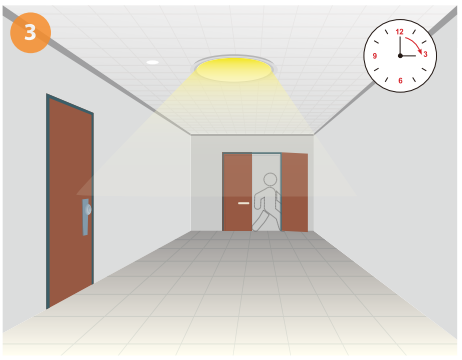
AC operation/DC operation/Sensor Dim LED driver



1 If there is no motion detected, the light will be remained at a low light level all the time.



2 When motion is detected, the sensor will switch on the light to 100% brightness.



3 After elapse of hold time, the sensor dims the light at the present low light level if no motion is detected.



# SWITCHES



MOD CLICK Range

SWITCHES



#### Product Features

- Elegant design
- Acrylic material panel
- Push button with blue LED indicator
- Easy installation
- Different colors are available



**MC-001B**  
10Amp 1 gang 1 way switch  
86mm x 90mm



**MC-002B**  
10Amp 1 gang 2 way switch  
86mm x 90mm



**MC-003B**  
10Amp 2 gang 1 way switch  
86mm x 90mm



**MC-004B**  
10Amp 2 gang 2 way switch  
86mm x 90mm



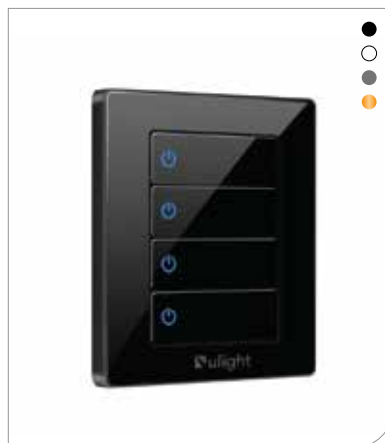
**MC-005B**  
10Amp 3 gang 1 way switch  
86mm x 90mm



**MC-006B**  
10Amp 3 gang 2 way switch  
86mm x 90mm



**MC-007B**  
10Amp 4 gang 1 way switch  
86mm x 90mm



**MC-008B**  
10Amp 4 gang 2 way switch  
86mm x 90mm



**MC-013B**  
20Amp Switch  
86mm x 90mm



**MC-014B**  
45Amp Switch  
86mm x 90mm



**MC-050B**  
10 Amp 1 gang Multi-Functioned  
Socket  
86mm x 90mm



**MC-051B**  
13 Amp 1 gang Multi-Functioned  
Switched Socket  
86mm x 90mm



**MC-052B**  
13 Amp 1 gang Switched Socket  
86mm x 90mm



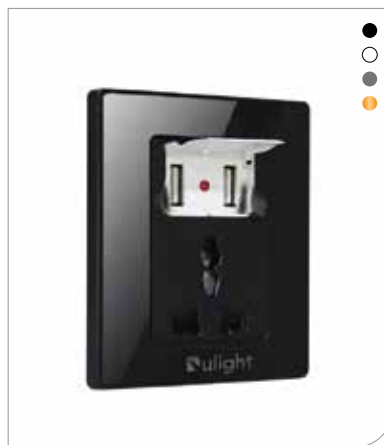
**MC-053B**  
15 Amp 1 gang Switched Round  
Pin Socket  
86mm x 90mm



**MC-151B**  
13 Amp 2 gang Multi-Functioned  
Switched Socket  
146mm x 90mm



**MC-152B**  
13 Amp 2 gang Switched Socket  
146mm x 90mm



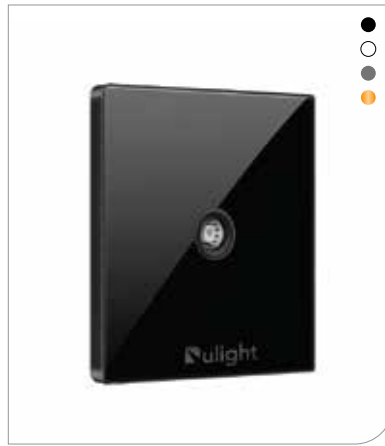
**MC-054B**  
13 Amp Multi-Functioned Socket  
with USB  
86mm x 90mm



**MC-112B**  
Fan Speed Control  
86mm x 90mm



**MC-113B**  
Dimmer switches  
86mm x 90mm



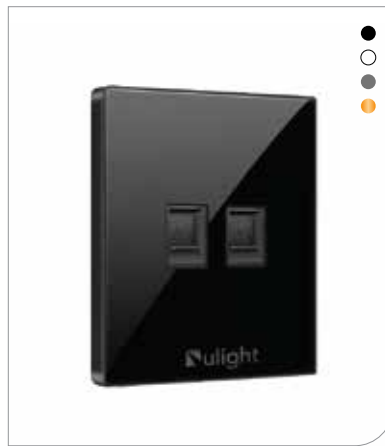
**MC-121B**  
TV Socket Single Outlet  
86mm x 90mm



**MC-122B**  
TV Socket Twin Outlet  
86mm x 90mm



**MC-124B**  
Telephone Socket Single Outlet  
86mm x 90mm



**MC-125B**  
Telephone Socket Twin Outlet  
86mm x 90mm



**MC-130B**  
Internet Socket Single Outlet  
86mm x 90mm



**MC-131B**  
Internet Socket Twin Outlet  
86mm x 90mm



**MC-126B**  
Telephone + TV Socket Outlet  
86mm x 90mm



**MC-133B**  
Internet + TV Socket Outlet  
86mm x 90mm



**MC-127B**  
Telephone + Internet Socket Outlet  
86mm x 90mm



**MC-128B**  
1 Gang Blank Plate  
86mm x 90mm



**MC-001S**  
10 Amp 1 gang 1 way Switch  
86mm x 90mm



**MC-002S**  
10 Amp 1 gang 2 way Switch  
86mm x 90mm



**MC-003S**  
10 Amp 2 gang 1 way Switch  
146mm x 90mm



**MC-004S**  
10 Amp 2 gang 2 way Switch  
146mm x 90mm



**MC-005S**  
10 Amp 3 gang 1 way Switch  
86mm x 90mm



**MC-006S**  
10 Amp 3 gang 2 way Switch  
86mm x 90mm



**MC-007S**  
10 Amp 4 Gang 1 Way Switch  
86mm x 90mm



**MC-008S**  
10 Amp 4 Gang 2 Way Switch  
86mm x 90mm



**MC-013S**  
20 Amp Switch  
86mm x 90mm



**MC-014S**  
45 Amp Switch  
86mm x 90mm



**MC-050S**  
10 Amp 1 gang Multi-Functioned  
Socket  
86mm x 90mm



**MC-051S**  
13 Amp 1 gang Multi-Functioned  
Switched Socket



**MC-052S**  
13 Amp 1 gang Switched Socket  
86mm x 90mm



**MC-053S**  
15 Amp 1 gang Switched Round  
Pin Socket  
86mm x 90mm



**MC-151S**  
13 Amp 2 gang Multi-Functioned  
Switched Socket with Neon  
86mm x 90mm



**MC-152S**  
13 Amp 2 gang Switched Socket  
with Neon  
146mm x 90mm



**MC-054S**  
13 Amp Multi-Functioned Socket  
with USB  
86mm x 90mm



**MC-112S**  
Fan Speed Control Switch  
86mm x 90mm



**MC-113S**  
Dimmer Switch  
86mm x 90mm



**MC-121S**  
TV Socket Single Outlet  
86mm x 90mm



**MC-122S**  
TV Socket Twin Outlet  
146mm x 90mm



**MC-124S**  
Telephone Socket Single Outlet  
146mm x 90mm



**MC125S**  
Telephone Socket Twin Outlet  
86mm x 90mm



**MC-130S**  
Internet Socket Single Outlet  
86mm x 90mm



**MC-1315**  
Internet Socket Twin Outlet  
86mm x 90mm



**MC-126S**  
Telephone + TV Socket Outlet  
86mm x 90mm



**MC-133S**  
Internet + TV Socket Outlet  
86mm x 90mm



**MC-127S**  
Telephone + Internet Socket Outlet  
86mm x 90mm



**MC-128S**  
1 Gang Blank Plate  
86mm x 90mm



*Elegance Range* **SWITCHES**

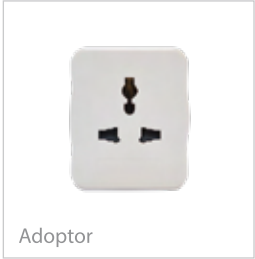


**Product Features**

- Elegant design with no screws
- Different colors are available
- Polycarbonate material



**Electrical Accessories**





**C301**  
10Amp 1 gang 1 way switch  
86.5 x 86.5mm



**C302**  
10Amp 1 gang 2 way switch  
86.5 x 86.5mm



**C313**  
10Amp 1 gang 2 way  
intermediate switch  
86.5 x 86.5mm



**C314**  
10Amp 1 gang 2 way IP switch  
86.5 x 86.5mm



**C303**  
10Amp 2 gang 1 way switch  
86.5 x 86.5mm



**C304**  
10Amp 2 gang 2 way switch  
86.5 x 86.5mm



**C305**  
3 gang 1 way switch  
86.5 x 86.5mm



**C306**  
3 gang 2 way switch  
86.5 x 86.5mm



**C363**  
10Amp 4 gang 1 way switch (3x3)  
86.5 x 86.5mm



**C364**  
10Amp 4 gang 2 way switch (3x3)  
86.5 x 86.5mm



**C301W**  
10Amp 1 gang 1 way switch  
(wide dolly)  
86.5 x 86.5mm



**C302W**  
10Amp 1 gang 2 way switch  
(wide dolly)  
86.5 x 86.5mm



**C303W**  
10Amp 2 gang 1 way switch  
(wide dolly)  
86.5 x 86.5mm



**C304W**  
10Amp 2 gang 2 way switch  
(wide dolly)  
86.5 x 86.5mm



**C305W**  
10Amp 3 gang 1 way switch  
(wide dolly)  
86.5 x 86.5mm



**C306W**  
10Amp 3 gang 2 way switch  
(wide dolly)  
86.5 x 86.5mm



**C363W**  
10Amp 4 gang 1 way switch  
(3 x 3) (wide dolly)  
86.5 x 86.5mm



**C364W**  
10Amp 4 gang 2 way switch  
(3 x 3) (wide dolly)  
86.5 x 86.5mm



**C307**  
 10Amp 4 gang 1 way switch (3x6)  
 86.5 x 146.5mm



**C308**  
 10Amp 4 gang 2 way switch (3x6)  
 86.5 x 146.5mm



**C309**  
 10Amp 6 gang 1 way switch  
 86.5 x 146.5mm



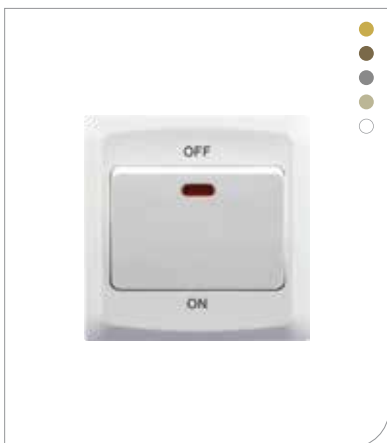
**C310**  
 10Amp 6 gang 2 way switch  
 86.5 x 146.5mm



**C365**  
 10Amp 5 gang 1 way switch (3x3)  
 86.5 x 86.5mm



**C366**  
 10Amp 5 gang 2 way switch (3x3)  
 86.5 x 86.5mm



**C324W**  
 20A 1 gang double pole switch  
 + neon (wide dolly)  
 86.5 x 86.5mm



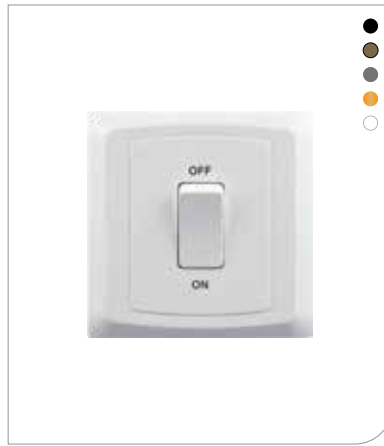
**C327**  
 45A 1 gang double pole switch  
 + neon single plate  
 86.5 x 86.5mm



**C324**  
 20A 1 gang  
 double pole switch+neon  
 86.5 x 86.5mm



**C325**  
20A 1 gang double pole switch  
86.5 x 86.5mm



**C328**  
45A 1 gang double pole switch  
single plate  
86.5 x 86.5mm



**C330**  
45A 1 gang double pole switch  
double plate  
86.5 x 146.5mm



**C329**  
45A 1 gang double pole switch  
+ neon, double plate  
86.5 x 146.5mm



**C331**  
45A switch + neon + 13A switched  
socket + neon  
86.5 x 146.5mm



**C332**  
45A switch + 13A switched socket  
86.5 x 146.5mm



**C317**  
10A bell switch (bell)  
86.5 x 86.5mm



**C317W**  
10A bell switch (bell)  
86.5 x 86.5mm



**C322**  
Key switch  
86.5 x 86.5mm



**C316**  
10A bell switch (press)  
86.5 x 86.5mm



**C360**  
10A bell switch (lamp)  
86.5 x 86.5mm



**C318**  
10A bell switch (press) + neon  
86.5 x 86.5mm



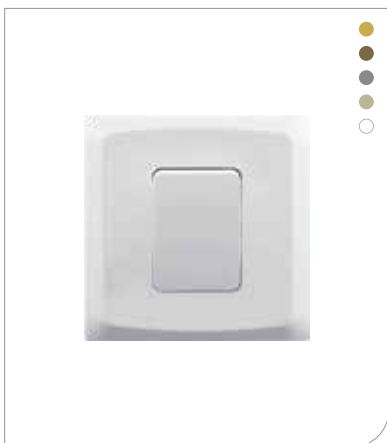
**C319**  
10A bell switch (bell) + neon  
86.5 x 86.5mm



**C361**  
10A bell switch (lamp) + neon  
86.5 x 86.5mm



**C311**  
1 gang 1 way 3 pole fan switch  
86.5 x 86.5mm



**C312**  
1 gang 1 way 3 pole plate switch  
86.5 x 86.5mm



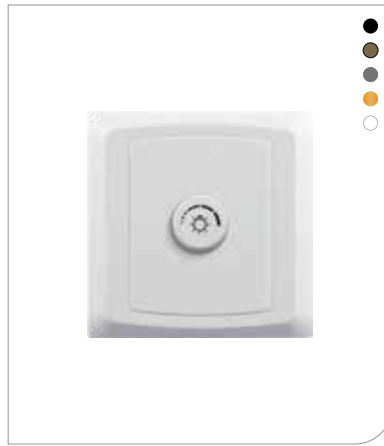
**C315**  
1 gang high-off-low switch  
86.5 x 86.5mm



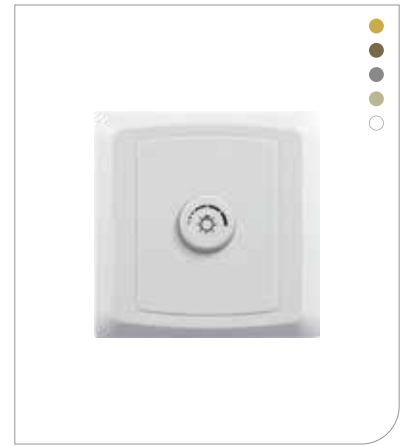
**C362**  
2 gang high-off-low switch  
86.5 x 86.5mm



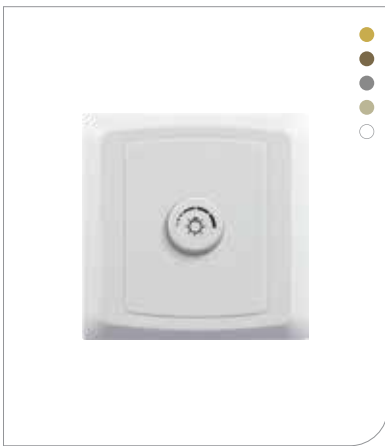
**C350**  
250W 1 gang  
dimmer switch, single pole  
86.5 x 86.5mm



**C352**  
400W 1 gang  
dimmer switch, single pole  
86.5 x 86.5mm



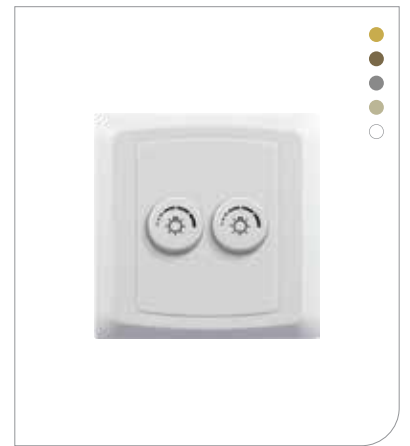
**C355**  
500W 1 gang  
dimmer switch, single pole  
86.5 x 86.5mm



**C555**  
1000W 1 gang  
dimmer switch, single pole  
86.5 x 86.5mm



**C351**  
250W 1 gang speed switch  
86.5 x 86.5mm



**C353**  
250W 2 gang  
dimmer switch, single pole  
86.5 x 86.5mm



**C354**  
400W 2 gang  
dimmer switch, single pole  
86.5 x 86.5mm



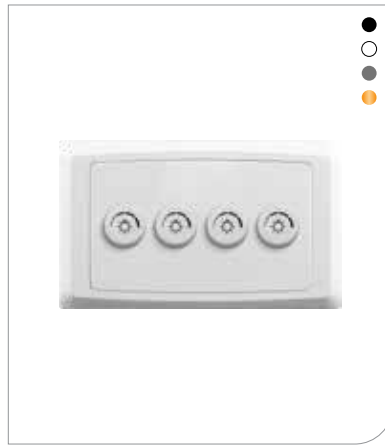
**C356**  
500W 2 gang  
dimmer switch, single pole  
86.5 x 86.5mm



**C556**  
1000W 2 gang  
dimmer switch single pole  
86.5 x 146.5mm



**C357**  
500W 3 gang  
dimmer switch single pole  
86.5 x 146.5mm



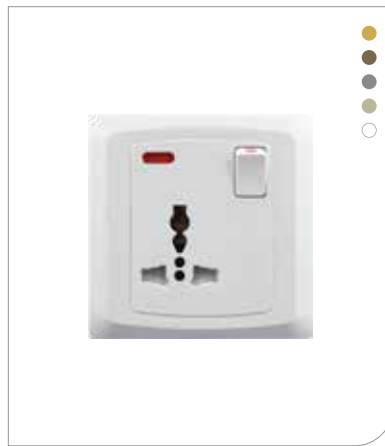
**C358**  
500W 4 gang  
dimmer switch single pole  
86.5 x 146.5mm



**C405**  
13A 1 gang switched socket  
single pole  
86.5 x 86.5mm



**C409**  
13A 1 gang switched  
socket double pole  
86.5 x 86.5mm



**C407M**  
13A 1 gang multi-function  
switched socket, single pole + neon  
86.5 x 86.5mm



**C450**  
13A 1 gang switched  
socket single pole + USB  
86.5 x 86.5mm



**C403**  
13A 1 gang  
unswitched socket  
86.5 x 86.5mm



**C407**  
13A 1 gang switched socket  
single pole + neon  
86.5 x 86.5mm



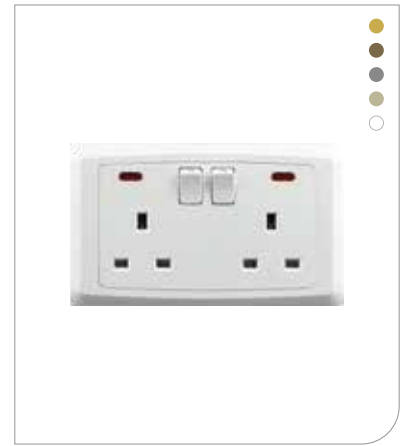
**C411**  
13A 1 gang switched socket  
double pole + neon  
86.5 x 86.5mm



**C404**  
13A 2 gang unswitched socket  
86.5 x 146.5mm



**C408**  
13A 2 gang switched  
socket, single pole + neon  
86.5 x 146.5mm



**C412**  
13A 2 gang switched  
socket, double pole + neon  
86.5 x 146.5mm



**C406**  
13A 2 gang  
switched socket, single pole  
86.5 x 146.5mm



**C410**  
13A 2 gang  
switched socket, double pole  
86.5 x 146.5mm



**C430**  
5A 1 gang switched  
round-pin socket + neon  
86.5 x 86.5mm



**C431**  
15A 1 gang switched  
round-pin socket + neon  
86.5 x 86.5mm



**C428**  
5A 1 gang switched  
round-pin socket  
86.5 x 86.5mm



**C429**  
15A 1 gang switched  
round-pin socket  
86.5 x 86.5mm



**C426**  
5A 1 gang round-pin socket  
86.5 x 86.5mm



**C427**  
15A 1 gang round-pin socket  
86.5 x 86.5mm



**C455**  
2A 1 gang round-pin socket  
86.5 x 86.5mm



**C529**  
15A 2 gang switched  
round-pin socket  
86.5 x 146.5mm



**C419**  
13A switched FCU's + neon  
86.5 x 86.5mm



**C420**  
5A switched FCU's + neon  
86.5 x 86.5mm



**C421**  
3A switched FCU's + neon  
86.5 x 86.5mm



**C519**  
13A switched FCU's + neon  
slim plate  
86.5 x 86.5mm



**C413**  
13A fused connection unit + neon  
86.5 x 86.5mm



**C414**  
5A fused connection unit + neon  
86.5 x 86.5mm



**C415**  
3A fused connection unit + neon  
86.5 x 86.5mm



**C416**  
13A fused connection unit  
86.5 x 86.5mm



**C417**  
5A fused connection unit  
86.5 x 86.5mm



**C418**  
3A fused connection unit  
86.5 x 86.5mm



**C422**  
13A switched FCU's  
86.5 x 86.5mm



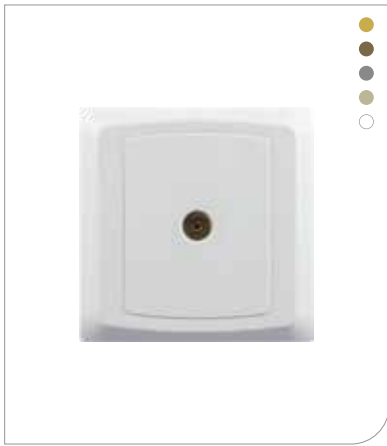
**C423**  
5A switched FCU's  
86.5 x 86.5mm



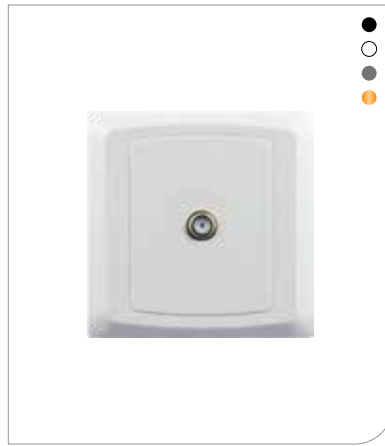
**C424**  
3A switched FCU's  
86.5 x 86.5mm



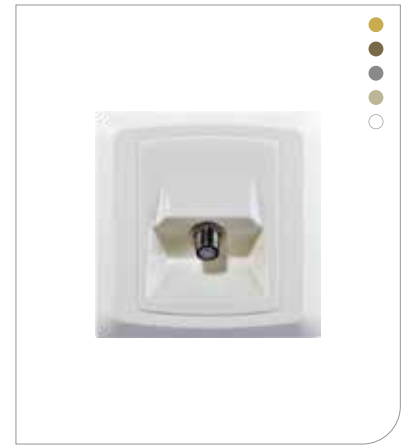
**C434**  
Isolated coaxial socket single outlet  
86.5 x 86.5mm



**C435**  
Isolated coaxial socket  
single outlet + one branch  
86.5 x 86.5mm



**C166**  
Single satellite socket  
86.5 x 86.5mm



**C165**  
Single satellite socket  
86.5 x 86.5mm



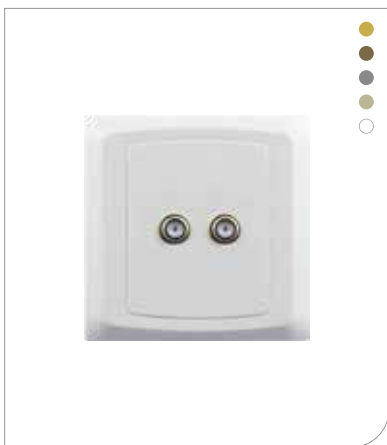
**C433**  
Coaxial socket, twin outlet  
86.5 x 86.5mm



**C436**  
Isolate coaxial socket, twin outlet  
86.5 x 86.5mm



**C437**  
Isolate coaxial socket,  
twin outlet + one branch  
86.5 x 86.5mm



**C167**  
Satellite socket and  
isolated coaxial socket  
86.5 x 86.5mm



**C168**  
Double satellite socket  
86.5 x 86.5mm



**C432**  
Coaxial socket single outlet  
86.5 x 86.5mm



**C445**  
16A 1 gang multi-function socket  
+ 20A single pole switch  
86.5 x 86.5mm



**C446**  
16A 1 gang multi-function socket  
+ 20A double pole switch  
86.5 x 86.5mm



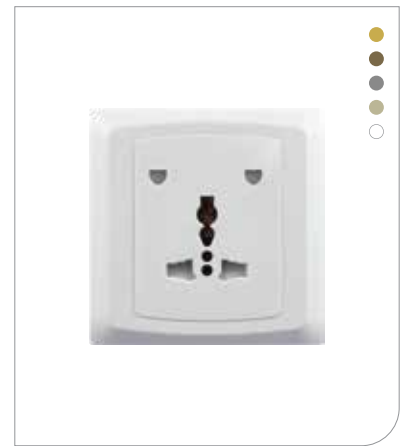
**C444**  
16A 2 gang multi-function socket  
86.5 x 86.5mm



**C460**  
16A 1 gang multi-function socket  
86.5 x 86.5mm



**C461**  
16A 1 gang multi-function  
socket with earth  
86.5 x 86.5mm



**C449**  
127V/220V voltage socket  
86.5 x 86.5mm



**C458**  
Shaver socket  
86.5 x 146.5mm



**C440**  
2 gang telephone socket,  
Secondary  
86.5 x 86.5mm



**C441**  
2 gang telephone socket, master  
86.5 x 86.5mm



**C443**  
2 gang RJ45 data socket  
(8 terminal)  
86.5 x 86.5mm



**C463**  
2 gang RJ11 data socket  
(6 terminal)  
86.5 x 86.5mm



**C465**  
2 gang RJ11 data socket  
(4 terminal)  
86.5 x 86.5mm



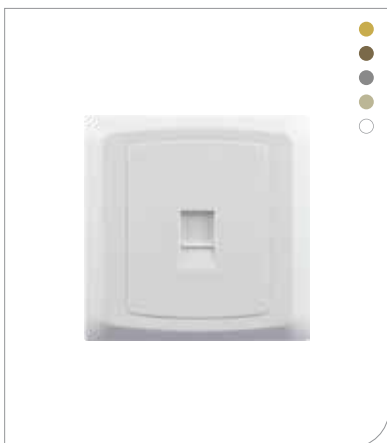
**C438**  
1 gang telephone socket,  
secondary  
86.5 x 86.5mm



**C439**  
1 gang telephone socket,  
master  
86.5 x 86.5mm



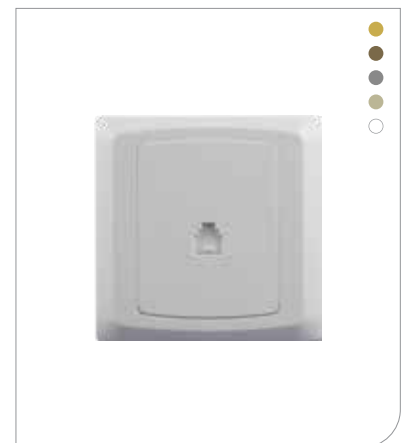
**C442**  
1 gang RJ45 data socket  
(8 terminal)  
86.5 x 86.5mm



**C462**  
1 gang RJ11 data socket  
(6 terminal)  
86.5 x 86.5mm



**C464**  
1 gang RJ11 data socket  
(4 terminal)  
86.5 x 86.5mm



**C452**  
Telephone socket  
86.5 x 86.5mm



**C820**  
20A connection plate  
86.5 x 86.5mm



**C821**  
45A connection plate  
86.5 x 86.5mm



**C401**  
1 gang blank plate  
86.5 x 86.5mm



**C402**  
2 gang blank plate  
86.5 x 146.5mm





**SILK**

**SWITCHES**



Silk Range switches are designed to accommodate the needs of high-end residential and commercial markets. Silk Range switches and power outlets are made of stainless steel material with a brushed finish. This brushed stainless steel switch has a slim design with softly rounded corners, that will complement just about any style of interior decor. The stainless steel model provides a premium style finish that is ideal for the high-end projects like; VIP villas, hotels and hospitals. Front plates are fixed to the mounting plates by means of clips, which provides easy installation, leaving no gap between the face plate and the mounting frames. Mounting plate frames are made up of iron material which does not form any finger spots and will also not rust after its usage. Plugs are made with Earth Pin Operated shutters, which eliminate the chances of electrical accidents that may occur if its kept open. Base is made up of fire resistant and high-temperature resistant material. Due to this special design and material, it can tolerate work in high-temperatures. Contact material is made up with high conductor phosphor copper and silver alloy, they are used inside the contact material, which ensures consistent operational integrity; durability, reliability and provides good electrical conductivity. Connection terminals are made of highly-efficient brass conductor material.

### Product Features

- Screw-less Design with Stainless steel panel
- Frontplate clips securely onto mounting frame
- Earth pin operated shutters
- Special design to reduce temperature rise
- Easy Installation

### Applications



Hotels



Hospitals



VIP Villas



Cavity Box



Metal Box



### GENTLE TOUCH FEELING

Stainless steel material, resisting high-temperature and scratch damage

### BASE

PC base material, fire and high temperature resistant



### ENVIRONMENT FRIENDLY SILVER ALLOY

Silver Alloy inside contact material- antioxidant; durable, environment friendly and electrical conductivity



**DF301S**  
10A 1 gang 1 way switch  
86 x 86mm



**DF302S**  
10A 1 gang 2 way switch  
86 x 86mm



**DF305S**  
10A 2 gang 1 way switch  
86 x 86mm



**DF305S**  
10A 3 gang 1 way switch  
86 x 86mm



**DF363S**  
10A 4 gang 1 way switch  
86 x 86mm



**DF317S**  
10A bell switch (bell)  
86 x 86mm



**DF407S**  
13A 1 gang switched socket  
single pole + neon  
86 x 86mm



**DFC408S**  
13A 2 gang switched socket  
single pole + neon  
86 x 146mm



**DF429S**  
15A 1 gang switched  
round pin socket  
86 x 86mm



**DF405S**  
13A 1 gang switched socket  
86 x 86mm



**DF442S**  
1 gang RJ45 data socket  
(8 terminal)  
86 x 86mm

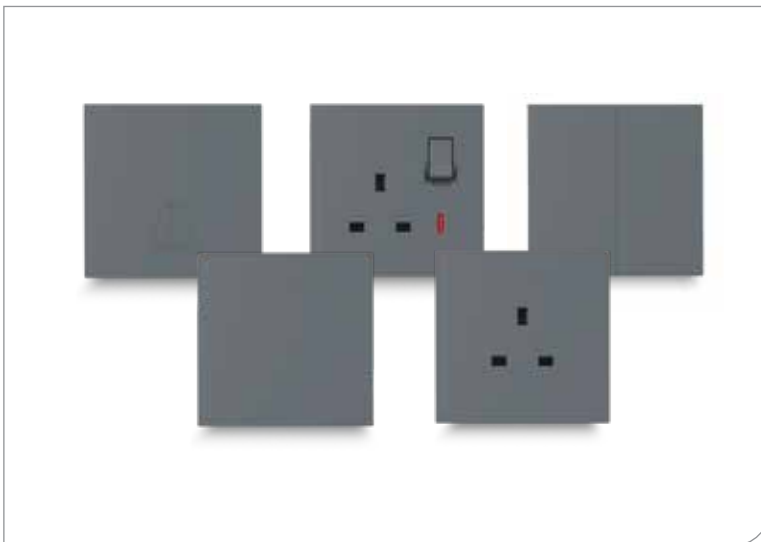


**DF166S**  
1 gang satellite socket  
86 x 86mm



Trimless Range

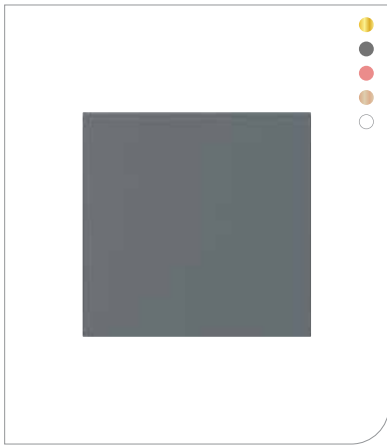
SWITCHES



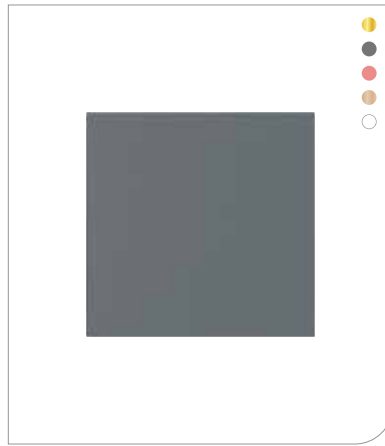
#### Product Features

- Screwless switch design
- Different colors are available
- Polycarbonate material

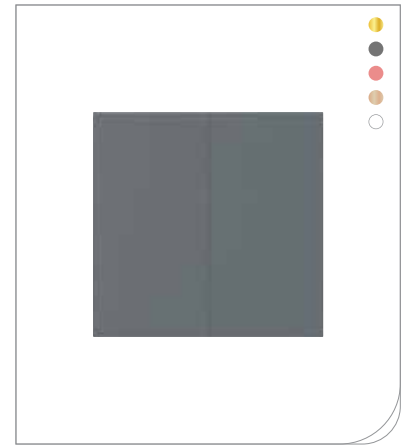




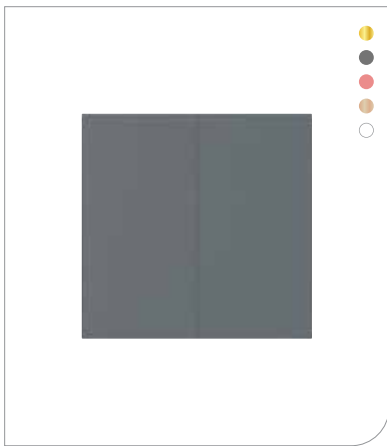
**T301**  
16A 1 gang 1 way switch  
86.5 x 86.5mm



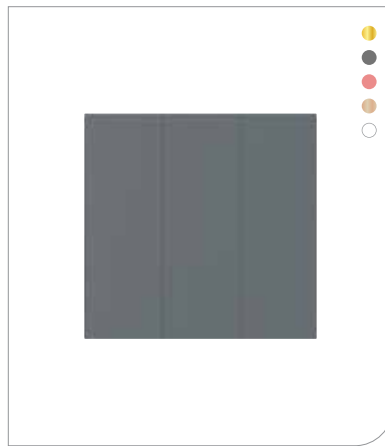
**T302**  
16A 1 gang 2 way switch  
86.5 x 86.5mm



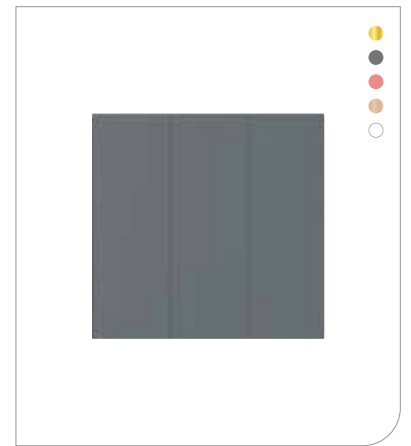
**T303**  
16A 2 gang 1 way switch  
86.5 x 86.5mm



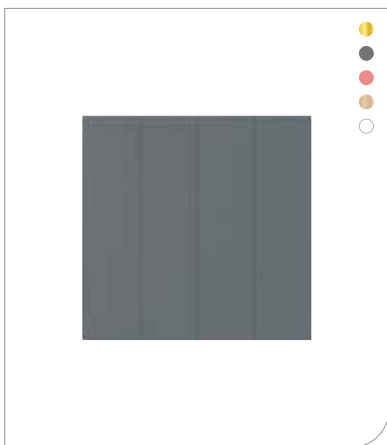
**T304**  
16A 2 gang 2 way switch  
86.5 x 86.5mm



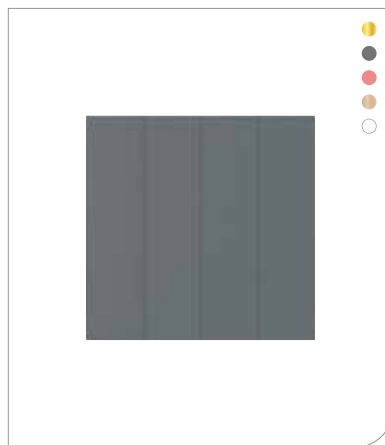
**T305**  
16A 3 gang 1 way switch  
86.5 x 86.5mm



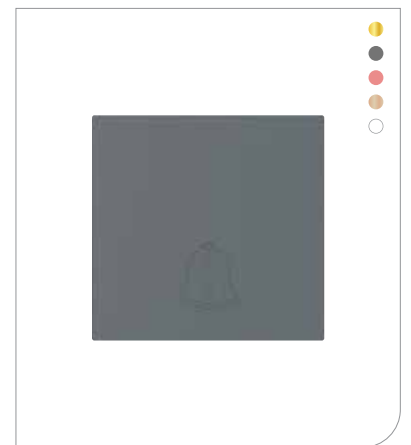
**T306**  
16A 3 gang 2 way switch  
86.5 x 86.5mm



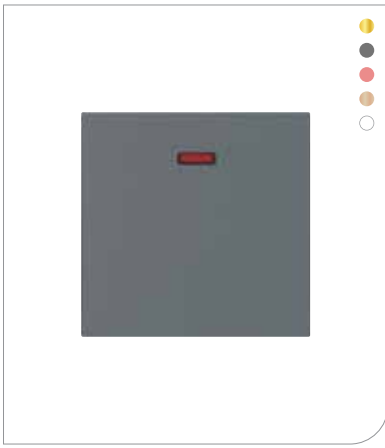
**T363**  
16A 4 gang 1 way switch  
86.5 x 86.5mm



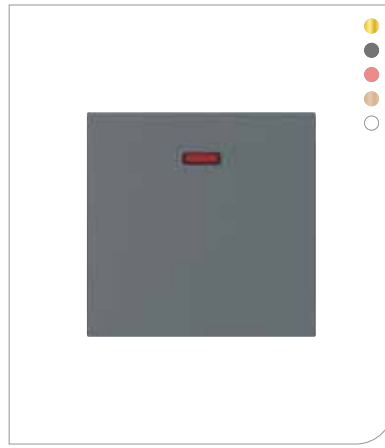
**T364**  
16A 4 gang 2 way switch  
86.5 x 86.5mm



**T317**  
16A Doorbell switch  
86.5 x 86.5mm



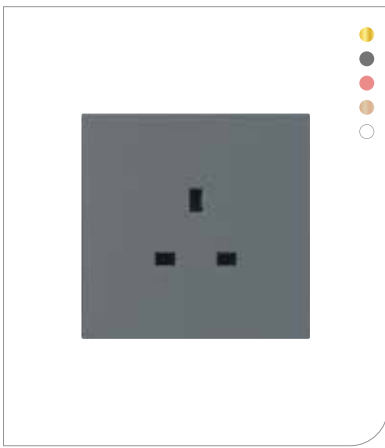
**T324**  
20A Switch with neon double pole  
86.5 x 86.5mm



**T326**  
30A Switch with neon double pole  
86.5 x 86.5mm



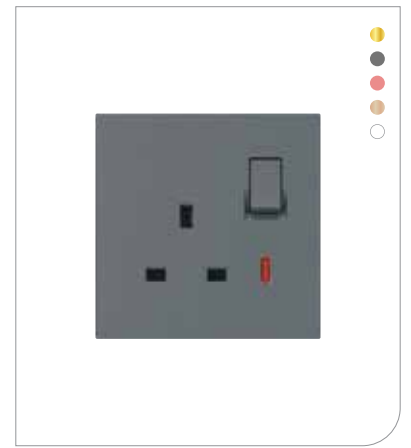
**T327**  
42A Switch with neon double pole  
86.5 x 86.5mm



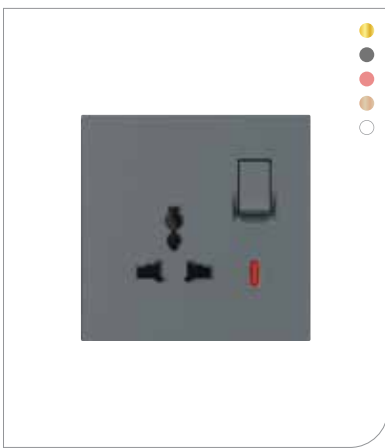
**T403**  
13A Socket  
86.5 x 86.5mm



**T402**  
5pin universal socket  
86.5 x 86.5mm



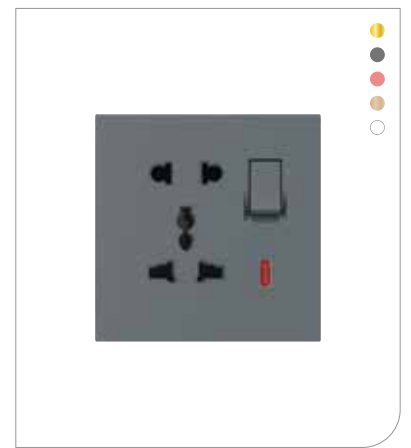
**T409**  
13A Switched socket  
with neon double pole  
86.5 x 86.5mm



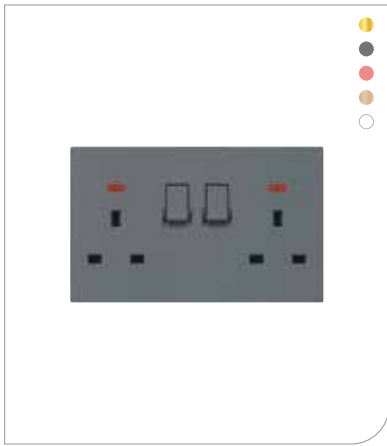
**T407M**  
Switched 3pin universal socket  
with neon single pole  
86.5 x 86.5mm



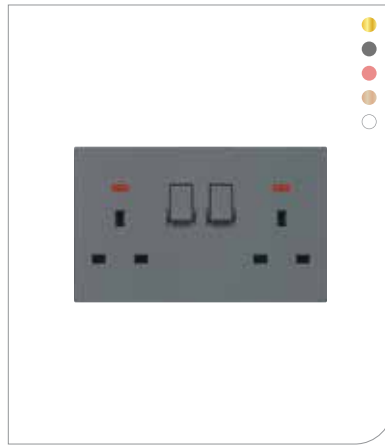
**T431**  
15A Switched round pin  
socket with neon single pole  
86.5 x 86.5mm



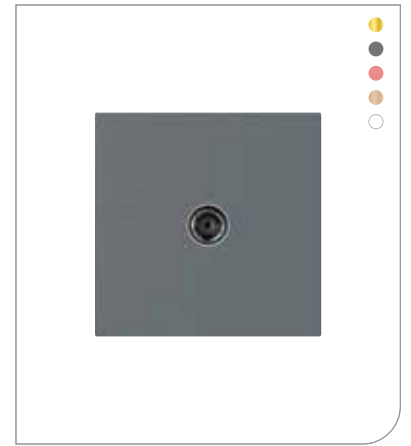
**T400**  
Switched 5 pin universal socket  
with neon  
86.5 x 86.5mm



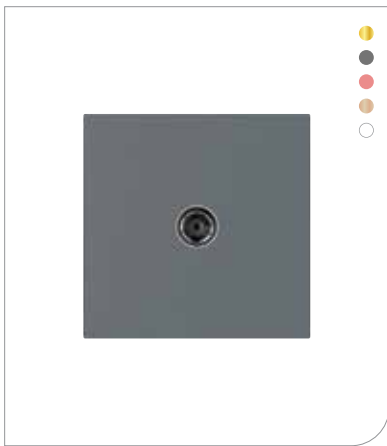
**T412**  
13A Switched with  
neon double pole  
86.5 x146.5mm



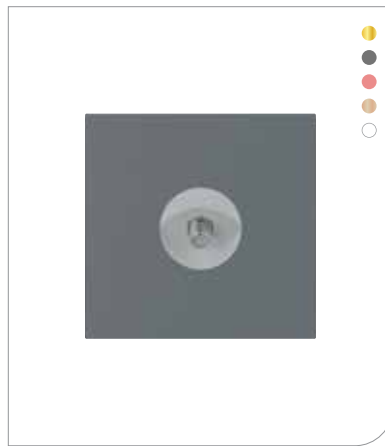
**T412U**  
Switched 3pin universal socket  
with neon  
86.5 x146.5mm



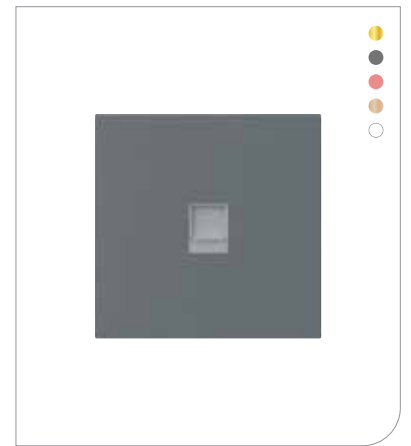
**T432**  
TV socket  
86.5 x86.5mm



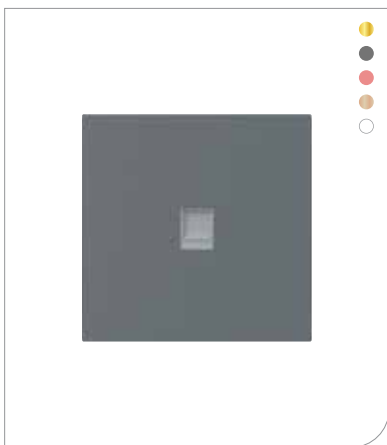
**T435**  
TV socket one-in one-out  
86.5 x86.5mm



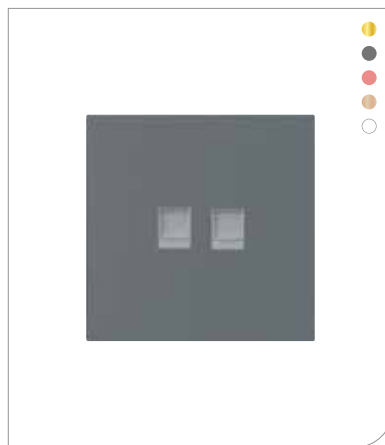
**T165**  
Satellite socket  
86.5 x86.5mm



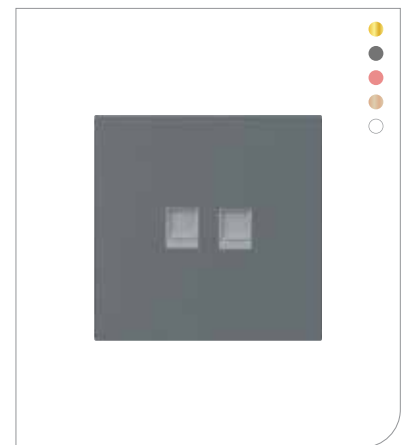
**T439**  
Computer socket  
86.5 x86.5mm



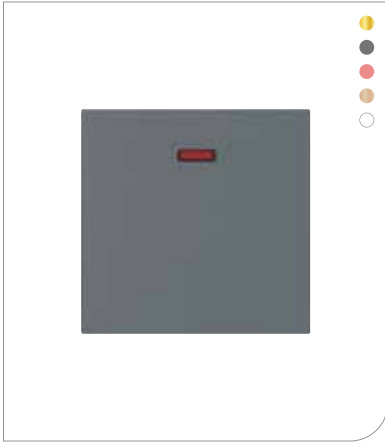
**T438**  
TEL socket  
86.5 x86.5mm



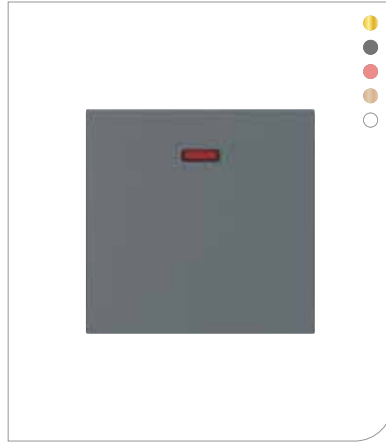
**T441**  
2 Computer socket  
86.5 x86.5mm



**T440**  
2TEL socket  
86.5 x86.5mm



**T443**  
Shaver socket  
86.5 x 86.5mm



**T442**  
2USB  
86.5 x 86.5mm



**T401**  
Blank plate  
86.5 x 86.5mm



**T402**  
Big blank plate  
86.5 x 86.5mm

# CERTIFICATES

QUANTUM TRANSPACIFIC  
ASSESSMENT CERTIFICATION



*Certificate of Registration*

This is to certify that

**DULIGHT FZE**

P.O. BOX: 262685, RA07AD08, LIU15,  
JEBEL ALI FREE ZONE, DUBAI, UAE

Has been successfully assessed &  
Conforms with the following standard

**ISO 9001:2015**

**Scope of Certification**

**VENTILATION EQUIPMENT ASSEMBLING, LIGHTING FITTING &  
FIXTURES ASSEMBLING, LAMP BASE & ACCESSORIES  
MANUFACTURING**

Certificate No.: QTAC-220220231001

Certificate Issue Date : 22-02-2023    Expiry Date : 22-02-2024  
Surveillance- 1 Date : 22-01-2024    Surveillance-2 Date : 22-01-2025



ACCREDITATION NO.GEAAC-17501  
(Accredited by Global European Accreditation Assessment Center)  
Unit 110 Mellstock Farm, Dorchester DT2 8QJ, United Kingdom

Signature of Director

**QUANTUM TRANSPACIFIC ASSESSMENT CERTIFICATION**

Bulgaria 1605 Sofia Gen E-1 Title Een 28 29, Email: [info@qisocertification.com](mailto:info@qisocertification.com), Web Site: [www.qisocertification.com](http://www.qisocertification.com)

To Check validity of the Certificate Please visit to [www.qisocertification.com](http://www.qisocertification.com)

THE CERTIFICATE REMAINS THE PROPERTY OF QUANTUM TRANSPACIFIC ASSESSMENT CERTIFICATION AND THE CERTIFICATE VALIDATION SHALL BE ENSURED BY QUANTUM TRANSPACIFIC ASSESSMENT CERTIFICATION. THIS MUST NOT BE COPIED IN WHOLE OR IN PART WITHOUT THE WRITTEN PERMISSION OF THE DIRECTOR OF QUANTUM TRANSPACIFIC ASSESSMENT CERTIFICATION.

THE VALIDITY OF CERTIFICATE IS SUBJECT TO REGULAR SURVEILLANCE AUDIT ON OR BEFORE ABOVE MENTIONED DATES AND IT'S ONLY VALID AFTER SUCCESSFUL SURVEILLANCE



QUANTUM TRANSPACIFIC  
ASSESSMENT CERTIFICATION



*Certificate of Registration*

This is to certify that the Environmental Management System of

**DULIGHT FZE**

P.O. BOX: 262685, RA07AD08, LIU15,  
JEBEL ALI FREE ZONE, DUBAI, UAE

Has been successfully assessed &  
Conforms with the following standard

**ISO 14001:2015**

**Scope of Certification**

**VENTILATION EQUIPMENT ASSEMBLING, LIGHTING FITTING &  
FIXTURES ASSEMBLING, LAMP BASE & ACCESSORIES  
MANUFACTURING**

Certificate No.: QTAC-220220231002

Certificate Issue Date : 22-02-2023    Expiry Date : 22-02-2024  
Surveillance- 1 Date : 22-01-2024    Surveillance-2 Date : 22-01-2025



ACCREDITATION NO.GEAAC-17501  
(Accredited by Global European Accreditation Assessment Center)  
Unit 110 Mellstock Farm, Dorchester DT2 8QJ, United Kingdom

Signature of Director

**QUANTUM TRANSPACIFIC ASSESSMENT CERTIFICATION**

Bulgaria 1605 Sofia Gen E-1 Title Een 28 29, Email: [info@qisocertification.com](mailto:info@qisocertification.com), Web Site: [www.qisocertification.com](http://www.qisocertification.com)

To Check validity of the Certificate Please visit to [www.qisocertification.com](http://www.qisocertification.com) / [www.geaac.com](http://www.geaac.com)  
THE CERTIFICATE REMAINS THE PROPERTY OF QUANTUM TRANSPACIFIC ASSESSMENT CERTIFICATION AND THE CERTIFICATE VALIDATION SHALL BE ENSURED BY QUANTUM TRANSPACIFIC ASSESSMENT CERTIFICATION. THIS MUST NOT BE COPIED IN WHOLE OR IN PART WITHOUT THE WRITTEN PERMISSION OF THE DIRECTOR OF QUANTUM TRANSPACIFIC ASSESSMENT CERTIFICATION.  
THE VALIDITY OF CERTIFICATE IS SUBJECT TO REGULAR SURVEILLANCE AUDIT ON OR BEFORE ABOVE MENTIONED DATES AND IT'S ONLY VALID AFTER SUCCESSFUL SURVEILLANCE



QUANTUM TRANSPACIFIC  
ASSESSMENT CERTIFICATION



*Certificate of Registration*

This is to certify that the  
Occupational Health and Safety Management System of

**DULIGHT FZE**

P.O. BOX: 262685, RA07AD08, LIU15,  
JEBEL ALI FREE ZONE, DUBAI, UAE

Has been successfully assessed &  
Conforms with the following standard

**ISO 45001:2018**

**Scope of Certification**

**VENTILATION EQUIPMENT ASSEMBLING, LIGHTING FITTING &  
FIXTURES ASSEMBLING, LAMP BASE & ACCESSORIES  
MANUFACTURING**

Certificate No.: QTAC-220220231004

Certificate Issue Date : 22-02-2023      Expiry Date : 22-02-2024  
Surveillance- 1 Date : 22-01-2024      Surveillance-2 Date : 22-01-2025



ACCREDITATION NO. GEAAC-17501  
(Accredited by Global European Accreditation Assessment Center)  
Unit 110 Mellstock Farm, Dorchester DT2 8QJ, United Kingdom

Signature of Director

**QUANTUM TRANSPACIFIC ASSESSMENT CERTIFICATION**

Bulgaria 1605 Sofia Gen E-1 Title EEN 28 29, Email: [info@qisocertification.com](mailto:info@qisocertification.com), Web Site: [www.qisocertification.com](http://www.qisocertification.com)

To Check validity of the Certificate Please visit to [www.qisocertification.com](http://www.qisocertification.com)

THE CERTIFICATE REMAINS THE PROPERTY OF QUANTUM TRANSPACIFIC ASSESSMENT CERTIFICATION AND THE CERTIFICATE VALIDATION SHALL BE ENSURED BY QUANTUM TRANSPACIFIC ASSESSMENT CERTIFICATION. THIS MUST NOT BE COPIED IN WHOLE OR IN PART WITHOUT THE WRITTEN PERMISSION OF THE DIRECTOR OF QUANTUM TRANSPACIFIC ASSESSMENT CERTIFICATION.

THE VALIDITY OF CERTIFICATE IS SUBJECT TO REGULAR SURVEILLANCE AUDIT ON OR BEFORE ABOVE MENTIONED DATES AND IT'S ONLY VALID AFTER SUCCESSFUL SURVEILLANCE





**DuLight FZE**

---

RA07AD08 , LIU15  
Jebel Ali Free Zone, Dubai, United Arab Emirates  
Tel. +971 4 8808115  
Fax +971 4 8808125  
P.O. Box 262685  
admin@dulights.com  
www.dulights.com

# Certificate of Registration



This is to certify that the Quality Management System of

**DULIGHT FZE**

P.O. BOX: 262685, RA07AD08, LIU15, JEBEL ALI FREE ZONE, DUBAI, UAE.

is in accordance with the requirements of the following standard

**ISO 9001:2015**

(Quality Management System)

## SCOPE

**MANUFACTURING OF LAMP BASE & RELATED ACCESSORIES AND  
ASSEMBLING OF VENTILATION EQUIPMENT, LIGHTING FITTING & FIXTURES**

(IAF Code: 19, 18)

Certificate Number : 251024019727

Initial Registration Date : 25-Oct-2024

1<sup>st</sup> Surveillance Date : 25-Sep-2025

2<sup>nd</sup> Surveillance Date : 25-Sep-2026

Certificate Expiry Date : 24-Oct-2027

**To verify certificate, visit at :**

[www.arscert.com](http://www.arscert.com)

[www.uafaccreditation.org](http://www.uafaccreditation.org)

[www.iafcertsearch.org](http://www.iafcertsearch.org)

Issued by ARS Assessment Private Limited

  
Managing Director



CB-MS-3923



UAF Address : 400, North Center Dr, STE 202, Norfolk, VA 23502, United States of America

This certificate remains the property of ARS and must be returned to ARS on Cancellation or Suspension of the certificate. Validity of the certificate is subject to successful completion of surveillance audits. Further clarification regarding the scope of this certificate and the applicability of standard may be obtained by consulting the Organisation on [info@arscert.com](mailto:info@arscert.com)

# Certificate of Registration



This is to certify that the Environmental Management System of

**DULIGHT FZE**

**P.O. BOX: 262685, RA07AD08, LIU15, JEBEL ALI FREE ZONE, DUBAI, UAE.**

is in accordance with the requirements of the following standard

**ISO 14001:2015**  
(Environmental Management System)

## SCOPE

**MANUFACTURING OF LAMP BASE & RELATED ACCESSORIES AND  
ASSEMBLING OF VENTILATION EQUIPMENT, LIGHTING FITTING & FIXTURES**

(IAF Code: 19, 18)

Certificate Number : 251024029728

Initial Registration Date : 25-Oct-2024

1<sup>st</sup> Surveillance Date : 25-Sep-2025

2<sup>nd</sup> Surveillance Date : 25-Sep-2026

Certificate Expiry Date : 24-Oct-2027

**To verify certificate, visit at :**

[www.arscert.com](http://www.arscert.com)

[www.uafaccreditation.org](http://www.uafaccreditation.org)

[www.iafcertsearch.org](http://www.iafcertsearch.org)

Issued by ARS Assessment Private Limited

  
Managing Director



CB-MS-3926



**UAF Address : 400, North Center Dr, STE 202, Norfolk, VA 23502, United States of America**

This certificate remains the property of ARS and must be returned to ARS on Cancellation or Suspension of the certificate. Validity of the certificate is subject to successful completion of surveillance audits. Further clarification regarding the scope of this certificate and the applicability of standard may be obtained by consulting the Organisation on [info@arscert.com](mailto:info@arscert.com)

# Certificate of Registration



This is to certify that the Occupational Health and Safety Management System of

**DULIGHT FZE**

P.O. BOX: 262685, RA07AD08, LIU15, JEBEL ALI FREE ZONE, DUBAI, UAE.

is in accordance with the requirements of the following standard

**ISO 45001:2018**

(Occupational Health and Safety Management System)

## SCOPE

**MANUFACTURING OF LAMP BASE & RELATED ACCESSORIES AND  
ASSEMBLING OF VENTILATION EQUIPMENT, LIGHTING FITTING & FIXTURES**

(IAF Code: 19, 18)

Certificate Number : 251024039729

Initial Registration Date : 25-Oct-2024

1<sup>st</sup> Surveillance Date : 25-Sep-2025

2<sup>nd</sup> Surveillance Date : 25-Sep-2026

Certificate Expiry Date : 24-Oct-2027

**To verify certificate, visit at :**

[www.arscert.com](http://www.arscert.com)

[www.uafaccreditation.org](http://www.uafaccreditation.org)

[www.iafcertsearch.org](http://www.iafcertsearch.org)

Issued by ARS Assessment Private Limited

  
Managing Director



CB-MS-3919



UAF Address : 400, North Center Dr, STE 202, Norfolk, VA 23502, United States of America

This certificate remains the property of ARS and must be returned to ARS on Cancellation or Suspension of the certificate. Validity of the certificate is subject to successful completion of surveillance audits. Further clarification regarding the scope of this certificate and the applicability of standard may be obtained by consulting the Organisation on [info@arscert.com](mailto:info@arscert.com)



كلية الفنون الجميلة والتصميم  
COLLEGE OF FINE ARTS AND DESIGN

# CERTIFICATE

OF Appreciation

Awarded to

**DuLight FZE**

For Contributing to

**“ CFAD’s Resource Library ”**

Spring 2022

A handwritten signature in black ink, appearing to read "Nadia M. Alhasani".

**Nadia M. Alhasani, PhD**  
Professor and Dean




# Panasonic

 **ANCHOR**  
by **Panasonic**

  
by **Panasonic**

---



---

## PLAQUE OF APPRECIATION

As an expression of our heartfelt gratitude  
and sincere thanks for your comittment and dedication  
in promoting brand "Panasonic" across the region.



**Kumazawa Tatsuya**  
Director – Division Head  
Eco Solutions Division



**LEDVANCE**

# DISTRIBUTORSHIP

## **LEDVANCE Middle East FZE**

Hereby certifies that the company

### **DULIGHT FZE**

PO Box 262685  
RA07AD08, LIU15  
Jebel Ali Free Zone  
Dubai - United Arab Emirates

Is one of our appointed distributors in Iraq.  
This distributorship certificate is valid until 08/08/2020.  
Date signed: 08/08/2017

Banan AL KHALAF  
Head of Sales Middle East Africa

Michelangelo ANNOVAZZI  
Chief Financial Officer



# **Panasonic**

Homes & Living

## ***Plaque of Appreciation***

to

**DuLight FZE**  
**Republic of Iraq**

as an expression of our heartfelt gratitude towards  
being the **Best Seller of Door Chime Category** in  
Middle East and Africa

Dubai, U.A.E. - 1st March 2016



-----  
Tatsuya Kumazawa  
Director- Eco Solutions Division  
Panasonic Marketing Middle East & Africa FZE

# Panasonic

 **ANCHOR**  
by **Panasonic**

  
by **Panasonic**



Plaque of Appreciation

to

**DULIGHTS FZE - IRAQ**

*as an expression of our heartfelt gratitude  
and sincere thanks for your  
comittment for being the New Emerging Distributor  
and No. 1 distributor of  
Wiring Devices outside GCC.*



*Kumazawa Tatsuya  
Director - Division Head  
Eco Solutions Division*